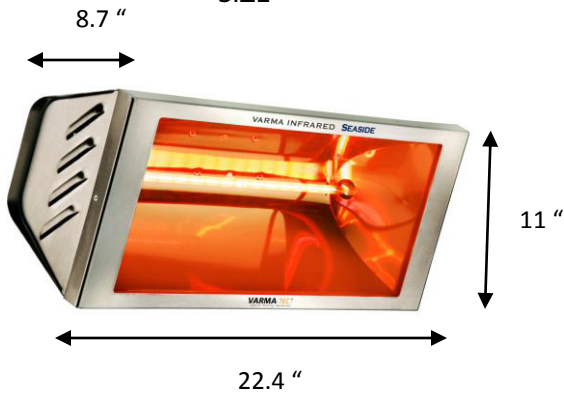


# BERNER PATIO HEATERS Halogen

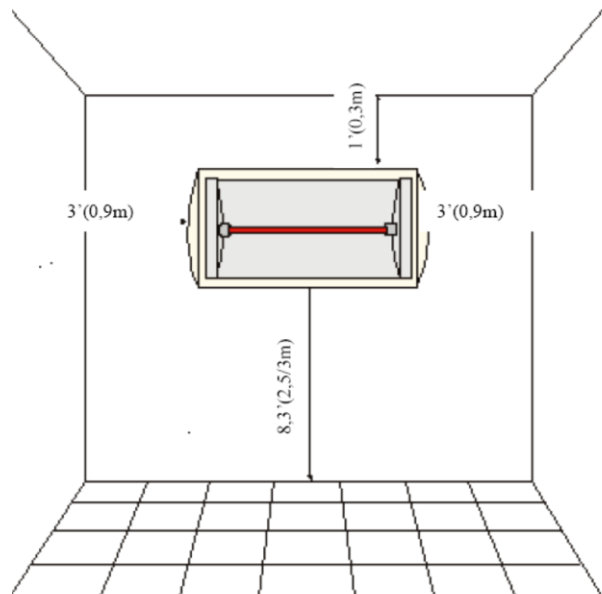
## Electric Radiant Heater

| Model: BPH-WR2000/15SS        |                          |
|-------------------------------|--------------------------|
| <u>SPECIFICATIONS</u>         | WR2000/Stainless         |
| Volts                         | 110 V                    |
| Watts                         | 1500                     |
| Amps                          | 13.64 A                  |
| BTU's                         | 5,120                    |
| Wood and Concrete Securable   | Yes                      |
| Adjustable Wall Mount Bracket | Included                 |
| Wiring                        | Hard Wire Only           |
| Cable Length                  | 10 ft                    |
| Distance Between Heaters      | 9.8 ft                   |
| Weight (lbs)                  | 14                       |
| Recommended Hanging Height    | Between 7 - 8 ft         |
| Effective Heat Coverage       | 8.3(h)x 13.1(l)x 13.1(w) |
| Finish                        | Stainless Steel          |

SIZE



CLEARANCE TO  
COMBUSTIBLES



BRACKET\_ASSEMBLY

