

For Mounting Heights To 8' (environmental separation)

#### STANDARD CONSTRUCTION

- 7 1/2" high x 13 3/4" deep
- 1/5 hp motor(s) - ten speeds
- Factory installed Intelliswitch digital controller
- Clear satin anodized aluminum exterior  
(Optional: Custom Color or Stainless)
- Wall & Top Mounting
- High efficiency, low noise Pro-V Nozzle
- Open helical element with point suspension
- Alternate kW: see sheet EP-202
- Optional: Berner AIR™ (smart controller & app), includes BACnet

**2 Year  
Limited  
Warranty**



indoor use

MODEL	Nozzle Width (in)	Max Vel. at Nozzle (fpm)	Avg. Outlet Vel. (fpm)	Air Volume (cfm)	Outlet Vel. Uniformity	Power Rating (kW)	Motor(s) @ hp	*Max Electric Capacity (kW)	Heater Output (MBH)	Air Temp. Rise (°F)	Net Wt. (lbs)
ALC08-1030E	28.00	3,100	1,777	691	89%	0.18	1 @ 1/5	7.2	24.6	33°	39
ALC08-1036E	35.25	3,600	2,116	1,036	92%	0.32	1 @ 1/5	10.0	34.1	30°	44
ALC08-1042E	41.25	3,000	2,115	1,212	93%	0.32	1 @ 1/5	10.0	34.1	26°	49
ALC08-1048E	47.25	2,800	2,104	1,381	94%	0.32	1 @ 1/5	14.4	49.1	33°	54
ALC08-1060E	59.00	3,100	2,053	1,682	95%	0.32	1 @ 1/5	14.4	49.1	27°	63
ALC08-1072E	72.50	3,600	2,058	2,072	95%	0.32	1 @ 1/5	20.0	68.3	30°	70
ALC08-2084E	84.25	3,000	2,072	2,424	93%	0.64	2 @ 1/5	20.0	68.3	26°	98
ALC08-2096E	96.25	2,800	2,066	2,762	94%	0.64	2 @ 1/5	28.8	98.3	33°	108
ALC08-2120E	119.75	3,100	2,023	3,364	95%	0.64	2 @ 1/5	28.8	98.3	27°	126

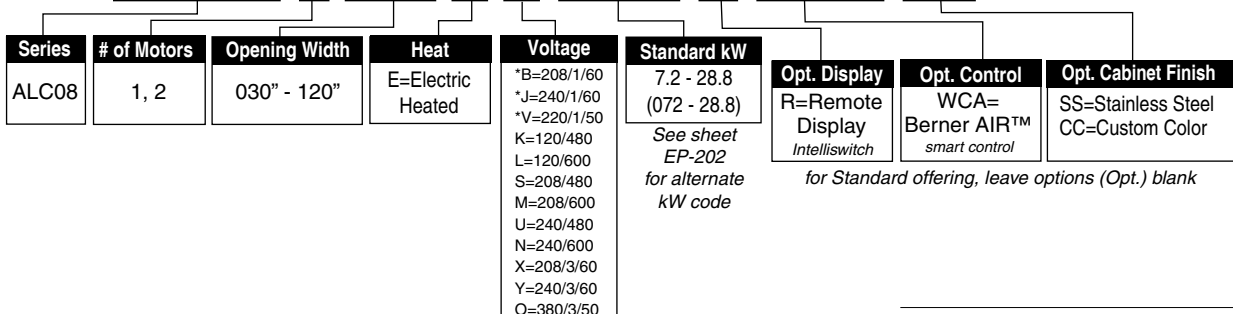
#### NOTES:

1. Operation at 50 Hz will generate approximately a 17% reduction in performance.
2. Performance data based on unheated units.
3. Single Point Power Connection – consult factory.

See sheet EP-202 for amp draws/total load requirements and alternate kW.

### MODEL NUMBER CONFIGURATION

**ALC08-1 030 E B-072 -R-WCA-SS**



\*Max 16kW  
See sheet EP-202 for available lengths and voltages

See sheet EP-202 for alternate kW code

for Standard offering, leave options (Opt.) blank

Sound level measured 10' (3m) from the unit in free field:  
1 motor: Min/Max Speed: 52/54 dBA  
2 motors: Min/Max Speed: 55/57 dBA

Berner reserves the right to alter specifications without prior notice.



# ARCHITECTURAL LOW PROFILE 8

## Electric Air Curtain

### Electrical Performance Sheet

MODEL	kW (code)	Temp Rise °F	208/1/60 (voltage code B) MOTOR AMP DRAW = 1.7 each			240/1/60 (voltage code J) or 220/1/50 (voltage code V) MOTOR AMP DRAW = 1.7 each			208/3/60 (voltage code X) MOTOR AMP DRAW = 1.7 each			240/3/60 (voltage code Y) MOTOR AMP DRAW = 1.7 each		
			# CKTS	AMPS PER CIRCUIT (including motor)	BREAKER RATING PER CIRCUIT	# CKTS	AMPS PER CIRCUIT (including motor)	BREAKER RATING PER CIRCUIT	# CKTS	AMPS PER CIRCUIT (including motor)	BREAKER RATING PER CIRCUIT	# CKTS	AMPS PER CIRCUIT (including motor)	BREAKER RATING PER CIRCUIT
ALC08-1030E	7.2 (072)	34	1	36.3	50	1	31.7	40	-	N/A	N/A	-	N/A	N/A
	5.4 (054)	25	1	27.7	35	1	24.2	35	-	N/A	N/A	-	N/A	N/A
	4 (040)	18	1	20.9	30	1	18.4	25	-	N/A	N/A	-	N/A	N/A
	3 (030)	14	1	16.1	25	1	12.5	20	-	N/A	N/A	-	N/A	N/A
ALC08-1036E ALC08-1042E	10 (100)	30	1	49.8	60	1	43.4	60	1	29.5	40	1	25.8	35
	7.5 (075)	23	1	37.8	50	1	33.0	45	1	22.5	30	1	19.7	25
	5.6 (056)	17	1	28.6	40	1	25.0	35	1	17.2	25	1	15.2	20
	4 (040)	12	1	20.9	30	-	N/A	N/A	1	12.8	20	-	N/A	N/A
ALC08-1048E ALC08-1060E	14.4 (144)	33	2	36.3/34.6	50/45	2	31.7/30.0	40/40	1	41.7	60	1	36.3	50
	10.8 (108)	25	2	27.7/26.0	35/35	1	46.7	60	1	31.7	40	1	27.7	35
	8.1 (081)	18	1	40.6	60	1	35.5	45	1	24.2	35	1	21.2	30
	5.6 (056)	13	1	28.6	40	-	N/A	N/A	1	17.2	25	-	N/A	N/A
ALC08-1072E	20 (200)	30	-	N/A	N/A	2	43.4/41.7	60/60	2	29.5/27.8	40/35	2	25.8/24.1	35/35
	15 (150)	23	2	37.8/36.1	50/50	2	33.0/31.3	45/40	1	43.3	60	1	37.8	50
	11.2 (112)	17	2	28.6/26.9	40/35	1	48.4	60	1	32.8	45	1	28.6	40
	8 (080)	12	1	40.2	60	-	N/A	N/A	1	23.9	30	-	N/A	N/A
ALC08-2084E	20 (200)	26	-	N/A	N/A	-	N/A	N/A	2	31.2/27.8	40/35	2	27.5/24.1	35/35
	15 (150)	19	2	39.5/36.1	50/50	2	34.7/31.3	45/40	1	45.0	60	1	39.5	50
	11.2 (112)	15	2	30.3/26.9	40/35	1	50.1	60	1	34.5	45	1	30.3	40
	8 (080)	10	1	41.9	60	-	N/A	N/A	1	25.6	35	-	N/A	N/A
ALC08-2096E ALC08-2120E	28.8 (288)	33	-	N/A	N/A	-	N/A	N/A	2	43.4/40.0	60/50	2	38.0/34.6	50/45
	21.6 (216)	25	-	N/A	N/A	-	N/A	N/A	2	33.4/30.0	45/40	2	29.4/26.0	40/35
	16.2 (162)	19	2	42.3/38.9	60/50	2	37.2/33.8	50/45	1	48.4	60	1	42.4	60
	11.2 (112)	13	2	30.3/26.9	40/35	-	N/A	N/A	1	34.5	45	-	N/A	N/A



# ARCHITECTURAL LOW PROFILE 8

## Electric Air Curtain

### Electrical Performance Sheet

MODEL	kW (code)	Temp Rise °F	120/1/60 - 480/3/60 (voltage code K) 120V MOTOR AMP DRAW = 3.4 each				208/1/60 - 480/3/60 (voltage code S) 208V MOTOR AMP DRAW = 1.7 each				240/1/60 - 480/3/60 (voltage code U) 240V MOTOR AMP DRAW = 1.7 each				380/3/50 (voltage code O) MOTOR AMP DRAW = 1.7 each					
			# CKTS	AMPS PER CIRCUIT		BREAKER RATING PER CIRCUIT		# CKTS	AMPS PER CIRCUIT		BREAKER RATING PER CIRCUIT		# CKTS	AMPS PER CIRCUIT		BREAKER RATING PER CIRCUIT		# CKTS	AMPS PER CIRCUIT (including motor)	BREAKER RATING PER CIRCUIT
				120V/1	480V/3	120V/1	480V/3		208V/1	480V/3	208V/1	480V/3		240V/1	480V/3	240V/1	480V/3			
ALC08-1030E	N/A	N/A	-	N/A	N/A	N/A	N/A	-	N/A	N/A	N/A	N/A	-	N/A	N/A	N/A	N/A	N/A		
	N/A	N/A	-	N/A	N/A	N/A	N/A	-	N/A	N/A	N/A	N/A	-	N/A	N/A	N/A	N/A	N/A		
	N/A	N/A	-	N/A	N/A	N/A	N/A	-	N/A	N/A	N/A	N/A	-	N/A	N/A	N/A	N/A	N/A		
	N/A	N/A	-	N/A	N/A	N/A	N/A	-	N/A	N/A	N/A	N/A	-	N/A	N/A	N/A	N/A	N/A		
ALC08-1036E ALC08-1042E	10 (100)	30	2	3.4	12.0	15	15	2	1.7	12.0	15	15	2	1.7	12.0	15	15	1	16.9	25
	7.5 (075)	23	2	3.4	9.0	15	15	2	1.7	9.0	15	15	2	1.7	9.0	15	15	1	13.1	20
	5.6 (056)	17	-	N/A	N/A	N/A	N/A	-	N/A	N/A	N/A	N/A	-	N/A	N/A	N/A	N/A	1	10.2	15
	4 (040)	12	-	N/A	N/A	N/A	N/A	-	N/A	N/A	N/A	N/A	-	N/A	N/A	N/A	N/A	-	N/A	N/A
ALC08-1048E ALC08-1060E	14.4 (144)	33	2	3.4	17.3	15	25	2	1.7	17.3	15	25	2	1.7	17.3	15	25	1	23.6	30
	10.8 (108)	25	2	3.4	13.0	15	20	2	1.7	13.0	15	20	2	1.7	13.0	15	20	1	18.1	25
	8.1 (081)	19	-	N/A	N/A	N/A	N/A	-	N/A	N/A	N/A	N/A	-	N/A	N/A	N/A	N/A	1	14.0	20
	5.6 (056)	13	-	N/A	N/A	N/A	N/A	-	N/A	N/A	N/A	N/A	-	N/A	N/A	N/A	N/A	-	N/A	N/A
ALC08-1072E	20 (200)	30	2	3.4	24.1	15	35	2	1.7	24.1	15	35	2	1.7	24.1	15	35	1	32.1	45
	15 (150)	23	2	3.4	18.0	15	25	2	1.7	18.0	15	25	2	1.7	18.0	15	25	1	24.5	35
	11.2 (112)	17	-	N/A	N/A	N/A	N/A	-	N/A	N/A	N/A	N/A	-	N/A	N/A	N/A	N/A	1	18.7	25
	8 (080)	12	-	N/A	N/A	N/A	N/A	-	N/A	N/A	N/A	N/A	-	N/A	N/A	N/A	N/A	-	N/A	N/A
ALC08-2084E	20 (200)	26	2	6.8	24.1	15	35	2	3.4	24.1	15	35	2	3.4	24.1	15	35	1	33.8	45
	15 (150)	20	2	6.8	18.0	15	25	2	3.4	18.0	15	25	2	3.4	18.0	15	25	1	26.2	35
	11.2 (112)	15	-	N/A	N/A	N/A	N/A	-	N/A	N/A	N/A	N/A	-	N/A	N/A	N/A	N/A	1	20.4	30
	8 (080)	10	-	N/A	N/A	N/A	N/A	-	N/A	N/A	N/A	N/A	-	N/A	N/A	N/A	N/A	-	N/A	N/A
ALC08-2096E ALC08-2120E	28.8 (288)	33	2	6.8	34.6	15	45	2	3.4	34.6	15	45	2	3.4	34.6	15	45	1	47.2	60
	21.6 (216)	25	2	6.8	26.0	15	35	2	3.4	26.0	15	35	2	3.4	26.0	15	35	1	36.2	45
	16.2 (162)	19	-	N/A	N/A	N/A	N/A	-	N/A	N/A	N/A	N/A	-	N/A	N/A	N/A	N/A	1	28.0	35
	11.2 (112)	13	-	N/A	N/A	N/A	N/A	-	N/A	N/A	N/A	N/A	-	N/A	N/A	N/A	N/A	-	N/A	N/A

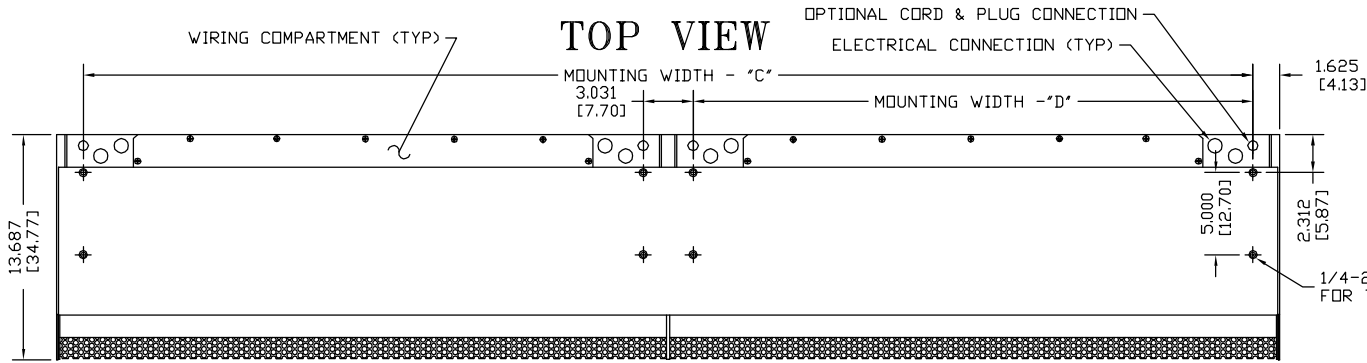


# ARCHITECTURAL LOW PROFILE 8

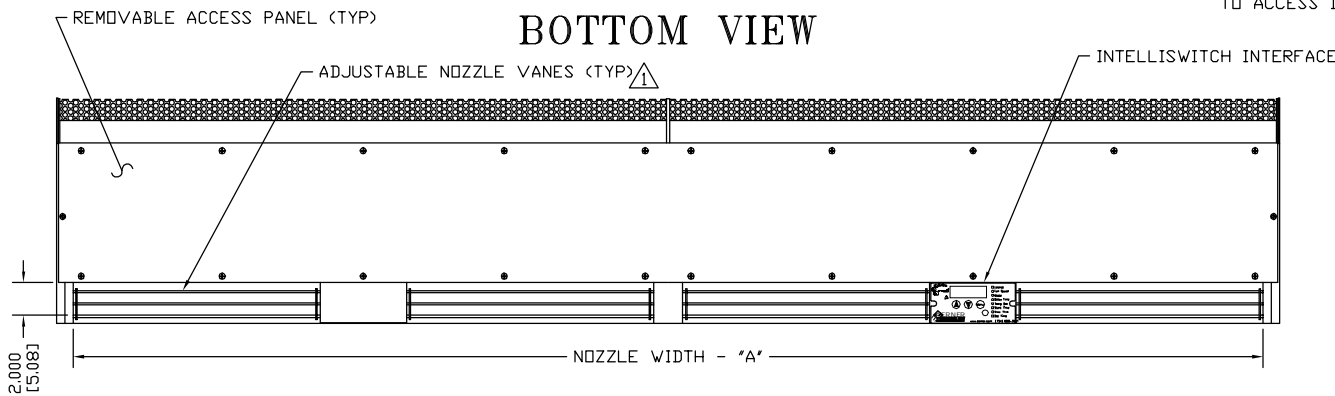
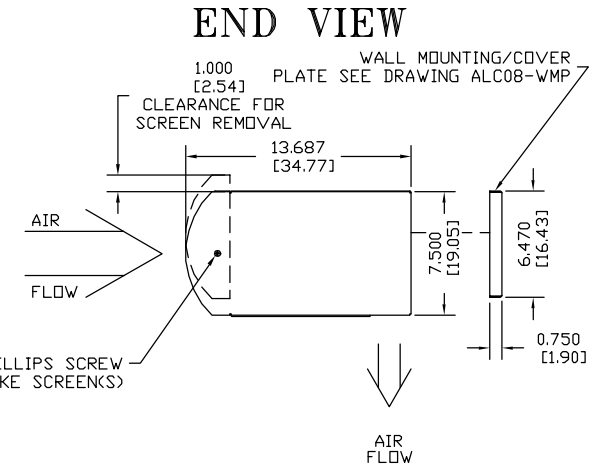
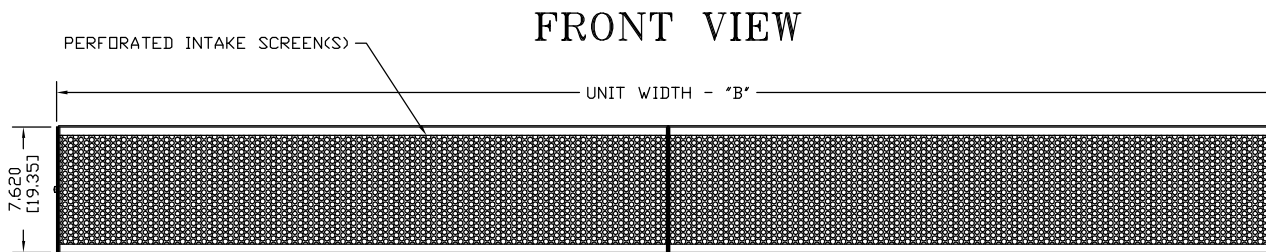
## Electric Air Curtain

### Electrical Performance Sheet

MODEL	kW (code)	Temp Rise °F	# CKTS	120/1/60 - 600/3/60 (voltage code L) 120V MOTOR AMP DRAW = 3.4 each				208/1/60 - 600/3/60 (voltage code M) 208V MOTOR AMP DRAW = 1.7 each				240/1/60 - 600/3/60 (voltage code N) 240V MOTOR AMP DRAW = 1.7 each					
				AMPS PER CIRCUIT		BREAKER RATING PER CIRCUIT		# CKTS	AMPS PER CIRCUIT		BREAKER RATING PER CIRCUIT		# CKTS	AMPS PER CIRCUIT		BREAKER RATING PER CIRCUIT	
				120V/1	600V/3	120V/1	600V/3		208V/1	600V/3	208V/1	600V/3		240V/1	600V/3	240V/1	600V/3
ALC08-1030E	N/A	N/A	-	N/A	N/A	N/A	N/A	-	N/A	N/A	N/A	N/A	-	N/A	N/A	N/A	N/A
	N/A	N/A	-	N/A	N/A	N/A	N/A	-	N/A	N/A	N/A	N/A	-	N/A	N/A	N/A	N/A
	N/A	N/A	-	N/A	N/A	N/A	N/A	-	N/A	N/A	N/A	N/A	-	N/A	N/A	N/A	N/A
	N/A	N/A	-	N/A	N/A	N/A	N/A	-	N/A	N/A	N/A	N/A	-	N/A	N/A	N/A	N/A
ALC08-1036E ALC08-1042E	10 (100)	30	2	3.4	9.6	15	15	2	1.7	9.6	15	15	2	1.7	9.6	15	15
	7.5 (075)	23	-	N/A	N/A	N/A	N/A	-	N/A	N/A	N/A	N/A	-	N/A	N/A	N/A	N/A
	5.6 (056)	17	-	N/A	N/A	N/A	N/A	-	N/A	N/A	N/A	N/A	-	N/A	N/A	N/A	N/A
	4 (040)	12	-	N/A	N/A	N/A	N/A	-	N/A	N/A	N/A	N/A	-	N/A	N/A	N/A	N/A
ALC08-1048E ALC08-1060E	14.4 (144)	33	2	3.4	13.9	15	20	2	1.7	13.9	15	20	2	1.7	13.9	15	20
	10.8 (108)	25	-	N/A	N/A	N/A	N/A	-	N/A	N/A	N/A	N/A	-	N/A	N/A	N/A	N/A
	8.1 (081)	19	-	N/A	N/A	N/A	N/A	-	N/A	N/A	N/A	N/A	-	N/A	N/A	N/A	N/A
	5.6 (056)	13	-	N/A	N/A	N/A	N/A	-	N/A	N/A	N/A	N/A	-	N/A	N/A	N/A	N/A
ALC08-1072E	20 (200)	30	2	3.4	19.2	15	25	2	1.7	19.2	15	25	2	1.7	19.2	15	25
	15 (150)	23	-	N/A	N/A	N/A	N/A	-	N/A	N/A	N/A	N/A	-	N/A	N/A	N/A	N/A
	11.2 (112)	17	-	N/A	N/A	N/A	N/A	-	N/A	N/A	N/A	N/A	-	N/A	N/A	N/A	N/A
	8 (080)	12	-	N/A	N/A	N/A	N/A	-	N/A	N/A	N/A	N/A	-	N/A	N/A	N/A	N/A
ALC08-2084E	20 (200)	26	2	6.8	19.2	15	25	2	3.4	19.2	15	25	2	3.4	19.2	15	25
	15 (150)	20	-	N/A	N/A	N/A	N/A	-	N/A	N/A	N/A	N/A	-	N/A	N/A	N/A	N/A
	11.2 (112)	15	-	N/A	N/A	N/A	N/A	-	N/A	N/A	N/A	N/A	-	N/A	N/A	N/A	N/A
	8 (080)	10	-	N/A	N/A	N/A	N/A	-	N/A	N/A	N/A	N/A	-	N/A	N/A	N/A	N/A
ALC08-2096E ALC08-2120E	28.8 (288)	33	2	6.8	27.7	15	35	2	3.4	27.7	15	35	2	3.4	27.7	15	35
	21.6 (216)	25	-	N/A	N/A	N/A	N/A	-	N/A	N/A	N/A	N/A	-	N/A	N/A	N/A	N/A
	16.2 (162)	19	-	N/A	N/A	N/A	N/A	-	N/A	N/A	N/A	N/A	-	N/A	N/A	N/A	N/A
	11.2 (112)	13	-	N/A	N/A	N/A	N/A	-	N/A	N/A	N/A	N/A	-	N/A	N/A	N/A	N/A



# ALC08 ELECTRIC HEATED



## NOTES:

- ① AIR CURTAIN MUST BE INSTALLED SO AIR STREAM IS NOT OBSTRUCTED WHEN DEFLECTED 20° TO EITHER SIDE OF C.
- ② ELECTRICAL CONNECTIONS TO BE FLEXIBLE.
- ③ FIELD VERIFY DIMENSIONS.
- ④ ANCHORS TO SUPPORTING STRUCTURE BY OTHERS.
- ⑤ ADEQUACY OF SUPPORTING STRUCTURE IS TO BE VERIFIED BY A PROFESSIONAL STRUCTURAL ENGINEER.
- ⑥ LETTER 'E' IN MODEL NUMBER DESIGNATES ELECTRIC HEATED UNIT.
- △ DIMENSIONS IN INCHES (CENTIMETERS).

MODEL △	NOZZLE WIDTH 'A'	UNIT WIDTH 'B'	MOUNTING WIDTH 'C'	MOUNTING WIDTH 'D'
ALC08-1030E	28.00 [71.12]	30.00 [76.20]	26.75 [67.95]	-
ALC08-1036E	35.25 [89.54]	37.25 [94.62]	34.00 [86.36]	-
ALC08-1042E	41.25 [104.78]	43.25 [109.86]	40.00 [101.60]	-
ALC08-1048E	47.25 [120.02]	49.25 [125.10]	46.00 [116.84]	-
ALC08-1060E	59.00 [149.86]	61.00 [154.94]	57.75 [146.69]	-
ALC08-1072E	72.25 [183.59]	74.25 [188.60]	71.00 [180.34]	-
ALC08-2084E	84.25 [213.00]	86.25 [219.08]	83.00 [210.82]	40.00 [101.60]
ALC08-2096E	96.25 [244.48]	98.25 [249.56]	95.00 [241.30]	46.00 [116.84]
ALC08-2120E	119.75 [304.17]	121.75 [309.25]	118.50 [300.99]	57.75 [146.69]

PROJECT		
LOCATION		
ARCHITECT		
ENGINEER		
DWG. NO.	ALC08-ELE	TITLE: <b>BERNER</b>
DATE	28MAR2016	MODEL ALC08 AIR CURTAIN
BY	S. Beil	ELECTRIC HEATED SYSTEM
REPLACES	21MAY14	
BY	S. Beil	BERNER INTERNATIONAL CORP. NEW CASTLE, PA.