



HAZARDOUS LOCATION SERIES 12

Steam Heated Air Curtain

Data Sheet

For Door Heights To 12' (environmental separation)

STANDARD CONSTRUCTION

- Constructed for Class I, Division 1 & 2, Groups C & D
- Constructed for Class II, Division 1 & 2, Groups F & G
- ½ hp explosion proof single speed motor(s) temperature code T3C
- Interior and exterior gray zinc epoxy powder coated aluminized steel cabinet with aluminum screen and access panels
- External mount explosion proof junction box (One per motor)
- Aluminum impellers in a matching housing
- Wall & Top Mounting
- High efficiency Pro-V Nozzle

- Coil Features:
 - Aluminum casing
 - 5/8" copper tube with .035" wall
 - Aluminum fins
 - Leak tested at 450 psi

**2 Year
Limited
Warranty**



MODEL	Nozzle Width (in)	Max Vel. at Nozzle (fpm)	Avg. Outlet Vel. (fpm)	Air Volume (cfm)	Outlet Vel. Uniformity	Power Rating (kW)	Motor(s) @ hp	Coil Output (MBH)	Inlet Pressure (PSIG)	Condensate (lbs/hr)	Air Temp. Rise (°F)	Net Wt. (lbs)
HLC12-1036S	36.00	5,166	1,728	1,512	87%	0.51	1 @ 1/2	63.6	5	65.6	38°	137
HLC12-1042S	42.00	5,550	1,551	1,583	89%	0.52	1 @ 1/2	69.8	5	71.9	40°	147
HLC12-1048S	48.00	5,292	1,366	1,594	78%	0.53	1 @ 1/2	74.2	5	76.4	43°	157
HLC12-1060S	66.00	5,079	1,019	1,634	74%	0.54	1 @ 1/2	85.6	5	88.2	48°	178
HLC12-2060S	66.00	4,781	2,010	2,931	85%	0.99	2 @ 1/2	120.3	5	124.0	38°	240
HLC12-2072S	72.00	5,166	1,728	3,024	87%	1.02	2 @ 1/2	127.2	5	131.1	38°	252
HLC12-2078S	78.00	5,166	1,633	3,095	87%	1.03	2 @ 1/2	133.5	5	137.6	39°	262
HLC12-2084S	84.00	5,550	1,551	3,166	89%	1.04	2 @ 1/2	139.6	5	143.9	40°	271
HLC12-2096S	99.00	5,292	1,366	3,188	78%	1.06	2 @ 1/2	150.2	5	154.9	43°	290
HLC12-3096S	99.00	4,781	1,846	4,443	85%	1.50	3 @ 1/2	181.5	5	187.0	37°	347
HLC12-2108S	108.00	5,079	1,230	3,228	74%	1.07	2 @ 1/2	156.9	5	161.7	44°	338
HLC12-3108S	108.00	5,166	1,728	4,536	87%	1.53	3 @ 1/2	190.8	5	196.7	38°	395
HLC12-2120S	117.00	5,079	1,149	3,268	74%	1.08	2 @ 1/2	163.2	5	168.2	46°	351
HLC12-3120S	117.00	5,166	1,604	4,678	87%	1.55	3 @ 1/2	201.1	5	207.2	39°	408
HLC12-3132S	132.00	5,292	1,484	4,760	78%	1.57	3 @ 1/2	213.9	5	220.5	41°	440
HLC12-3144S	144.00	5,292	1,366	4,782	78%	1.59	3 @ 1/2	222.5	5	229.3	43°	461
HLC12-4144S	144.00	5,166	1,728	6,048	87%	2.04	4 @ 1/2	254.4	5	262.2	38°	517
HLC12-4156S	156.00	5,166	1,633	6,190	87%	2.06	4 @ 1/2	266.9	5	275.1	39°	541
HLC12-4168S	168.00	5,550	1,551	6,332	89%	2.08	4 @ 1/2	279.2	5	287.8	40°	560
HLC12-4180S	180.00	5,292	1,452	6,354	78%	2.10	4 @ 1/2	288.1	5	297.0	41°	582
HLC12-5180S	180.00	5,166	1,728	7,560	87%	2.55	5 @ 1/2	318.0	5	327.8	38°	639
HLC12-4192S	192.00	5,292	1,366	6,376	78%	2.12	4 @ 1/2	296.7	5	305.8	43°	601
HLC12-5192S	192.00	5,292	1,635	7,631	78%	2.56	5 @ 1/2	328.8	5	338.9	39°	658

NOTES:

1. Performance data based on AMCA licensed data from unheated IDC12 units.
 2. Coil performance based on 65°F entering air temperature.
 3. Standard connection same end supply/return (Optional: opposite end supply/return).
 4. Coil should be field supplied with a solenoid valve that energizes only when air curtain is energized. Consideration must be taken for freeze protection when necessary.
 5. Maximum leaving air temperature shall not exceed 120°F.
 6. Consult factory for 50 Hz operation, alternate steam pressures and opposite end supply/return connections performance data.
 7. Vertically mounted Hazardous Location Series air curtains not available.
- Berner does not recommend HLC12-1060S, HLC12-2108S, and HLC12-2120S, exist only as an equivalent to competitors' models.*
See sheet EP-904 for amp draws/total load requirements.

MODEL NUMBER CONFIGURATION

HLC12-1 036 S A

Series	# of Motors	Opening Width	Heat	Voltage
HLC12	1, 2, 3, 4, 5	036" - 192"	S=Steam Heated	A=120/1/60 B=208/1/60 J=240/1/60 D=208/3/60 E=240/3/60 H=480/3/60 I=600/3/60

Sound level measured 10' (3m) from the unit in free field:
 1, 2, 3, 4 & 5 motor(s): 63 dBA, 66 dBA, 68 dBA, 69 dBA & 70 dBA

Berner reserves the right to alter specifications without prior notice.

MODEL	120/1/60 (voltage code A) MOTOR AMP DRAW = 6.5 each			208/1/60 (voltage code B) MOTOR AMP DRAW = 3.5 each			240/1/60 (voltage code J) MOTOR AMP DRAW = 3.5 each		
	# CKTS	AMPS PER CIRCUIT	BREAKER RATING PER CIRCUIT	# CKTS	AMPS PER CIRCUIT	BREAKER RATING PER CIRCUIT	# CKTS	AMPS PER CIRCUIT	BREAKER RATING PER CIRCUIT
HLC12-1036S HLC12-1042S HLC12-1048S HLC12-1060S	1	6.5	15	1	3.5	15	1	3.5	15
HLC12-2060S HLC12-2072S HLC12-2078S HLC12-2084S HLC12-2096S HLC12-2108S HLC12-2120S	1	13.0	15	1	7.0	15	1	7.0	15
HLC12-3096S HLC12-3108S HLC12-3120S HLC12-3132S HLC12-3144S	1	19.5	25	1	10.5	15	1	10.5	15
HLC12-4144S HLC12-4156S HLC12-4168S HLC12-4180S HLC12-4192S	1	26.0	30	1	14.0	15	1	14.0	15
HLC12-5180S HLC12-5192S	1	32.5	35	1	17.5	20	1	17.5	20



HAZARDOUS LOCATION SERIES 12

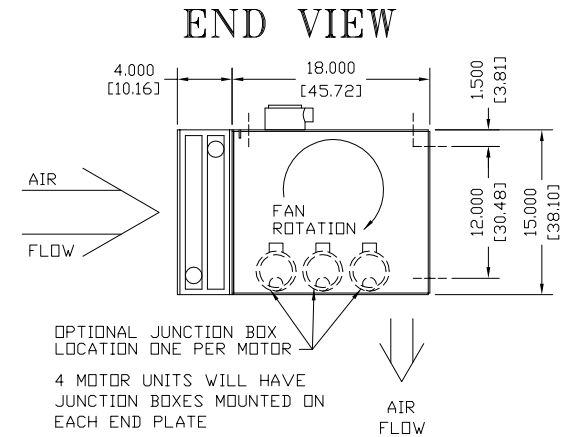
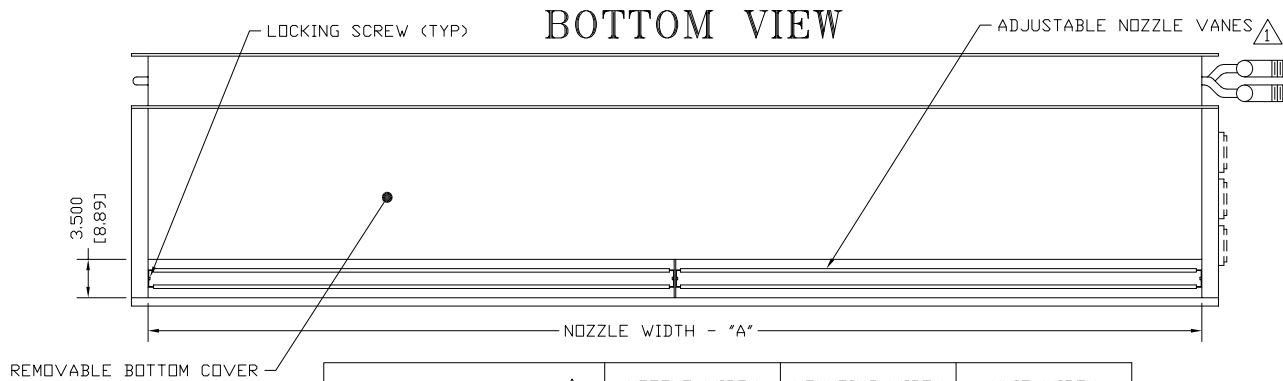
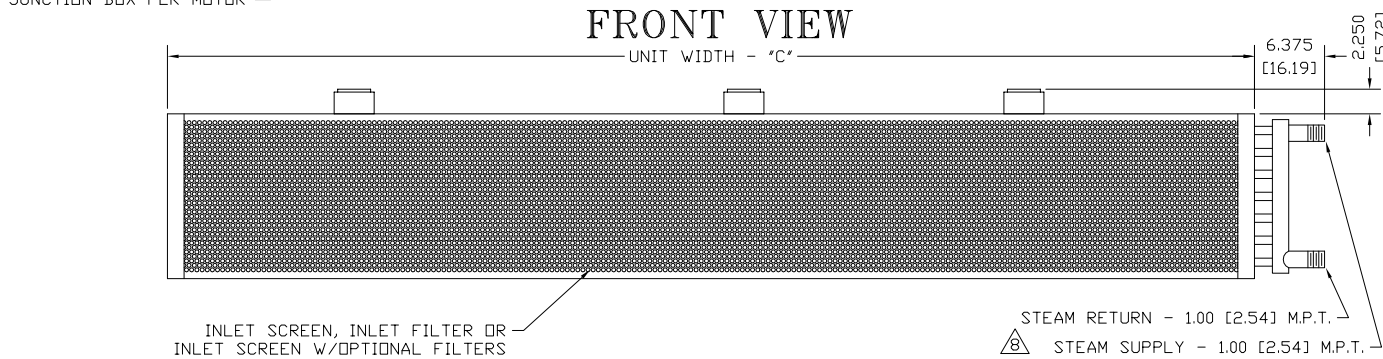
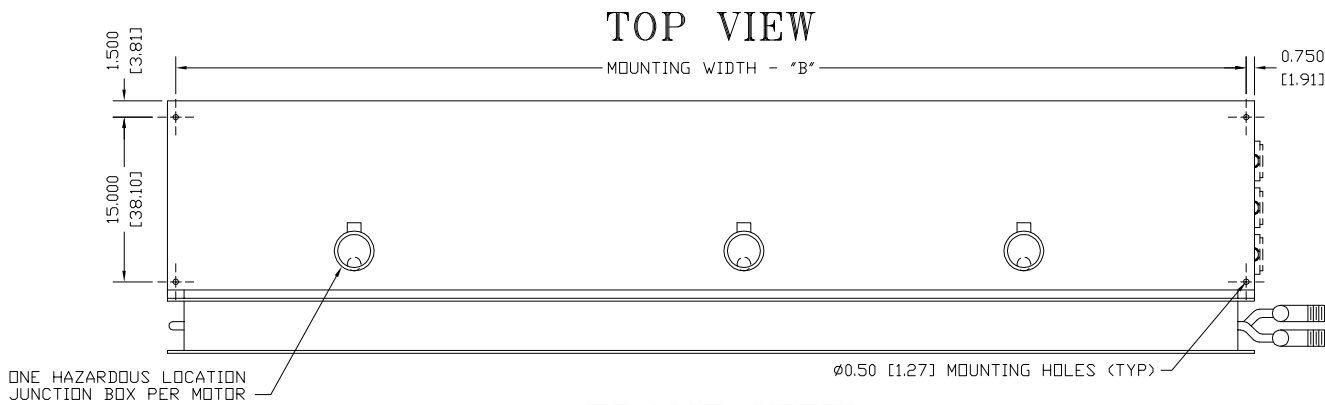
Steam Heated Air Curtain

Electrical Performance Sheet

MODEL	208/3/60 (voltage code D) MOTOR AMP DRAW = 2.5 each			240/3/60 (voltage code E) MOTOR AMP DRAW = 2.4 each			480/3/60 (voltage code H) MOTOR AMP DRAW = 1.2 each			600/3/60 (voltage code I) MOTOR AMP DRAW = 0.8 each		
	# CKTS	AMPS PER CIRCUIT	BREAKER RATING PER CIRCUIT	# CKTS	AMPS PER CIRCUIT	BREAKER RATING PER CIRCUIT	# CKTS	AMPS PER CIRCUIT	BREAKER RATING PER CIRCUIT	# CKTS	AMPS PER CIRCUIT	BREAKER RATING PER CIRCUIT
HLC12-1036S HLC12-1042S HLC12-1048S HLC12-1060S	1	2.5	15	1	2.4	15	1	1.2	15	1	0.8	15
HLC12-2060S HLC12-2072S HLC12-2078S HLC12-2084S HLC12-2096S HLC12-2108S HLC12-2120S	1	5.0	15	1	4.8	15	1	2.4	15	1	1.6	15
HLC12-3096S HLC12-3108S HLC12-3120S HLC12-3132S HLC12-3144S	1	7.5	15	1	7.2	15	1	3.6	15	1	2.4	15
HLC12-4144S HLC12-4156S HLC12-4168S HLC12-4180S HLC12-4192S	1	10.0	15	1	9.6	15	1	4.8	15	1	3.2	15
HLC12-5180S HLC12-5192S	1	12.5	20	1	12.0	15	1	6.0	15	1	4.0	15

HLC12

STEAM HEATED HAZARDOUS LOCATION



NOTES:

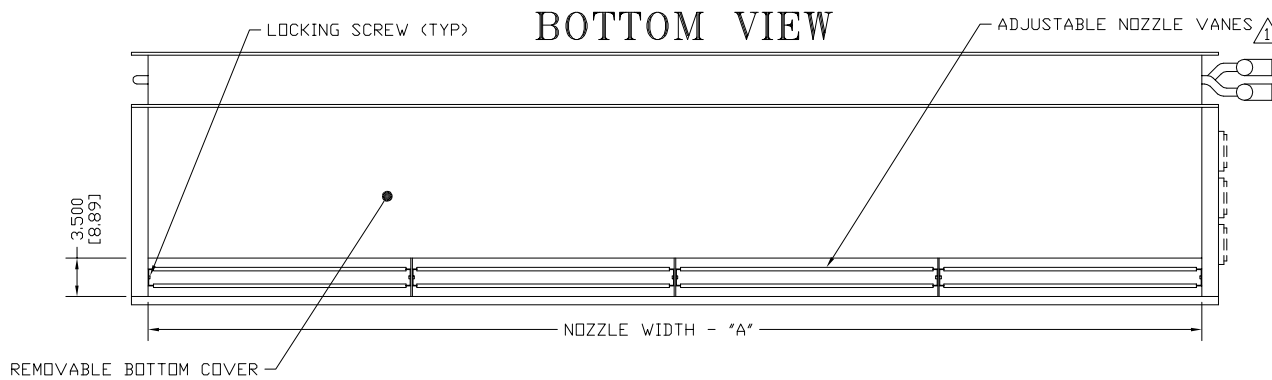
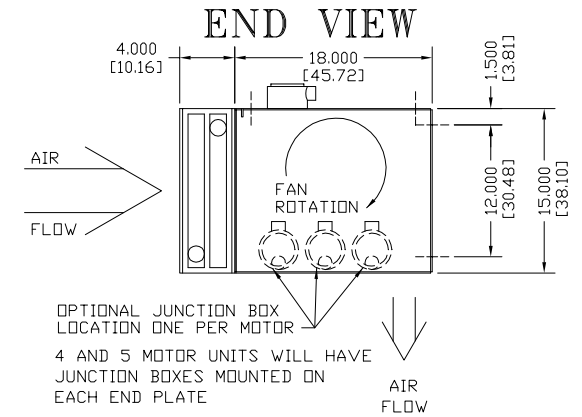
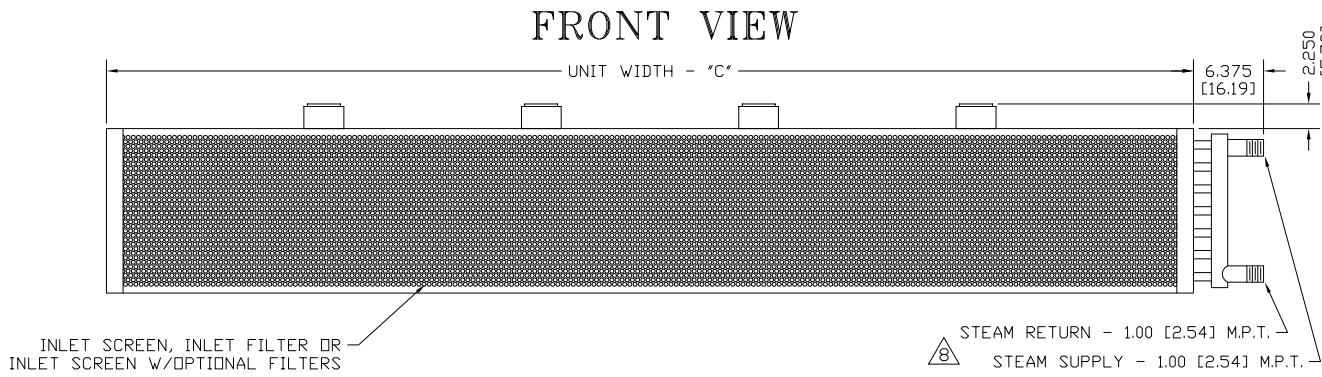
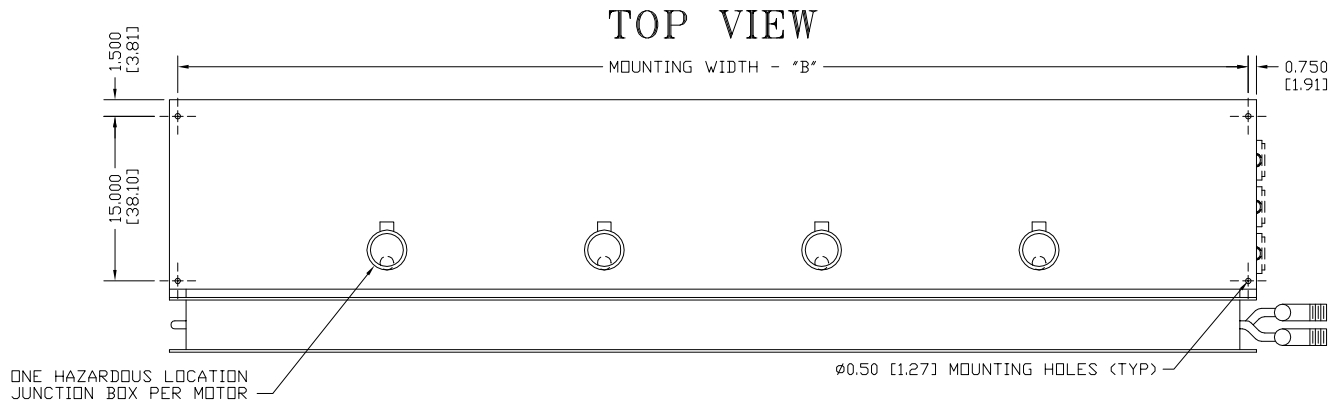
- ⚠️ AIR CURTAIN MUST BE INSTALLED SO AIR STREAM IS NOT OBSTRUCTED WHEN DEFLECTED 20° TO EITHER SIDE OF C.
- ⚠️ ELECTRICAL CONNECTIONS TO BE FLEXIBLE.
- ⚠️ FIELD VERIFY DIMENSIONS.
- ⚠️ ANCHORS TO SUPPORTING STRUCTURE BY OTHERS.
- ⚠️ ADEQUACY OF SUPPORTING STRUCTURE IS TO BE VERIFIED BY A PROFESSIONAL STRUCTURAL ENGINEER.
- ⚠️ LETTER "S" IN MODEL NUMBER DESIGNATES STEAM HEATED UNIT.
- ⚠️ REMOTE OPTIONAL CONTROL PANEL AVAILABLE: NEMA 4/12 FOR NON HAZARDOUS LOCATION MOUNTING; NEMA 7/9 FOR HAZARDOUS LOCATION MOUNTING. PLEASE SPECIFY.
- ⚠️ COIL CONNECTIONS AS SHOWN, OPPOSITE AND SAME END CONNECTIONS AVAILABLE, PLEASE SPECIFY.
- ⚠️ DIMENSIONS IN INCHES (CENTIMETERS).

MODEL	⚠️	NOZZLE WIDTH "A"	MOUNTING WIDTH "B"	UNIT WIDTH "C"
HLC12-1036S		36.00 [91.44]	37.50 [95.25]	39.00 [99.06]
HLC12-1042S		42.00 [106.68]	43.50 [110.49]	45.00 [114.30]
HLC12-1048S		48.00 [121.92]	49.50 [125.73]	51.00 [129.54]
HLC12-1060S/2060S		66.00 [167.64]	67.50 [171.45]	69.00 [175.26]
HLC12-2072S		72.00 [182.88]	73.50 [186.69]	75.00 [190.50]
HLC12-2078S		78.00 [192.12]	79.50 [201.93]	81.00 [205.74]
HLC12-2084S		84.00 [213.36]	85.50 [217.17]	87.00 [220.98]
HLC12-2096S/3096S		99.00 [251.46]	100.50 [255.27]	102.00 [259.08]
HLC12-2108S/3108S		108.00 [274.32]	109.50 [278.13]	111.00 [281.94]
HLC12-2120S/3120S		117.00 [297.18]	118.50 [300.99]	120.00 [304.80]
HLC12-3132S		132.00 [335.28]	133.50 [339.09]	135.00 [342.90]
HLC12-3144S/4144S		144.00 [365.76]	145.50 [369.57]	147.00 [373.38]

PROJECT		
LOCATION		
ARCHITECT		
ENGINEER		
DWG. NO.	HLC12-STMI	TITLE: BERNER
DATE	16 JUNE 14	MODEL HLC12 AIR CURTAIN
BY	S. Beil	HAZARDOUS LOCATION STEAM HEATED SYSTEM
REPLACES	-	
BY	-	BERNER INTERNATIONAL CORP. NEW CASTLE, PA.

HLC12

STEAM HEATED HAZARDOUS LOCATION



MODEL	NOZZLE WIDTH "A"	MOUNTING WIDTH "B"	UNIT WIDTH "C"
HLC12-4156S	156.00 [396.24]	157.50 [400.05]	159.00 [403.86]
HLC12-4168S	168.00 [426.72]	169.50 [430.53]	171.00 [434.34]
HLC12-4180S/5180S	180.00 [457.20]	181.50 [461.01]	183.00 [464.82]
HLC12-4192S/5192S	192.00 [487.68]	193.50 [491.49]	195.00 [495.30]

NOTES:

- 1 AIR CURTAIN MUST BE INSTALLED SO AIR STREAM IS NOT OBSTRUCTED WHEN DEFLECTED 20° TO EITHER SIDE OF C.
- 2 ELECTRICAL CONNECTIONS TO BE FLEXIBLE.
- 3 FIELD VERIFY DIMENSIONS.
- 4 ANCHORS TO SUPPORTING STRUCTURE BY OTHERS.
- 5 ADEQUACY OF SUPPORTING STRUCTURE IS TO BE VERIFIED BY A PROFESSIONAL STRUCTURAL ENGINEER.
- 6 LETTER "S" IN MODEL NUMBER DESIGNATES STEAM HEATED UNIT.
- 7 REMOTE OPTIONAL CONTROL PANEL AVAILABLE: NEMA 4/12 FOR NON HAZARDOUS LOCATION MOUNTING; NEMA 7/9 FOR HAZARDOUS LOCATION MOUNTING. PLEASE SPECIFY.
- 8 COIL CONNECTIONS AS SHOWN, OPPOSITE AND SAME END CONNECTIONS AVAILABLE, PLEASE SPECIFY.
- 9 DIMENSIONS IN INCHES (CENTIMETERS).

PROJECT		
LOCATION		
ARCHITECT		
ENGINEER		
DWG. NO.	HLC12-STM2	TITLE: BERNER
DATE	16 JUNE 14	MODEL HLC12 AIR CURTAIN
BY	S. Beil	HAZARDOUS LOCATION STEAM HEATED SYSTEM
REPLACES	-	
BY	-	BERNER INTERNATIONAL CORP. NEW CASTLE, PA.