



INDUSTRIAL DIRECT DRIVE 14

Hot Water Heated Air Curtain

Data Sheet

For Door Heights To 14' (environmental separation)

STANDARD CONSTRUCTION

- 1 hp single speed motor(s) - direct drive (Optional: two-speed)
- Gray powder coated exterior with mill aluminum screen and access panel (Optional: Custom Color or Stainless)
- Wall & Top Mounting
- Front air intake (Optional: top)
- High efficiency Pro-V Nozzle

- Coil Features:
 - Galvanized steel casing
 - 5/8" copper tube with .035" wall
 - Aluminum fins
 - Leak tested at 450 psi

2 Year
Limited
Warranty



MODEL	Nozzle Width (in)	Max Vel. at Nozzle (fpm)	Avg. Outlet Vel. (fpm)	Air Volume (cfm)	Outlet Vel. Uniformity	Power Rating (kW)	Motor(s) @ hp	Coil Output (MBH)	Entering / Leaving Water Temp. (°F)	Water Flow (GPM)	Fluid Pressure Drop (FT. WG.)	Air Temp. Rise (°F)	Net Wt. (lbs)
IDC14-1036W	36.00	7,567	2,738	2,396	87%	1.12	1 @ 1	81.4	180° / 161°	9.0	1.7	31°	143
IDC14-1042W	42.00	7,040	2,435	2,486	81%	1.12	1 @ 1	88.8	180° / 160°	9.0	1.7	33°	153
IDC14-1048W	48.00	7,175	2,173	2,535	84%	1.25	1 @ 1	89.0	180° / 154°	7.0	1.1	32°	163
IDC14-1060W	66.00	6,886	1,620	2,598	80%	1.28	1 @ 1	102.9	180° / 150°	7.0	1.2	36°	184
IDC14-2060W	66.00	7,520	3,136	4,574	97%	2.07	2 @ 1	160.8	180° / 159°	16.0	5.8	32°	234
IDC14-2072W	72.00	7,567	2,738	4,792	87%	2.24	2 @ 1	168.1	180° / 157°	15.0	5.2	32°	246
IDC14-2078W	78.00	7,040	2,575	4,882	81%	2.24	2 @ 1	175.4	180° / 156°	15.0	5.3	33°	256
IDC14-2084W	84.00	7,040	2,435	4,972	81%	2.24	2 @ 1	182.4	180° / 155°	15.0	5.4	34°	265
IDC14-2096W	99.00	7,175	2,173	5,070	84%	2.50	2 @ 1	196.8	180° / 153°	15.0	5.6	35°	284
IDC14-3096W	99.00	7,567	2,987	6,970	87%	3.19	3 @ 1	243.7	180° / 156°	21.0	10.8	32°	328
IDC14-2108W	108.00	6,886	1,956	5,133	80%	2.53	2 @ 1	204.8	180° / 152°	15.0	5.7	36°	332
IDC14-3108W	108.00	7,567	2,738	7,188	87%	3.36	3 @ 1	254.9	180° / 154°	20.5	10.5	32°	376
IDC14-2120W	117.00	6,886	1,827	5,197	80%	2.56	2 @ 1	215.5	180° / 152°	16.0	6.7	38°	345
IDC14-3120W	117.00	7,040	2,526	7,368	81%	3.36	3 @ 1	270.5	180° / 155°	22.0	12.3	34°	389
IDC14-3132W	132.00	7,040	2,340	7,507	81%	3.49	3 @ 1	289.1	180° / 154°	23.0	13.9	35°	421
IDC14-3144W	144.00	7,175	2,173	7,605	84%	3.75	3 @ 1	303.6	180° / 154°	24.0	15.5	36°	442
IDC14-4144W	144.00	7,567	2,738	9,584	87%	4.48	4 @ 1	347.8	180° / 155°	28.0	21.0	33°	486
IDC14-4156W	156.00	7,040	2,575	9,764	81%	4.48	4 @ 1	387.9	180° / 155°	32.0	19.6	36°	540
IDC14-4168W	168.00	7,040	2,435	9,944	81%	4.48	4 @ 1	402.2	180° / 154°	32.0	19.9	37°	561
IDC14-4180W	180.00	7,040	2,295	10,042	81%	4.74	4 @ 1	416.8	180° / 154°	33.0	21.3	38°	586
IDC14-5180W	180.00	7,567	2,738	11,980	87%	5.60	5 @ 1	464.0	180° / 154°	37.0	26.7	35°	630
IDC14-4192W	192.00	7,175	2,173	10,140	84%	5.00	4 @ 1	435.4	180° / 155°	36.0	25.5	39°	607
IDC14-5192W	192.00	7,175	2,580	12,040	84%	5.69	5 @ 1	478.7	180° / 154°	38.0	28.4	36°	651

NOTES:

1. Operation at 50 Hz will generate approximately a 17% reduction in performance.
 2. Performance data based on AMCA licensed data from unheated units.
 3. Coil performance based on 65°F entering air temperature.
 4. Standard connection same end supply/return (Optional: opposite end supply/return).
 5. Coil should be field supplied with a solenoid valve that energizes only when air curtain is energized. Consideration must be taken for freeze protection when necessary.
 6. Maximum leaving air temperature shall not exceed 120°F.
 7. Consult factory for alternate entering air & water temperatures, GPM's, opposite end supply/return connections performance data, or vertically mounted units. *Berner does not recommend IDC14-1060W, IDC14-2108W and IDC14-2120W, exist only as an equivalent to competitors' models.*
- See sheet EP-416 for amp draws/total load requirements.

MODEL NUMBER CONFIGURATION

IDC14-1 036 W A-F-SS

Series	# of Motors	Opening Width	Heat	Voltage	Intake	Opt. Cabinet Finish
IDC14	1, 2, 3, 4, 5	036" - 192"	W=Hot Water Heated	*A=120/1/60 B=208/1/60 J=240/1/60 V=220/1/50 X=208/3/60 Y=240/3/60 Z=480/3/60 Q=600/3/60 O=380/3/50	T=Top F=Front	SS=Stainless Steel CC=Custom Color

*Suitable for 50hz

Berner reserves the right to alter specifications without prior notice.

Sound level measured 10' (3m) from the unit in free field:

1, 2, 3, 4 & 5 motor(s): 66 dBA, 69 dBA, 71 dBA, 72 dBA & 73 dBA



INDUSTRIAL DIRECT DRIVE 14

Hot Water Heated Air Curtain Electrical Performance Sheet

MODEL	120/1/60 (voltage code A) MOTOR AMP DRAW = 12.6 each			208/1/60 (voltage code B) MOTOR AMP DRAW = 6.5 each			240/1/60 (voltage code J) or 220/1/50 (voltage code V) MOTOR AMP DRAW = 6.5 each			208/3/60 (voltage code X) MOTOR AMP DRAW = 6.5 each		
	# CKTS	AMPS PER CIRCUIT	BREAKER RATING PER CIRCUIT	# CKTS	AMPS PER CIRCUIT	BREAKER RATING PER CIRCUIT	# CKTS	AMPS PER CIRCUIT	BREAKER RATING PER CIRCUIT	# CKTS	AMPS PER CIRCUIT	BREAKER RATING PER CIRCUIT
IDC14-1036W IDC14-1042W IDC14-1048W IDC14-1060W	1	12.6	20	1	6.5	15	1	6.5	15	1	6.5	15
IDC14-2060W IDC14-2072W IDC14-2078W IDC14-2084W IDC14-2096W IDC14-2108W IDC14-2120W	1	25.2	30	1	13.0	20	1	13.0	20	1	13.0	20
IDC14-3096W IDC14-3108W IDC14-3120W IDC14-3132W IDC14-3144W	1	37.8	45	1	19.5	30	1	19.5	30	1	19.5	30
IDC14-4144W IDC14-4156W IDC14-4168W IDC14-4180W IDC14-4192W	1	50.4	60	1	26.0	35	1	26.0	35	1	26.0	35
IDC14-5180W IDC14-5192W	1	63.0	100	1	32.5	45	1	32.5	45	1	32.5	45



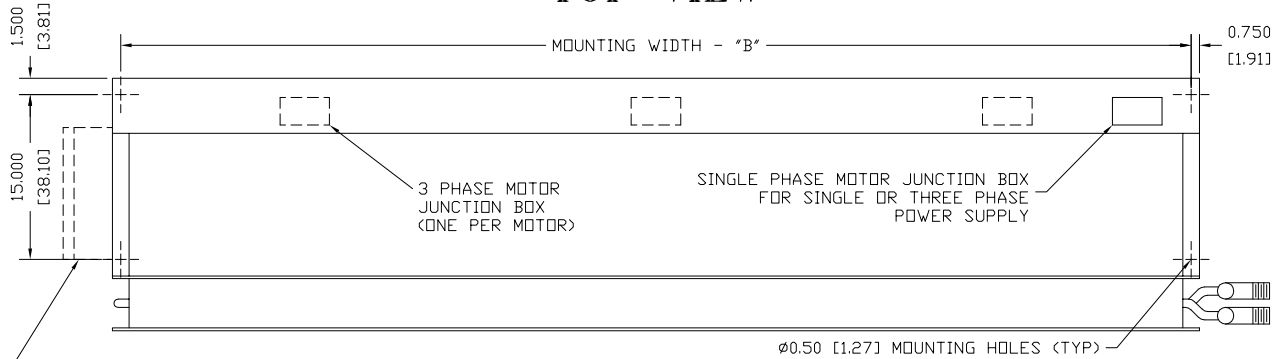
INDUSTRIAL DIRECT DRIVE 14

Hot Water Heated Air Curtain

Electrical Performance Sheet

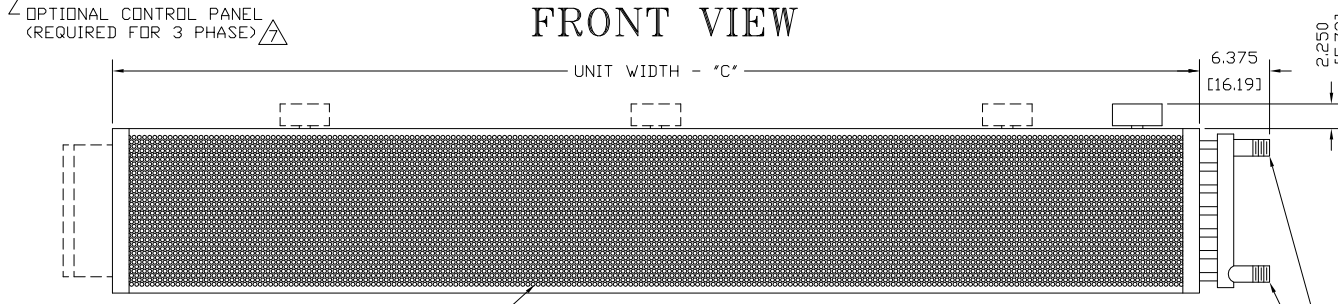
MODEL	240/3/60 (voltage code Y) MOTOR AMP DRAW = 6.5 each			480/3/60 (voltage code Z) MOTOR AMP DRAW = 3.2 each			600/3/60 (voltage code Q) MOTOR AMP DRAW = 2.0 each			380/3/50 (voltage code O) MOTOR AMP DRAW = 6.5 each		
	# CKTS	AMPS PER CIRCUIT	BREAKER RATING PER CIRCUIT	# CKTS	AMPS PER CIRCUIT	BREAKER RATING PER CIRCUIT	# CKTS	AMPS PER CIRCUIT	BREAKER RATING PER CIRCUIT	# CKTS	AMPS PER CIRCUIT	BREAKER RATING PER CIRCUIT
IDC14-1036W IDC14-1042W IDC14-1048W IDC14-1060W	1	6.5	15	1	3.2	15	1	2.0	15	1	6.5	15
IDC14-2060W IDC14-2072W IDC14-2078W IDC14-2084W IDC14-2096W IDC14-2108W IDC14-2120W	1	13.0	20	1	6.4	15	1	4.0	15	1	13.0	20
IDC14-3096W IDC14-3108W IDC14-3120W IDC14-3132W IDC14-3144W	1	19.5	30	1	9.6	15	1	6.0	15	1	19.5	30
IDC14-4144W IDC14-4156W IDC14-4168W IDC14-4180W IDC14-4192W	1	26.0	35	1	12.8	20	1	8.0	15	1	26.0	35
IDC14-5180W IDC14-5192W	1	32.5	45	1	16.0	20	1	10.0	15	1	32.5	45

TOP VIEW

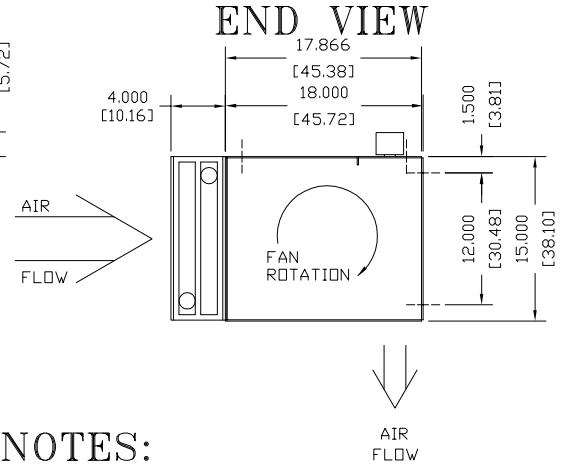


IDC14 HOT WATER HEATED

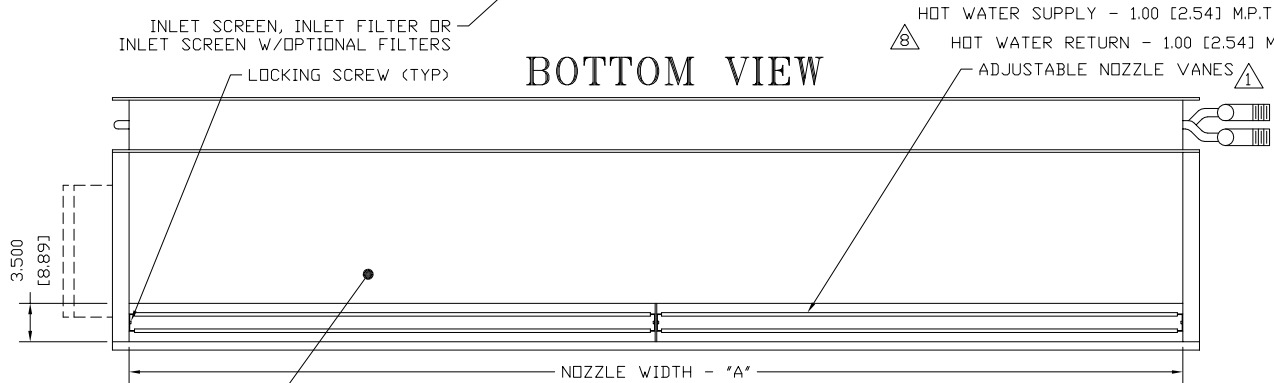
FRONT VIEW



END VIEW



BOTTOM VIEW



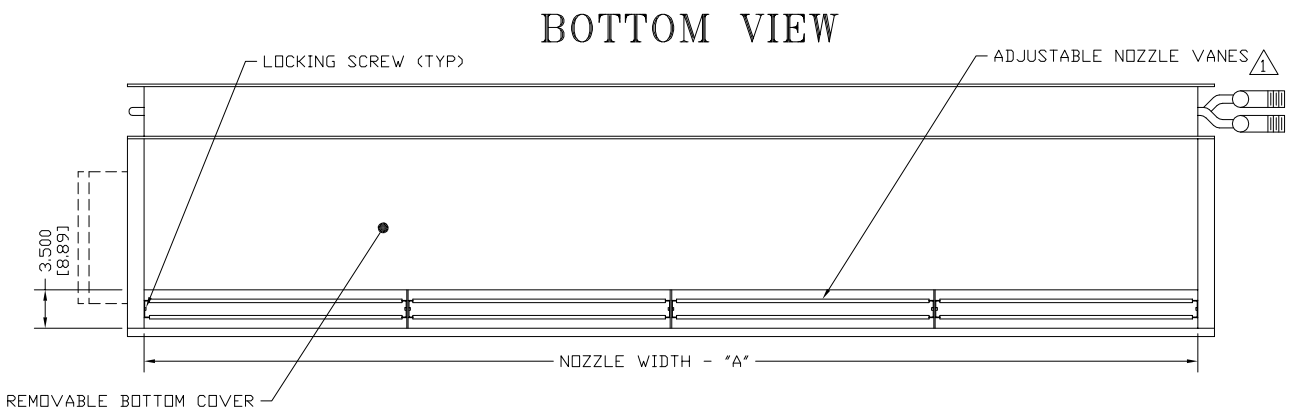
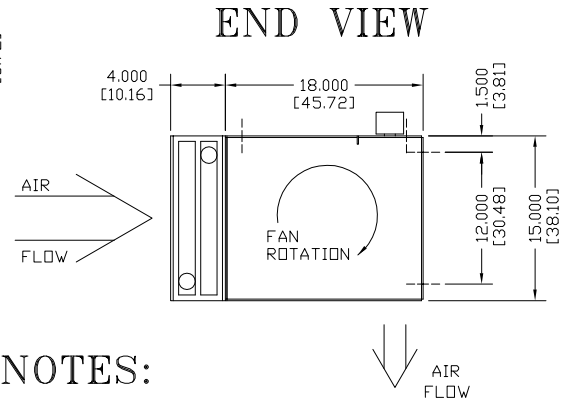
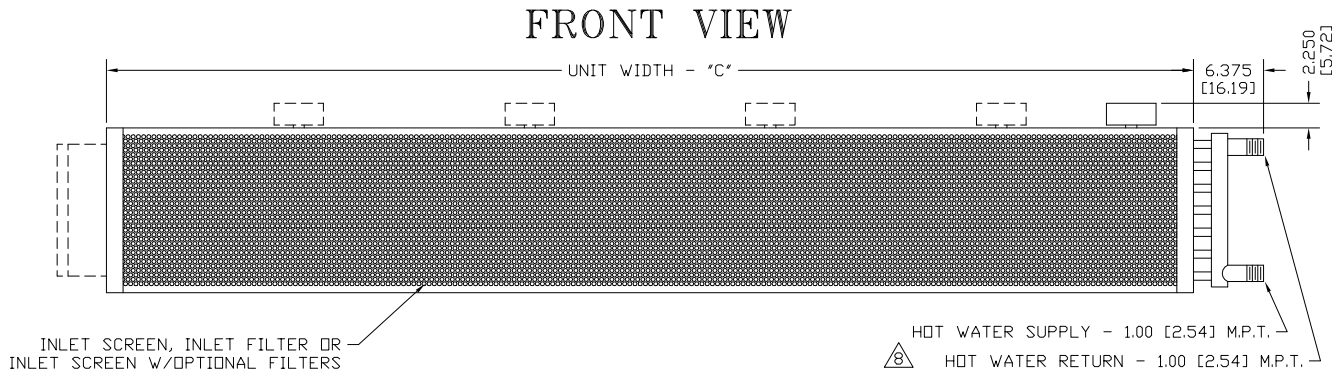
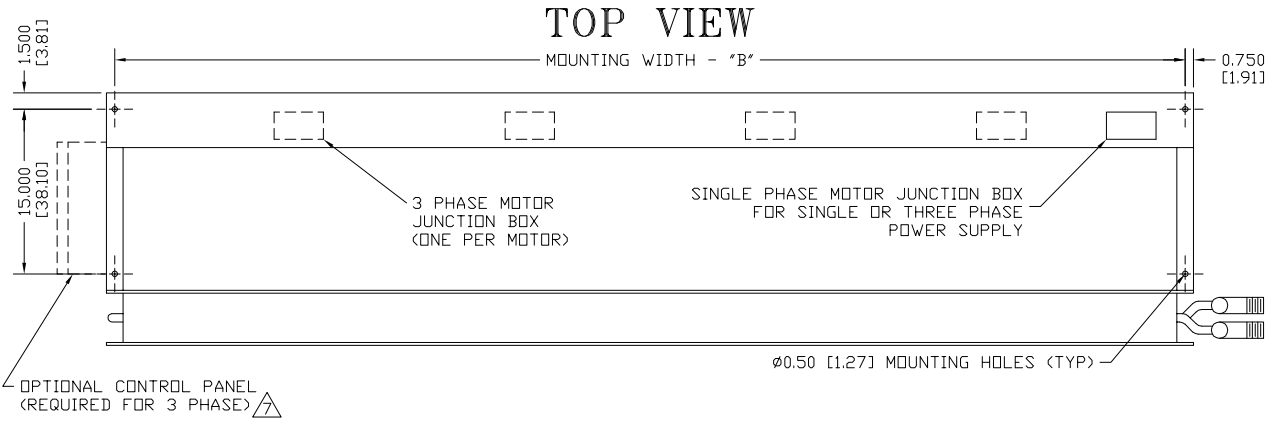
NOTES:

- ⚠ AIR CURTAIN MUST BE INSTALLED SO AIR STREAM IS NOT OBSTRUCTED WHEN DEFLECTED 20° TO EITHER SIDE OF C.
- ⚠ ELECTRICAL CONNECTIONS TO BE FLEXIBLE.
- ⚠ FIELD VERIFY DIMENSIONS.
- ⚠ ANCHORS TO SUPPORTING STRUCTURE BY OTHERS.
- ⚠ ADEQUACY OF SUPPORTING STRUCTURE IS TO BE VERIFIED BY A PROFESSIONAL STRUCTURAL ENGINEER.
- ⚠ LETTER "W" IN MODEL NUMBER DESIGNATES, HOT WATER HEATED UNIT.
- ⚠ STANDARD CONTROL PANEL LEFT HAND MOUNT, OPTIONAL RIGHT HAND MOUNT, OR REMOTE. PLEASE SPECIFY.
- ⚠ COIL CONNECTIONS AS SHOWN, OPPOSITE AND SAME END CONNECTIONS AVAILABLE, PLEASE SPECIFY.
- ⚠ DIMENSIONS IN INCHES [CENTIMETERS].

MODEL ⚠	NOZZLE WIDTH "A"	MOUNTING WIDTH "B"	UNIT WIDTH "C"
IDC14-1036W	36.00 [91.44]	37.50 [95.25]	39.00 [99.06]
IDC14-1042W	42.00 [106.68]	43.50 [110.49]	45.00 [114.30]
IDC14-1048W	48.00 [121.92]	49.50 [125.73]	51.00 [129.54]
IDC14-1060W/2060W	66.00 [167.64]	67.50 [171.45]	69.00 [175.26]
IDC14-2072W	72.00 [182.88]	73.50 [186.69]	75.00 [190.50]
IDC14-2078W	78.00 [192.12]	79.50 [201.93]	81.00 [205.74]
IDC14-2084W	84.00 [213.36]	85.50 [217.17]	87.00 [220.98]
IDC14-2096W/3096W	99.00 [251.46]	100.50 [255.27]	102.00 [259.08]
IDC14-2108W/3108W	108.00 [274.32]	109.50 [278.13]	111.00 [281.94]
IDC14-2120W/3120W	117.00 [297.18]	118.50 [300.99]	120.00 [304.80]
IDC14-3132W	132.00 [335.28]	133.50 [339.09]	135.00 [342.90]
IDC14-3144W/4144W	144.00 [365.76]	145.50 [369.57]	147.00 [373.38]

PROJECT		
LOCATION		
ARCHITECT		
ENGINEER		
DWG. NO.	IDC14-WTR1	TITLE: BERNER
DATE	29MAY14	MODEL IDC14 AIR CURTAIN
BY	S. Beil	HOT WATER HEATED SYSTEM
REPLACES	-	
BY	-	BERNER INTERNATIONAL CORP. NEW CASTLE, PA.

IDC14 HOT WATER HEATED



- NOTES:**
- 1 AIR CURTAIN MUST BE INSTALLED SO AIR STREAM IS NOT OBSTRUCTED WHEN DEFLECTED 20° TO EITHER SIDE OF C.
 - 2 ELECTRICAL CONNECTIONS TO BE FLEXIBLE.
 - 3 FIELD VERIFY DIMENSIONS.
 - 4 ANCHORS TO SUPPORTING STRUCTURE BY OTHERS.
 - 5 ADEQUACY OF SUPPORTING STRUCTURE IS TO BE VERIFIED BY A PROFESSIONAL STRUCTURAL ENGINEER.
 - 6 LETTER "W" IN MODEL NUMBER DESIGNATES, HOT WATER HEATED UNIT.
 - 7 STANDARD CONTROL PANEL LEFT HAND MOUNT, OPTIONAL RIGHT HAND MOUNT, OR REMOTE. PLEASE SPECIFY.
 - 8 COIL CONNECTIONS AS SHOWN, OPPOSITE AND SAME END CONNECTIONS AVAILABLE, PLEASE SPECIFY.
 - 9 DIMENSIONS IN INCHES [CENTIMETERS].

MODEL ⚠	NOZZLE WIDTH "A"	MOUNTING WIDTH "B"	UNIT WIDTH "C"
IDC14-4156W	156.00 [396.24]	157.50 [400.05]	159.00 [403.86]
IDC14-4168W	168.00 [426.72]	169.50 [430.53]	171.00 [434.34]
IDC14-4180W/5180W	180.00 [457.20]	181.50 [461.01]	183.00 [464.82]
IDC14-4192W/5192W	192.00 [487.68]	193.50 [491.49]	195.00 [495.30]

PROJECT		TITLE: BERNER MODEL IDC14 AIR CURTAIN HOT WATER HEATED SYSTEM
LOCATION		
ARCHITECT		
ENGINEER		
DWG. NO.	IDC14-WTR2	BY S. Beil
DATE	29MAY14	
REPLACES	-	BERNER INTERNATIONAL CORP. NEW CASTLE, PA.
BY	-	