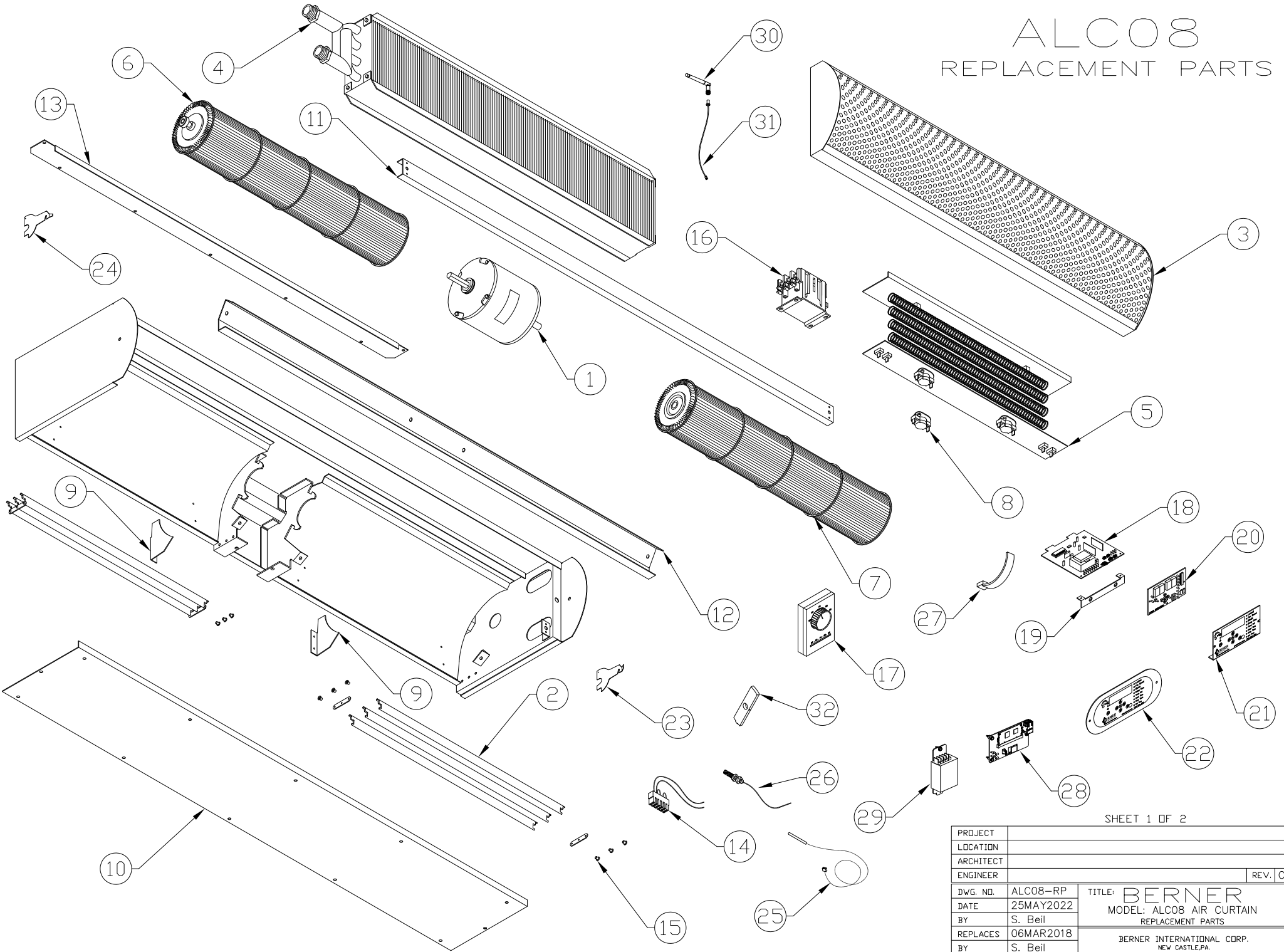


ALC08 REPLACEMENT PARTS



SHEET 1 OF 2

PROJECT		
LOCATION		
ARCHITECT		
ENGINEER		REV. C
DWG. NO.	ALC08-RP	TITLE: BERNER
DATE	25MAY2022	MODEL: ALC08 AIR CURTAIN
BY	S. Beil	REPLACEMENT PARTS
REPLACES	06MAR2018	BERNER INTERNATIONAL CORP.
BY	S. Beil	NEW CASTLE, PA.

ALC08

REPLACEMENT PARTS

ITEM	DESCRIPTION	PART #
1	MOTOR, 1/5 HP. (120-208/240V, 1 PH)	011F5042F1X18C
2	OULET NOZZLE VANE (specify vane length - inches)	06ZPR***NV
3	INLET GRILL ASSM - STANDARD (specify length - inches)	08ZPR***ISA
4	STEAM/HOT WATER COIL (specify length - inches)	10S**06F108S
5	ELEC. HEATER ASSM - 14", 5.0 KW (208V)	11ZPR014B050D
5	ELEC. HEATER ASSM - 14", 5.0 KW (240V)	11ZPR014B050E
5	ELEC. HEATER ASSM - 14", 5.0 KW (480V)	11ZPR014B050H
5	ELEC. HEATER ASSM - 14", 5.0 KW (600V)	11ZPR014B050I
5	ELEC. HEATER ASSM - 20", 5.4 KW (208V)	11ZPR020B072E
5	ELEC. HEATER ASSM - 20", 5.4 KW (240V)	11ZPR020B072H
5	ELEC. HEATER ASSM - 20", 7.2 KW (208V)	11ZPR020B072D
5	ELEC. HEATER ASSM - 20", 7.2 KW (240V)	11ZPR020B072E
5	ELEC. HEATER ASSM - 20", 7.2 KW (480V)	11ZPR020B072H
5	ELEC. HEATER ASSM - 20", 7.2 KW (600V)	11ZPR020B072I
6	BLOWER WHEEL LEFT HAND (specify length - inches)	29T450S012A-L**
7	BLOWER WHEEL RIGHT HAND (specify length - inches)	29T450S012A-R**
8	THERMAL CUT OUT	36A145-105-90
9	DIVERTER (specify left or right hand)	40ZPR000D-*
10	BOTTOM ACCESS COVER - STANDARD (specify length - inches)	40ZPR***BAC
10	BOTTOM ACCESS COVER - STAINLESS STEEL (specify length - inches)	40ZPR***BAC-SS
11	CROSSBAR (specify length - inches)	40ZPR***CB
12	NOZZLE TRANSVERSE (specify length - inches)	40ZPR***TR
13	WIRING TRAY COVER (specify length - inches)	40ZPR***WT-C
14	MOTOR WIRING HARNESS, 1/5 HP, 120V	505WH115LWA
14	MOTOR WIRING HARNESS, 1/5 HP, 208/240V	505WH230LWA
15	NOZZLE VANE BUSHING	510018B-N
16	HEATER RELAY (SPECIFY MOTOR VOLTAGE)	9010DP40A3P***
17	THERMOSTAT - REMOTE MOUNT	9502DS2T-P
18	INTELLISWITCH CONTROL BOARD GEN 3 - (1 motor)	33G008S-CB1-INT-3
18	INTELLISWITCH CONTROL BOARD GEN 3 - (2 motor)	33G008S-CB2-INT-3
19	INTELLISWITCH CONTROL BOARD MOUNT BRACKET	40ZPR000GCB-MB
20	INTELLISWITCH DISPLAY BOARD	33G000S-DB-INT-2
21	INTELLISWITCH SWITCH COVER UNIT MOUNT PLATE	55ZPRINT-2
22	INTELLISWITCH SWITCH COVER REMOTE MOUNT PLATE	55ZPRINT-R-3
23	BEARING RETAINER - RIGHT HAND	40ZPR000BR-R
24	BEARING RETAINER - LEFT HAND	40ZPR000BR-L
25	INTELLISWITCH THERMOSTAT PROBE- 72" STANDARD	9502G072-A
25	INTELLISWITCH THERMOSTAT PROBE- 144"	9502G144-A
26	INTELLISWITCH PROXIMITY SENSOR	9506ND008-NPN-TA
27	INTELLISWITCH DISPLAY 8" RIBBON CABLE	505RC3F4INT-B
28	INTELLISWITCH GEN3 WIFI SERIES "A" BOARD	33G000S-WCA-INT-3
29	INTELLISWITCH WIFI SERIES "A" POWER SUPPLY	9020DC005V015W-C
30	INTELLISWITCH WIFI ANTENNA 2.4G	9022ADW024G2DB-F109
31	INTELLISWITCH WIFI ANTENNA CABLE - 72"	505AC006WF-INT-3
32	INTELLISWITCH TRIGGER	40ZPR000GSS-T
-	INTELLISWITCH REPLACEMENT KIT - 1 MTR (upgrade Gen 1 to Gen 3)	33G008S-KT1-INT-1T2
-	INTELLISWITCH REPLACEMENT KIT - 2 MTR (upgrade Gen 1 to Gen 3)	33G008S-KT2-INT-1T2

*** SPECIFY LENGTH (IN INCHES)
 ** SPECIFY LENGTH (IN INCHES)
 * SPECIFY (L) FOR LEFT OR (R) FOR RIGHT HAND

SHEET 2 OF 2

PROJECT			
LOCATION			
ARCHITECT			
ENGINEER			REV. C
DWG. NO.	ALC08-RP	TITLE:	BERNER
DATE	25MAY2022	MODEL:	ALC08 AIR CURTAIN
BY	S. Beil	REPLACEMENT PARTS	
REPLACES	06MAR2018	BERNER INTERNATIONAL CORP. NEW CASTLE, PA.	
BY	S. Beil		