



# COMMERCIAL LOW PROFILE 8

## Steam Heated Air Curtain

### Data Sheet

For Mounting Heights To 8' (environmental separation)

#### STANDARD CONSTRUCTION

- 8 1/2" high x 13 1/2" deep
- 1/5 hp two speed motor(s)
- Factory installed fan speed/heat switch
- White or black powder coated exterior (Optional: Custom Color or Stainless)
- Wall & Top Mounting
- Optional: Filter (washable)

- Coil Features:
  - Galvanized steel casing
  - 5/8" copper tube with .035" wall
  - Aluminum fins
  - Leak tested at 450 PSI

2 Year  
Limited  
Warranty



| MODEL       | Nozzle Width (in) | Max Vel. at Nozzle (fpm) | Avg. Outlet Vel. (fpm) | Air Volume (cfm) | Outlet Vel. Uniformity | Power Rating (kW) | Motor(s) @ hp | Coil Output (MBH) | Inlet Pressure (PSIG) | Condensate (lbs/hr) | Air Temp. Rise (°F) | Net Wt. (lbs) |
|-------------|-------------------|--------------------------|------------------------|------------------|------------------------|-------------------|---------------|-------------------|-----------------------|---------------------|---------------------|---------------|
| CLC08-1036S | 34.62             | 3,567                    | 1,760                  | 1,005            | 92%                    | 0.32              | 1 @ 1/5       | 42.0              | 5                     | 43.3                | 40°                 | 67            |
| CLC08-1042S | 40.62             | 3,388                    | 1,755                  | 1,176            | 93%                    | 0.32              | 1 @ 1/5       | 49.7              | 5                     | 51.2                | 40°                 | 74            |
| CLC08-1048S | 46.62             | 3,226                    | 1,742                  | 1,340            | 94%                    | 0.32              | 1 @ 1/5       | 57.2              | 5                     | 58.9                | 41°                 | 80            |
| CLC08-1060S | 58.13             | 2,940                    | 1,702                  | 1,632            | 95%                    | 0.32              | 1 @ 1/5       | 71.2              | 5                     | 73.4                | 42°                 | 94            |
| CLC08-1072S | 71.37             | 2,870                    | 1,707                  | 2,010            | 95%                    | 0.32              | 1 @ 1/5       | 88.1              | 5                     | 90.8                | 40°                 | 107           |
| CLC08-2084S | 83.50             | 3,388                    | 1,707                  | 2,351            | 93%                    | 0.64              | 2 @ 1/5       | 103.3             | 5                     | 106.5               | 40°                 | 138           |
| CLC08-2096S | 95.50             | 3,226                    | 1,701                  | 2,679            | 94%                    | 0.64              | 2 @ 1/5       | 118.3             | 5                     | 121.9               | 40°                 | 152           |
| CLC08-2108S | 107.00            | 3,226                    | 1,684                  | 2,971            | 94%                    | 0.64              | 2 @ 1/5       | 133.1             | 5                     | 137.2               | 41°                 | 164           |
| CLC08-2120S | 118.50            | 2,940                    | 1,670                  | 3,263            | 95%                    | 0.64              | 2 @ 1/5       | 146.3             | 5                     | 150.8               | 41°                 | 177           |

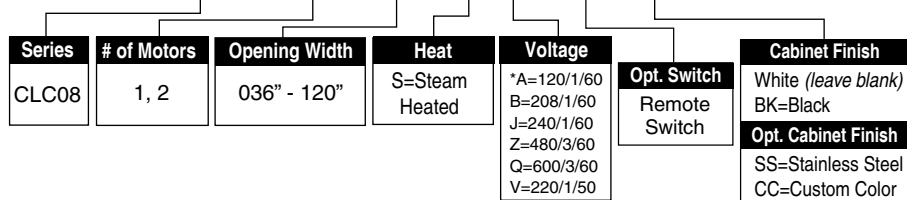
#### NOTES:

1. Operation at 50 Hz will generate approximately a 17% reduction in performance.
2. Performance data based on unheated units.
3. Coil performance based on 65°F entering air temperature.
4. Standard connection same end supply/return.
5. Coil should be field supplied with a solenoid valve that energizes only when air curtain is energized. Consideration must be taken for freeze protection when necessary.
6. Maximum leaving air temperature shall not exceed 120°F.
7. Consult factory for alternate steam pressures or vertically mounted units.

See sheet EP-104 for amp draws/total load requirements.

## MODEL NUMBER CONFIGURATION

### CLC08-1 036 S A-R-SS



\*Suitable for 50hz for Standard offering, leave options (Opt.) blank make sure to specify Cabinet Finish if other than white

Sound level measured 10' (3m) from the unit in free field:  
1 motor: Low/High Speed: 53/54 dBA  
2 motors: Low/High Speed: 56/57 dBA

Berner reserves the right to alter specifications without prior notice.

www.berner.com Berner International 800.245.4455  
111 Progress Ave. / New Castle / PA / 16101 / USA

DS-104  
March, 2020



# COMMERCIAL LOW PROFILE 8

## Steam Heated Air Curtain

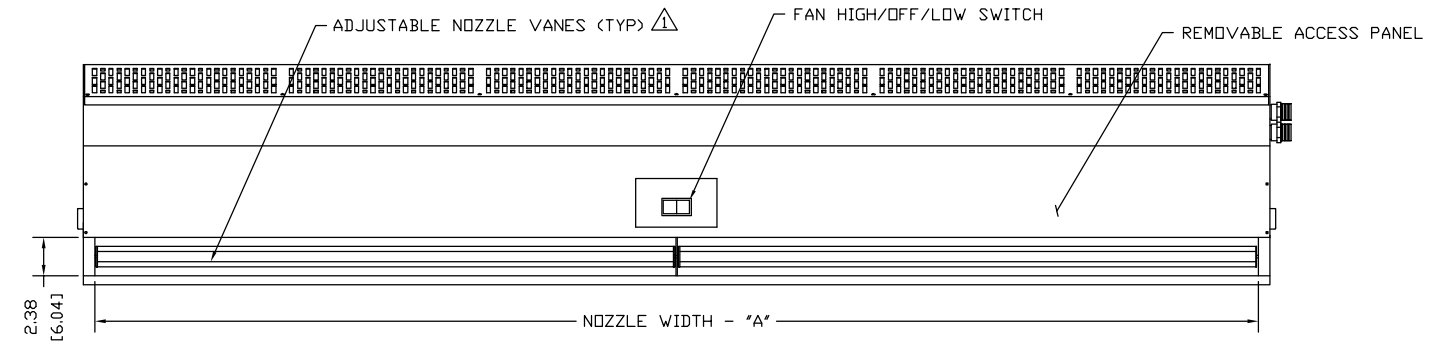
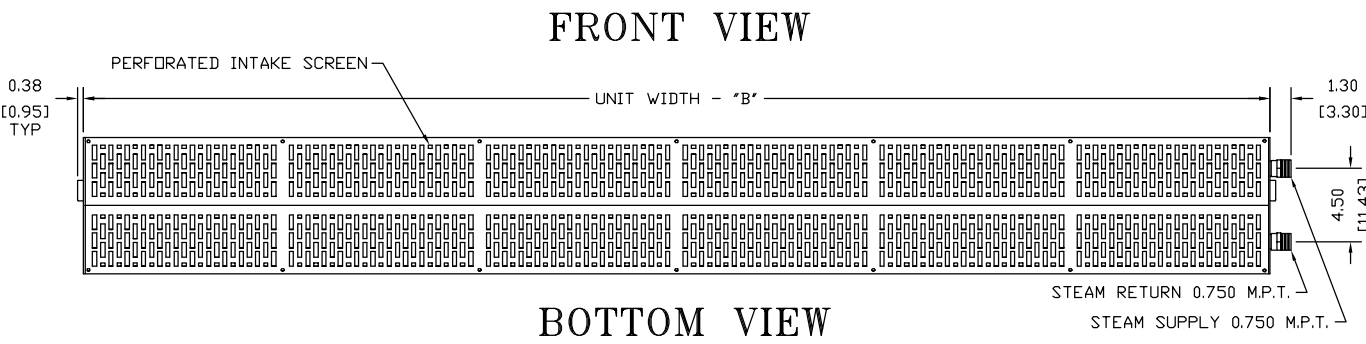
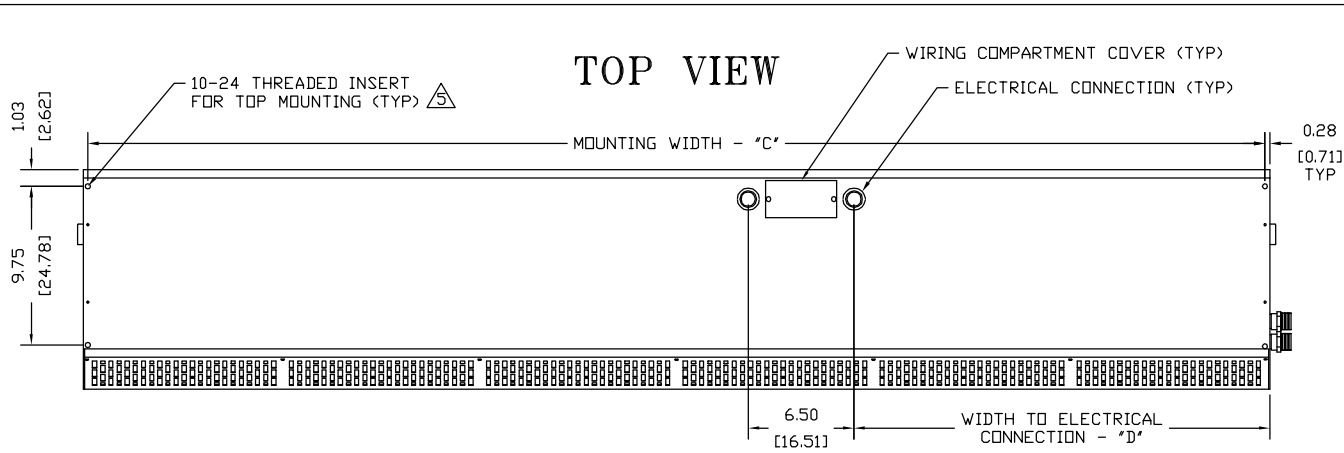
### Electrical Performance Sheet

|   |        | 120/1/60 (voltage code A)<br>MOTOR AMP DRAW = 3.4 each |                            | 208/1/60 (voltage code B)<br>MOTOR AMP DRAW = 1.7 each |                  | 240/1/60 (voltage code J) or<br>220/1/50 (voltage code V)<br>MOTOR AMP DRAW = 1.7 each |        |                  |                            |
|---|--------|--|----------------------------|--|------------------|--|--------|------------------|----------------------------|
| MODEL   | # CKTS | AMPS PER CIRCUIT                                       | BREAKER RATING PER CIRCUIT | # CKTS   | AMPS PER CIRCUIT | BREAKER RATING PER CIRCUIT   | # CKTS | AMPS PER CIRCUIT | BREAKER RATING PER CIRCUIT |
| CLC08-1036S<br>CLC08-1042S<br>CLC08-1048S<br>CLC08-1060S<br>CLC08-1072S | 1      | 3.4  | 15                         | 1  | 1.7              | 15   | 1      | 1.7              | 15                         |
| CLC08-2084S<br>CLC08-2096S<br>CLC08-2108S<br>CLC08-2120S                | 1      | 6.8  | 15                         | 1  | 3.4              | 15   | 1      | 3.4              | 15                         |

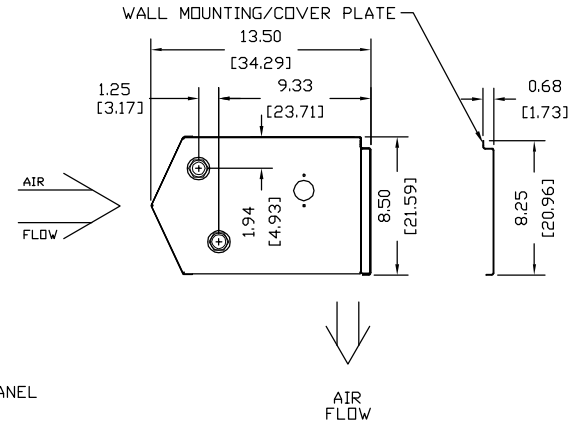
|   |        | 480/3/60 (voltage code Z)<br>MOTOR AMP DRAW = 0.9 each |                            | 600/3/60 (voltage code Q)<br>MOTOR AMP DRAW = 0.6 each |                  |                            |
|---|--------|--|----------------------------|--|------------------|----------------------------|
| MODEL   | # CKTS | AMPS PER CIRCUIT                                       | BREAKER RATING PER CIRCUIT | # CKTS   | AMPS PER CIRCUIT | BREAKER RATING PER CIRCUIT |
| CLC08-1036S<br>CLC08-1042S<br>CLC08-1048S<br>CLC08-1060S<br>CLC08-1072S | 1      | 0.9  | 15                         | 1  | 0.6              | 15                         |
| CLC08-2084S<br>CLC08-2096S<br>CLC08-2108S<br>CLC08-2120S                | 1      | 1.8  | 15                         | 1  | 1.2              | 15                         |

Berner reserves the right to alter specifications without prior notice.



# CLC08 STEAM HEATED

## END VIEW



### NOTES:

- ① AIR CURTAIN MUST BE INSTALLED SO AIR STREAM IS NOT OBSTRUCTED WHEN DEFLECTED 20° TO EITHER SIDE OF C.
- ② ELECTRICAL CONNECTIONS TO BE FLEXIBLE.
- ③ FIELD VERIFY DIMENSIONS.
- ④ ANCHORS TO SUPPORTING STRUCTURE BY OTHERS.
- ⑤ ADEQUACY OF SUPPORTING STRUCTURE IS TO BE VERIFIED BY A PROFESSIONAL STRUCTURAL ENGINEER.
- ⑥ LETTER 'S' IN MODEL NUMBER DESIGNATES STEAM HEATED UNIT.
- ⑦ DIMENSIONS IN INCHES [CENTIMETERS].

| MODEL ⑥     | NOZZLE WIDTH<br>"A" | UNIT WIDTH<br>"B" | MOUNTING WIDTH<br>"C" | ELECTRIC WIDTH<br>"D" |
|-------------|---------------------|-------------------|-----------------------|-----------------------|
| CLC08-1036S | 34.62 [87.95]       | 36.06 [91.60]     | 35.50 [90.17]         | 7.13 [18.10]          |
| CLC08-1042S | 40.62 [103.17]      | 42.06 [106.83]    | 41.50 [105.41]        | 13.13 [33.34]         |
| CLC08-1048S | 46.62 [118.41]      | 48.06 [122.07]    | 47.50 [120.65]        | 13.13 [33.34]         |
| CLC08-1060S | 58.13 [147.65]      | 59.55 [151.26]    | 59.00 [149.86]        | 18.88 [47.94]         |
| CLC08-1072S | 71.37 [181.28]      | 72.81 [184.94]    | 72.25 [183.52]        | 25.50 [64.80]         |
| CLC08-2084S | 83.50 [212.09]      | 84.94 [215.74]    | 84.38 [214.31]        | 13.13 [33.34]         |
| CLC08-2096S | 95.50 [242.57]      | 96.94 [246.23]    | 96.38 [244.79]        | 13.13 [33.34]         |
| CLC08-2108S | 107.00 [271.78]     | 108.44 [275.44]   | 107.88 [274.00]       | 18.88 [47.94]         |
| CLC08-2120S | 118.50 [300.99]     | 119.94 [304.65]   | 119.38 [303.21]       | 18.88 [47.94]         |

|           |           |   |
|-----------|-----------|---|
| PROJECT   |           |   |
| LOCATION  |           |   |
| ARCHITECT |           |   |
| ENGINEER  |           |   |
| DWG. NO.  | CLC08-STM | TITLE: <b>BERNER</b>                          |
| DATE      | 28MAR2016 | MODEL CLC08 AIR CURTAIN                       |
| BY        | S. Beil   | STEAM HEATED SYSTEM                           |
| REPLACES  | 14OCT14   |   |
| BY        | S. Beil   | BERNER INTERNATIONAL CORP.<br>NEW CASTLE, PA. |