



# SANITATION CERTIFIED LOW PROFILE 7

## Ambient (Unheated) Air Curtain

### Data Sheet

For Mounting Heights To 7' (insect control)

#### STANDARD CONSTRUCTION

- EPH Listed per NSF 37
- 8 1/2" high x 8" deep
- 1/5 hp single speed motor(s)
- White or black aluminum exterior cover  
Optional: Custom Color or Stainless)
- Wall & Top Mounting

5 Year  
Limited  
Warranty



for outdoor use



Air Curtain Fans  
for ANSI/NSF37  
Customer Entry  
maximum mounting  
height is 7'

| MODEL       | Nozzle Width (in) | Max Vel. at Nozzle (fpm) | Avg. Outlet Vel. (fpm) | Air Volume (cfm) | Outlet Vel. Uniformity | Power Rating (kW) | Motor(s) @ hp | Net Wt. (lbs) |
|-------------|-------------------|--------------------------|------------------------|------------------|------------------------|-------------------|---------------|---------------|
| SLC07-1036A | 34.62             | 3,621                    | 1,786                  | 1,020            | 92%                    | 0.32              | 1 @ 1/5       | 35            |
| SLC07-1042A | 40.62             | 3,439                    | 1,773                  | 1,188            | 93%                    | 0.32              | 1 @ 1/5       | 38            |
| SLC07-1048A | 46.62             | 3,274                    | 1,769                  | 1,360            | 94%                    | 0.32              | 1 @ 1/5       | 42            |
| SLC07-1060A | 58.13             | 2,984                    | 1,727                  | 1,656            | 95%                    | 0.32              | 1 @ 1/5       | 49            |
| SLC07-1072A | 71.37             | 2,913                    | 1,725                  | 2,031            | 95%                    | 0.32              | 1 @ 1/5       | 56            |
| SLC07-2084A | 83.50             | 3,439                    | 1,725                  | 2,376            | 93%                    | 0.64              | 2 @ 1/5       | 76            |
| SLC07-2096A | 95.50             | 3,274                    | 1,727                  | 2,720            | 94%                    | 0.64              | 2 @ 1/5       | 84            |
| SLC07-2108A | 107.00            | 3,274                    | 1,709                  | 3,016            | 94%                    | 0.64              | 2 @ 1/5       | 91            |
| SLC07-2120A | 118.50            | 2,984                    | 1,695                  | 3,312            | 95%                    | 0.64              | 2 @ 1/5       | 98            |

NOTE: Operation at 50 Hz will generate approximately a 17% reduction in air performance.

See sheet EP-300 for amp draws/total load requirements.

### MODEL NUMBER CONFIGURATION

**SLC07-1 036 A A-SS**

| Series | # of Motors | Opening Width | Heat      | Voltage   | Cabinet Finish  |
|--------|-------------|---------------|-----------|---|---|
| SLC07  | 1, 2        | 036" - 120"   | A=Ambient | *A=120/1/60<br>B=208/1/60<br>J=240/1/60<br>V=220/1/50 | White (leave blank)<br>BK=Black                                     |
|        |             |               |           |   | <b>Opt. Cabinet Finish</b><br>SS=Stainless Steel<br>CC=Custom Color |

\*Suitable for 50hz

make sure to specify Cabinet Finish if other than white

| VELOCITY PROFILE: Model SLC07-1036A |      |      |      |
|-------------------------------------|------|------|------|
| Distance from Nozzle (ft)           | 2    | 3    | 4    |
| Core Velocity (fpm)                 | 1986 | 1643 | 1407 |

Sound level measured 10' (3m) from the unit in free field:  
1 & 2 motor(s): 54 dBA & 57 dBA

Berner reserves the right to alter specifications without prior notice.

www.berner.com **Berner International** 800.245.4455  
111 Progress Ave. / New Castle / PA / 16101 / USA

DS-300  
July, 2017



# SANITATION CERTIFIED LOW PROFILE 7

## Ambient (Unheated) Air Curtain Electrical Performance Sheet

| MODEL   | # CKTS | 120/1/60 (voltage code A)<br>MOTOR AMP DRAW = 3.4 each |                            | # CKTS | 208/1/60 (voltage code B)<br>MOTOR AMP DRAW = 1.7 each |                            | # CKTS | 240/1/60 (voltage code J) or<br>220/1/50 (voltage code V)<br>MOTOR AMP DRAW = 1.7 each |                            |
|---|--------|--|----------------------------|--------|--|----------------------------|--------|--|----------------------------|
|   |        | AMPS PER CIRCUIT                                       | BREAKER RATING PER CIRCUIT |        | AMPS PER CIRCUIT                                       | BREAKER RATING PER CIRCUIT |        | AMPS PER CIRCUIT   | BREAKER RATING PER CIRCUIT |
| SLC07-1036A<br>SLC07-1042A<br>SLC07-1048A<br>SLC07-1060A<br>SLC07-1072A | 1      | 3.4  | 15                         | 1      | 1.7  | 15                         | 1      | 1.7  | 15                         |
| SLC07-2084A<br>SLC07-2096A<br>SLC07-2108A<br>SLC07-2120A                | 1      | 6.8  | 15                         | 1      | 3.4  | 15                         | 1      | 3.4  | 15                         |

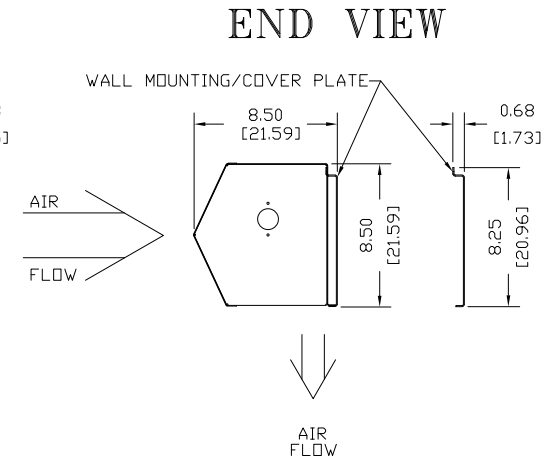
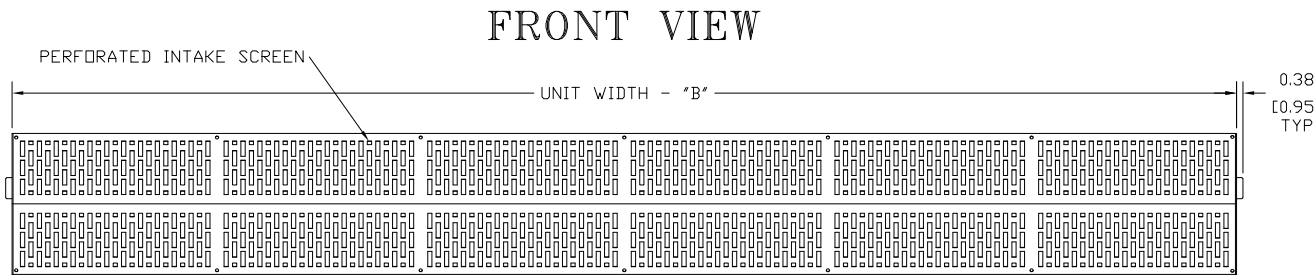
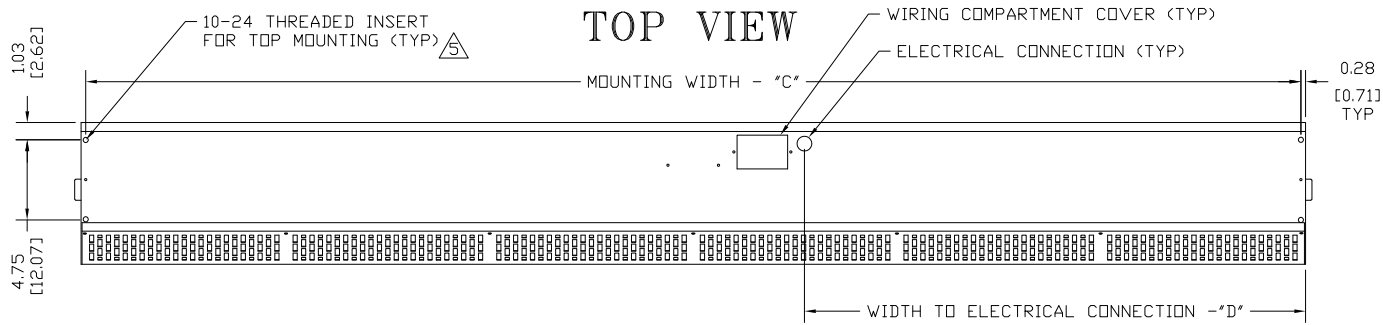
*Berner reserves the right to alter specifications without prior notice.*

**www.berner.com Berner International 800.245.4455**  
111 Progress Ave. / New Castle / PA / 16101 / USA

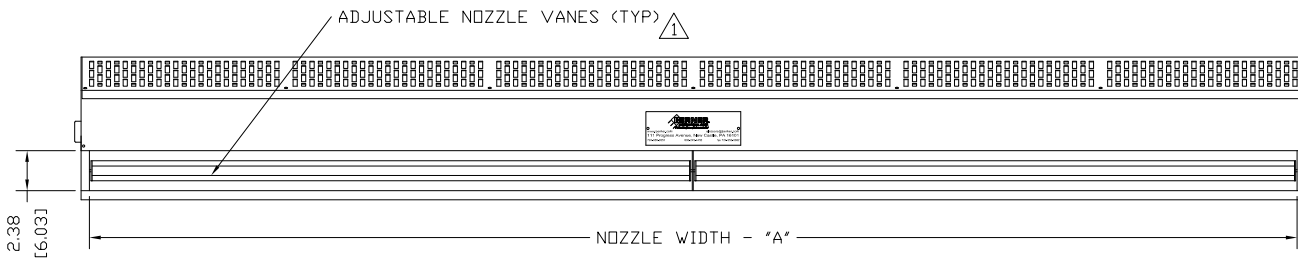
EP-300  
March, 2017

©Copyright, 2017 Berner International

# SLC07 AMBIENT SYSTEM SINGLE SPEED



## BOTTOM VIEW



## NOTES:

- ① AIR CURTAIN MUST BE INSTALLED SO AIR STREAM IS NOT OBSTRUCTED WHEN DEFLECTED 20° TO EITHER SIDE OF  $\phi$ .
- ② ELECTRICAL CONNECTIONS TO BE FLEXIBLE.
- ③ FIELD VERIFY DIMENSIONS.
- ④ ANCHORS TO SUPPORTING STRUCTURE BY OTHERS.
- ⑤ ADEQUACY OF SUPPORTING STRUCTURE IS TO BE VERIFIED BY A PROFESSIONAL STRUCTURAL ENGINEER.
- ⑥ LETTER 'A' IN MODEL NUMBER DESIGNATES AMBIENT UNIT.
- ⑦ DIMENSIONS IN INCHES [CENTIMETERS].

| MODEL ⑥     | NOZZLE WIDTH<br>'A' | UNIT WIDTH<br>'B' | MOUNTING WIDTH<br>'C' | ELECTRIC WIDTH<br>'D' |
|-------------|---------------------|-------------------|-----------------------|-----------------------|
| SLC07-1036A | 34.62 [87.95]       | 36.06 [91.60]     | 35.50 [90.17]         | 9.40 [23.88]          |
| SLC07-1042A | 40.62 [103.17]      | 42.06 [106.83]    | 41.50 [105.41]        | 15.40 [39.12]         |
| SLC07-1048A | 46.62 [118.41]      | 48.06 [122.07]    | 47.50 [120.65]        | 15.40 [39.12]         |
| SLC07-1060A | 58.13 [147.65]      | 59.55 [151.26]    | 59.00 [149.86]        | 21.15 [53.71]         |
| SLC07-1072A | 71.37 [181.28]      | 72.81 [184.94]    | 72.25 [183.52]        | 27.77 [70.54]         |
| SLC07-2084A | 83.50 [212.09]      | 84.94 [215.74]    | 84.38 [214.31]        | 9.40 [23.86]          |
| SLC07-2096A | 95.50 [242.57]      | 96.94 [246.23]    | 96.38 [244.79]        | 15.19 [38.58]         |
| SLC07-2108A | 107.00 [271.78]     | 108.44 [275.44]   | 107.88 [274.00]       | 15.40 [39.12]         |
| SLC07-2120A | 118.50 [300.99]     | 119.94 [304.65]   | 119.38 [303.21]       | 21.15 [53.78]         |



|           |           |   |
|-----------|-----------|---|
| PROJECT   |           | TITLE: <b>BERNER</b>                          |
| LOCATION  |           | MODEL SLC07 CURTAIN                           |
| ARCHITECT |           | AMBIENT SYSTEM                                |
| ENGINEER  |           |   |
| DWG. NO.  | SLC07-AMB | BERNER INTERNATIONAL CORP.<br>NEW CASTLE, PA. |
| DATE      | 30APR2021 |   |
| BY        | S. Beil   |   |
| REPLACES  | 28MAR2016 |   |
| BY        | S. Beil   |   |