



INDUSTRIAL DIRECT DRIVE 14

Electric Heated Air Curtain

Data Sheet

For Mounting Heights To 14' (environmental separation)

STANDARD CONSTRUCTION

- 1 hp single speed motor(s) - direct drive (Optional: two-speed)
- Factory mounted control panel
- Gray powder coated exterior with mill aluminum screen and access panels (Optional: Custom Color or Stainless)
- Wall & Top Mounting
- Front air intake (Optional: top)

- High efficiency Pro-V Nozzle
- Patented venturi open helical element with point suspension
 - Thermal overload protection
 - Galvanized steel frame
- Alternate kW: see sheet EP-412

**2 Year
Limited
Warranty**



MODEL	Nozzle Width (in)	Max Vel. at Nozzle (fpm)	Avg. Outlet Vel. (fpm)	Air Volume (cfm)	Outlet Vel. Uniformity	Power Rating (kW)	Motor(s) @ hp	Max Electric Capacity (kW)	Heater Output (MBH)	Air Temp. Rise (°F)	Net Wt. (lbs)
IDC14-1036E	36.00	7,567	2,738	2,396	87%	1.12	1 @ 1	14.0	47.8	18°	109
IDC14-1042E	42.00	7,040	2,435	2,486	81%	1.12	1 @ 1	14.0	47.8	18°	115
IDC14-1048E	48.00	7,175	2,173	2,535	84%	1.25	1 @ 1	14.0	47.8	17°	120
IDC14-1060E	66.00	6,886	1,620	2,598	80%	1.28	1 @ 1	14.0	47.8	17°	131
IDC14-2060E	66.00	7,520	3,136	4,574	97%	2.07	2 @ 1	28.0	95.6	19°	187
IDC14-2072E	72.00	7,567	2,738	4,792	87%	2.24	2 @ 1	28.0	95.6	18°	196
IDC14-2078E	78.00	7,040	2,575	4,882	81%	2.24	2 @ 1	28.0	95.6	18°	202
IDC14-2084E	84.00	7,040	2,435	4,972	81%	2.24	2 @ 1	28.0	95.6	18°	207
IDC14-2096E	99.00	7,175	2,173	5,070	84%	2.50	2 @ 1	28.0	95.6	17°	217
IDC14-3096E	99.00	7,567	2,987	6,970	87%	3.19	3 @ 1	42.0	143.3	19°	267
IDC14-2108E	108.00	6,886	1,956	5,133	80%	2.53	2 @ 1	28.0	95.6	17°	260
IDC14-3108E	108.00	7,567	2,738	7,188	87%	3.36	3 @ 1	42.0	143.3	18°	310
IDC14-2120E	117.00	6,886	1,827	5,197	80%	2.56	2 @ 1	28.0	95.6	17°	267
IDC14-3120E	117.00	7,040	2,526	7,368	81%	3.36	3 @ 1	42.0	143.3	18°	317
IDC14-3132E	132.00	7,040	2,340	7,507	81%	3.49	3 @ 1	42.0	143.3	18°	338
IDC14-3144E	144.00	7,175	2,173	7,605	84%	3.75	3 @ 1	42.0	143.3	17°	352
IDC14-4144E	144.00	7,567	2,738	9,584	87%	4.48	4 @ 1	56.0	191.1	18°	402
IDC14-4156E	156.00	7,040	2,575	9,764	81%	4.48	4 @ 1	56.0	191.1	18°	418
IDC14-4168E	168.00	7,040	2,435	9,944	81%	4.48	4 @ 1	56.0	191.1	18°	430
IDC14-4180E	180.00	7,040	2,295	10,042	81%	4.74	4 @ 1	56.0	191.1	18°	443
IDC14-5180E	180.00	7,567	2,738	11,980	87%	5.60	5 @ 1	70.0	238.9	18°	493
IDC14-4192E	192.00	7,175	2,173	10,140	84%	5.00	4 @ 1	56.0	191.1	17°	455
IDC14-5192E	192.00	7,175	2,580	12,040	84%	5.69	5 @ 1	70.0	238.9	18°	505

NOTES:

1. Operation at 50 Hz will generate approximately a 17% reduction in performance.
2. Performance data based on AMCA licensed data from unheated units.
3. Maximum leaving air temperature shall not exceed 120°F.
4. Consult factory for available models with 208/240/1 power supplies and vertically mounted units.

Berner does not recommend IDC14-1060E, IDC14-2108E and IDC14-2120E, exist only as an equivalent to competitors' models.

See sheet EP-412 for amp draws/total load requirements and alternate kW.

MODEL NUMBER CONFIGURATION

IDC14-1 036 E X-140-F-SS

Series	# of Motors	Opening Width	Heat	Voltage	Standard kW	Intake	Opt. Cabinet Finish
IDC14	1, 2, 3, 4, 5	036" - 192"	E=Electric Heated	X=208/3/60 Y=240/3/60 Z=480/3/60 Q=600/3/60 O=380/3/50	14.0 - 70.0 (140 - 700)	T=Top F=Front	SS=Stainless Steel CC=Custom Color

See sheet EP-412
for alternate
kW code

Sound level measured 10' (3m) from the unit in free field:
1, 2, 3, 4 & 5 motor(s): 66 dBA, 69 dBA, 71 dBA, 72 dBA & 73 dBA

Berner reserves the right to alter specifications without prior notice.

www.berner.com **Berner International** 800.245.4455
111 Progress Ave. / New Castle / PA / 16101 / USA

DS-412
May, 2022



INDUSTRIAL DIRECT DRIVE 14

Electric Heated Air Curtain Electrical Performance Sheet

MODEL	kW (code)	Temp Rise °F	208/3/60 (voltage code X) MOTOR AMP DRAW = 6.5 each			240/3/60 (voltage code Y) MOTOR AMP DRAW = 6.5 each			480/3/60 (voltage code Z) MOTOR AMP DRAW = 3.2 each		
			# CKTS	AMPS PER CIRCUIT (including motor)	BREAKER RATING PER CIRCUIT	# CKTS	AMPS PER CIRCUIT (including motor)	BREAKER RATING PER CIRCUIT	# CKTS	AMPS PER CIRCUIT (including motor)	BREAKER RATING PER CIRCUIT
IDC14-1036E IDC14-1042E IDC14-1048E IDC14-1060E	14 (140)	18	1	45.4	60	1	40.2	60	1	20.0	25
	10 (100)	13	1	34.3	45	1	30.6	40	1	15.2	20
	8 (080)	11	1	28.7	40	1	25.7	35	1	12.8	20
	6 (060)	8	1	23.2	30	1	20.9	30	1	10.4	15
IDC14-2060E IDC14-2072E IDC14-2078E IDC14-2084E IDC14-2096E IDC14-2108E IDC14-2120E	28 (280)	18	2	45.4/45.4	60/60	2	46.7/33.7	60/45	1	40.1	50
	20 (200)	13	2	40.8/27.8	50/35	2	37.1/24.1	45/35	1	30.5	40
	16 (160)	11	2	35.2/22.2	45/30	2	32.2/19.2	40/25	1	25.6	35
	12 (120)	8	1	46.3	60	1	41.9	60	1	20.8	30
IDC14-3096E IDC14-3108E IDC14-3120E IDC14-3132E IDC14-3144E	42 (420)	18	3	45.4/45.4/45.4	60/60/60	3	46.7/40.2/33.7	60/60/45	2	26.4/33.7	35/45
	30 (300)	13	3	47.3/27.8/27.8	60/35/35	2	43.6/48.1	60/60	1	45.7	60
	24 (240)	11	2	41.7/44.4	50/60	2	38.7/38.5	50/50	1	38.5	50
	18 (180)	8	2	36.2/33.3	45/45	2	33.9/28.9	40/40	1	31.3	40
IDC14-4144E IDC14-4156E IDC14-4168E IDC14-4180E IDC14-4192E	56 (560)	18	4	45.4/45.4/45.4/45.4	60/60/60/60	4	46.7/46.7/33.7/33.7	60/60/45/45	2	46.5/33.7	60/45
	40 (400)	13	4	40.8/40.8/27.8/27.8	50/50/35/35	3	37.1/37.1/48.1	45/45/60	2	36.9/24.1	45/35
	32 (320)	11	3	35.2/35.2/44.4	45/45/60	3	32.2/32.2/38.5	40/40/50	2	41.7/9.6	50/15
	24 (240)	8	2	46.3/46.3	60/60	2	40.4/43.3	50/60	1	41.7	50
IDC14-5180E IDC14-5192E	70 (700)	18	5	45.4/45.4/45.4/45.4/45.4	60/60/60/60/60	5	46.7/46.7/40.2/33.7/33.7	60/60/60/45/45	3	32.8/33.7/33.7	40/45/45
	50 (500)	13	5	47.3/40.8/27.8/27.8/27.8	60/50/35/35/35	4	43.6/37.1/48.1/24.1	60/45/60/35	2	40.1/36.1	50/50
	40 (400)	11	4	41.7/35.2/44.4/22.2	50/45/60/30	3	45.2/45.0/38.5	60/60/50	2	35.2/28.9	45/40
	30 (300)	8	3	49.2/33.3/33.3	60/45/45	3	46.9/28.9/28.9	60/40/40	2	30.4/21.7	35/30



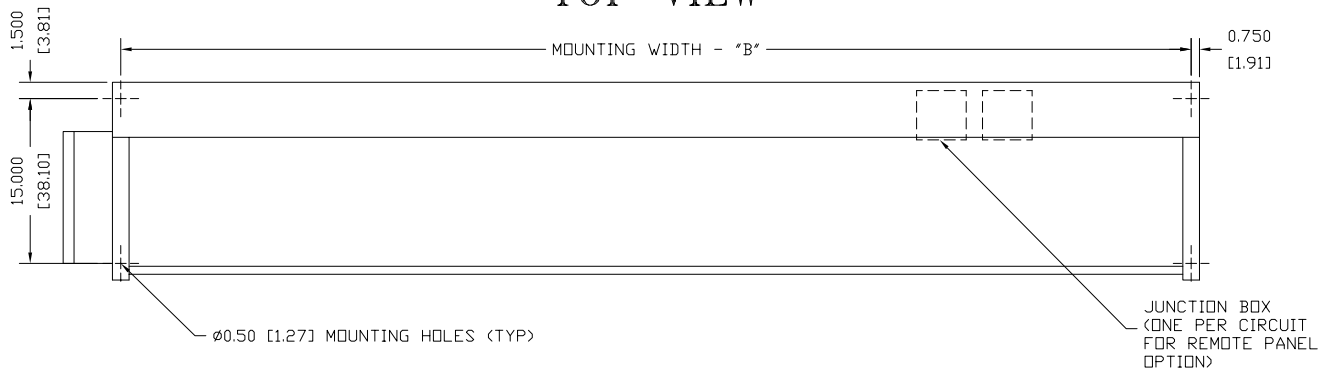
INDUSTRIAL DIRECT DRIVE 14

Electric Heated Air Curtain

Electrical Performance Sheet

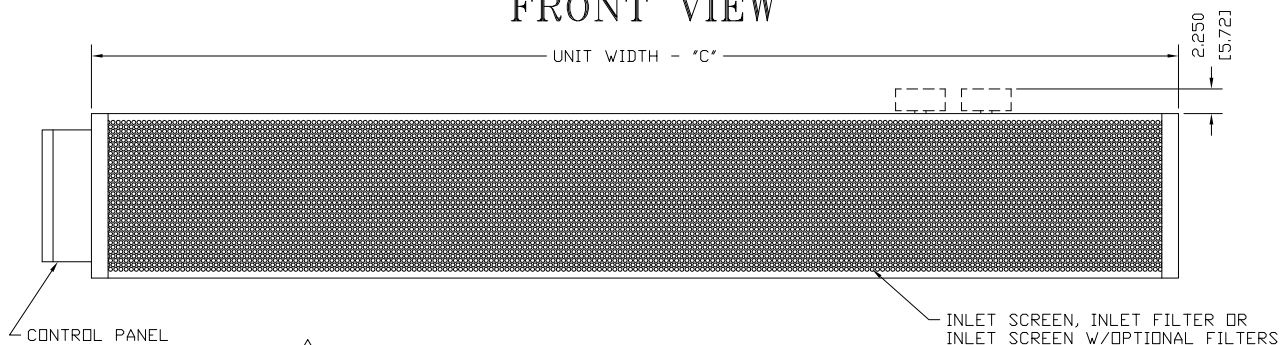
MODEL	kW (code)	Temp Rise °F	600/3/60 (voltage code Q) MOTOR AMP DRAW = 2.0 each			380/3/50 (voltage code O) MOTOR AMP DRAW = 6.5 each		
			# CKTS	AMPS PER CIRCUIT (including motor)	BREAKER RATING PER CIRCUIT	# CKTS	AMPS PER CIRCUIT (including motor)	BREAKER RATING PER CIRCUIT
IDC14-1036E IDC14-1042E IDC14-1048E IDC14-1060E	14 (140)	18	1	15.5	25	1	27.8	35
	10 (100)	13	1	11.6	15	1	21.7	30
	8 (080)	11	1	9.7	15	1	18.7	25
	6 (060)	8	1	7.8	15	1	15.6	20
IDC14-2060E IDC14-2072E IDC14-2078E IDC14-2084E IDC14-2096E IDC14-2108E IDC14-2120E	28 (280)	18	1	30.9	40	2	34.6/21.3	45/30
	20 (200)	13	1	23.2	30	1	43.4	60
	16 (160)	11	1	19.4	25	1	37.3	45
	12 (120)	8	1	15.5	20	1	31.2	40
IDC14-3096E IDC14-3108E IDC14-3120E IDC14-3132E IDC14-3144E	42 (420)	18	1	46.4	60	3	40.8/21.3/21.3	50/30/30
	30 (300)	13	1	34.9	45	2	34.7/30.4	45/40
	24 (240)	11	1	29.1	40	2	43.8/12.2	60/20
	18 (180)	8	1	23.3	30	1	46.8	60
IDC14-4144E IDC14-4156E IDC14-4168E IDC14-4180E IDC14-4192E	56 (560)	18	2	34.9/226.9	45/35	3	47.3/42.5/21.3	60/60/30
	40 (400)	13	1	46.5	60	2	41.2/45.6	50/60
	32 (320)	11	1	38.8	50	2	38.2/36.5	45/50
	24 (240)	8	1	31.1	40	2	44.2/18.2	60/25
IDC14-5180E IDC14-5192E	70 (700)	18	2	36.9/40.4	45/60	4	47.3/27.8/42.5/21.3	60/35/60/30
	50 (500)	13	2	29.2/28.9	35/40	3	47.7/30.4/30.4	60/40/40
	40 (400)	11	2	33.1/15.4	40/20	3	44.7/36.5/12.2	50/50/20
	30 (300)	8	1	38.9	50	2	45.5/45.6	50/50

TOP VIEW

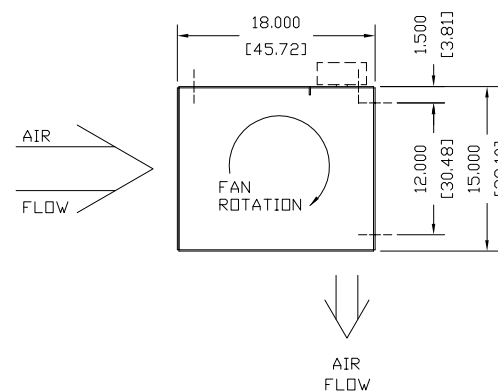


IDC 14 ELECTRIC HEATED

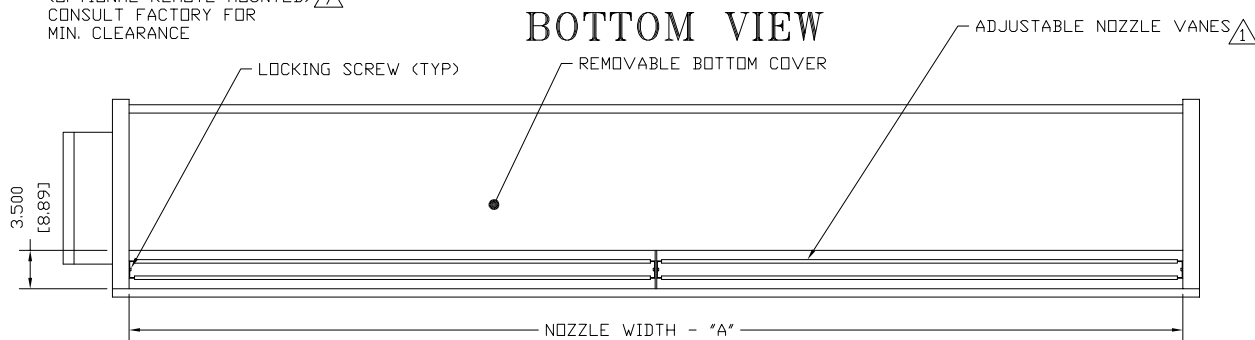
FRONT VIEW



END VIEW



BOTTOM VIEW



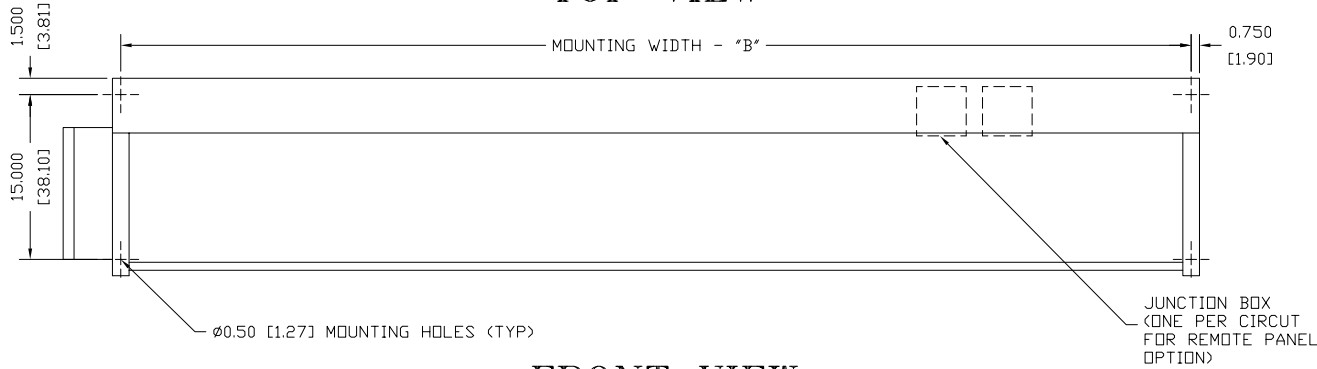
MODEL [Ⓐ]	NOZZLE WIDTH "A"	MOUNTING WIDTH "B"	UNIT WIDTH "C"
IDC14-1036E	36.00 [91.44]	37.50 [95.25]	39.00 [99.06]
IDC14-1042E	42.00 [106.68]	43.50 [110.49]	45.00 [114.30]
IDC14-1048E	48.00 [121.92]	49.50 [125.73]	51.00 [129.54]
IDC14-1060E/2060E	66.00 [167.64]	67.50 [171.45]	69.00 [175.26]
IDC14-2072E	72.00 [182.88]	73.50 [186.69]	75.00 [190.50]
IDC14-2078E	78.00 [192.12]	79.50 [201.93]	81.00 [205.74]
IDC14-2084E	84.00 [213.36]	85.50 [217.17]	87.00 [220.98]
IDC14-2096E/3096E	99.00 [251.46]	100.50 [255.27]	102.00 [259.08]
IDC14-2108E/3108E	108.00 [274.32]	109.50 [278.13]	111.00 [281.94]
IDC14-2120E/3120E	117.00 [297.18]	118.50 [300.99]	120.00 [304.80]
IDC14-3132E	132.00 [335.28]	133.50 [339.09]	135.00 [342.90]
IDC14-3144E/4144E	144.00 [365.76]	145.50 [369.57]	147.00 [373.38]

NOTES:

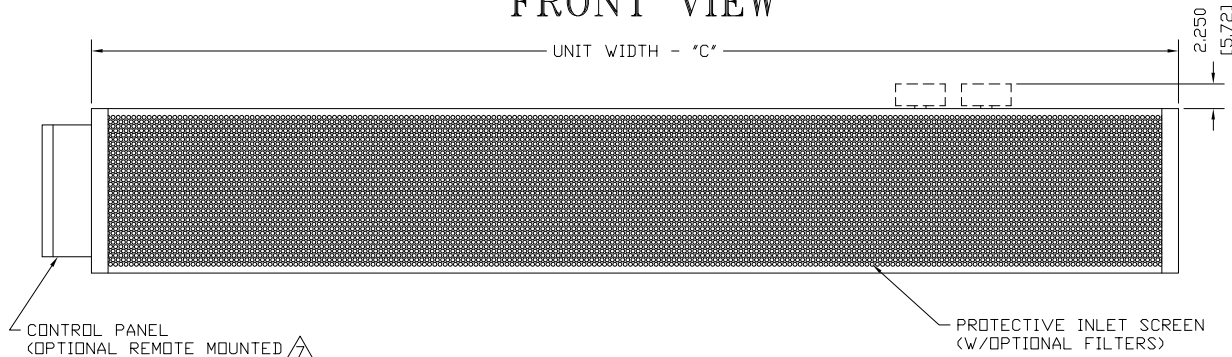
- Ⓐ AIR CURTAIN MUST BE INSTALLED SO AIR STREAM IS NOT OBSTRUCTED WHEN DEFLECTED 20° TO EITHER SIDE OF \square .
- Ⓑ ELECTRICAL CONNECTIONS TO BE FLEXIBLE.
- Ⓒ FIELD VERIFY DIMENSIONS.
- Ⓓ ANCHORS TO SUPPORTING STRUCTURE BY OTHERS.
- Ⓔ ADEQUACY OF SUPPORTING STRUCTURE IS TO BE VERIFIED BY A PROFESSIONAL STRUCTURAL ENGINEER.
- Ⓕ LETTER "E" IN MODEL NUMBER DESIGNATES, ELECTRIC HEATED UNIT.
- Ⓖ STANDARD CONTROL PANEL LEFT HAND MOUNT, OPTIONAL RIGHT HAND MOUNT, OR REMOTE. PLEASE SPECIFY.
- Ⓗ DIMENSIONS IN INCHES [CENTIMETERS].

PROJECT		
LOCATION		
ARCHITECT		
ENGINEER		
DWG. NO.	IDC14-ELE1	TITLE: BERNER
DATE	29MAY14	MODEL IDC14 AIR CURTAIN
BY	S. Beil	ELECTRIC HEATED SYSTEM
REPLACES	-	
BY	-	BERNER INTERNATIONAL CORP. NEW CASTLE, PA.

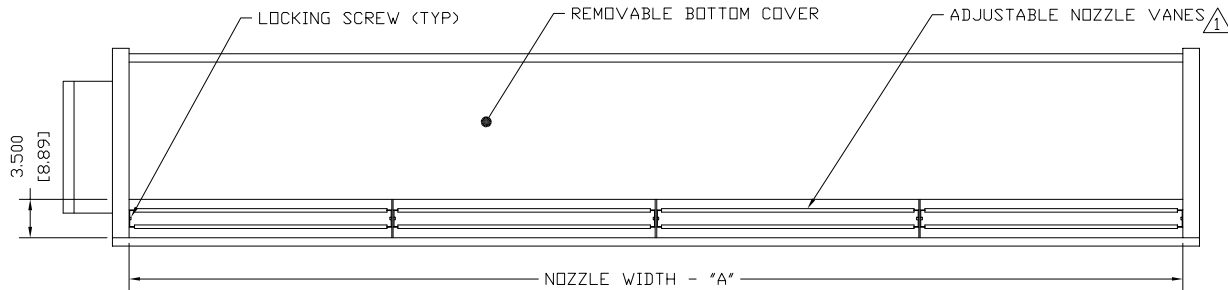
TOP VIEW



FRONT VIEW



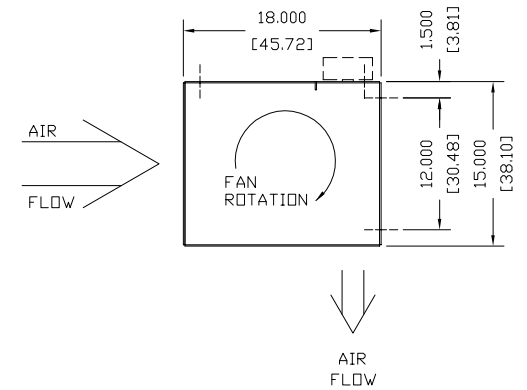
BOTTOM VIEW



MODEL [⚠]	NOZZLE WIDTH "A"	MOUNTING WIDTH "B"	UNIT WIDTH "C"
IDC14-4156E	156.00 [396.24]	157.50 [400.05]	159.00 [403.86]
IDC14-4168E	168.00 [426.72]	169.50 [430.53]	171.00 [434.34]
IDC14-4180E/5180E	180.00 [457.20]	181.50 [461.01]	183.00 [464.82]
IDC14-4192E/5192E	192.00 [487.68]	193.50 [491.49]	195.00 [495.30]

IDC14 ELECTRIC HEATED

END VIEW

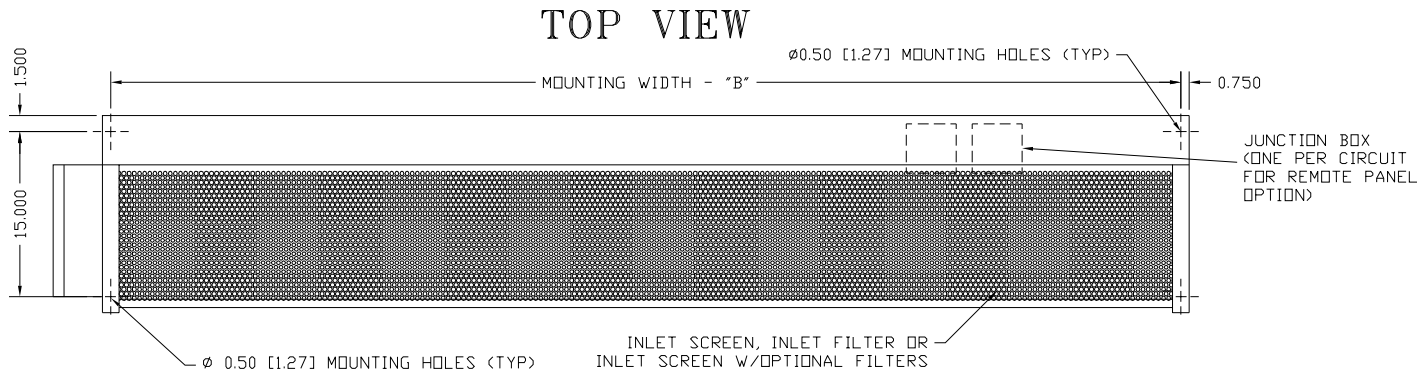


NOTES:

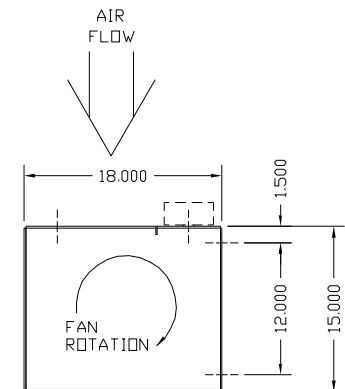
- ⚠ AIR CURTAIN MUST BE INSTALLED SO AIR STREAM IS NOT OBSTRUCTED WHEN DEFLECTED 20° TO EITHER SIDE OF C.
- ⚠ ELECTRICAL CONNECTIONS TO BE FLEXIBLE.
- ⚠ FIELD VERIFY DIMENSIONS.
- ⚠ ANCHORS TO SUPPORTING STRUCTURE BY OTHERS.
- ⚠ ADEQUACY OF SUPPORTING STRUCTURE IS TO BE VERIFIED BY A PROFESSIONAL STRUCTURAL ENGINEER.
- ⚠ LETTER "E" IN MODEL NUMBER DESIGNATES, ELECTRIC HEATED UNIT.
- ⚠ STANDARD CONTROL PANEL LEFT HAND MOUNT, OPTIONAL RIGHT HAND MOUNT, OR REMOTE. PLEASE SPECIFY.
- ⚠ DIMENSIONS IN INCHES [CENTIMETERS].

PROJECT		
LOCATION		
ARCHITECT		
ENGINEER		
DWG. NO.	IDC14-ELE2	TITLE: BERNER
DATE	29MAY14	MODEL IDC14 AIR CURTAIN
BY	S. Beil	ELECTRIC HEATED SYSTEM
REPLACES	-	BERNER INTERNATIONAL CORP. NEW CASTLE, PA.
BY	-	

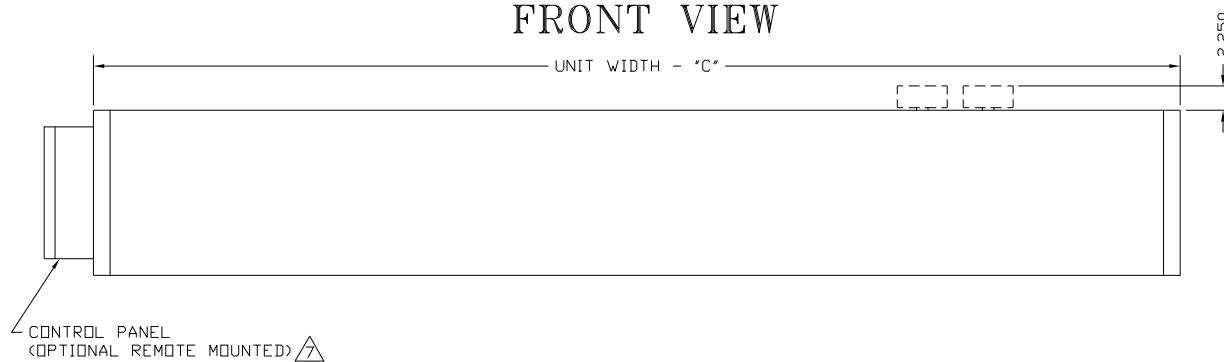
IDC 14 ELECTRIC HEATED TOP INTAKE



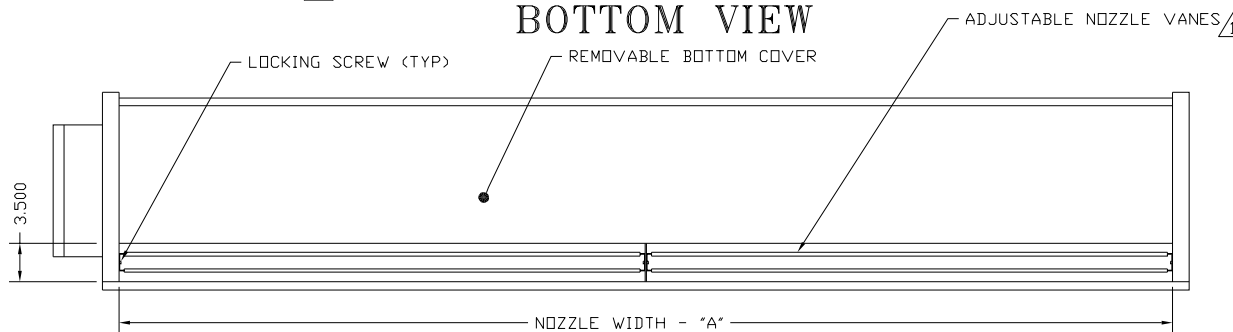
END VIEW



FRONT VIEW



BOTTOM VIEW



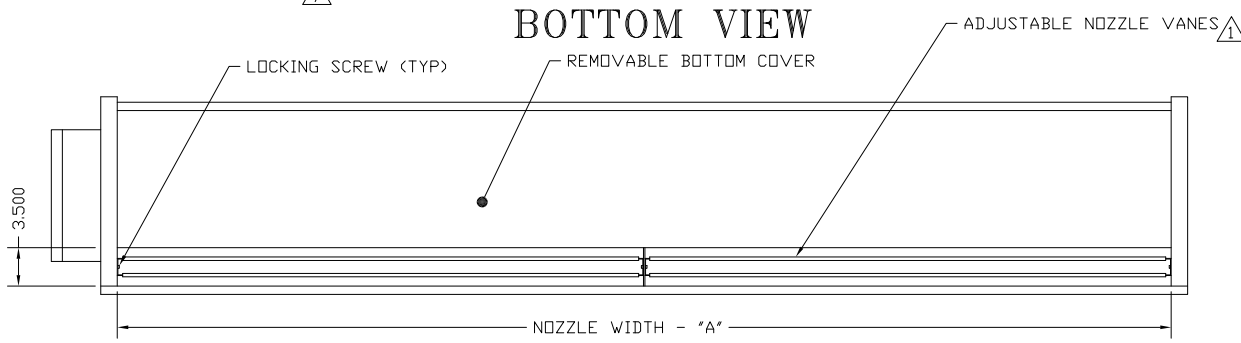
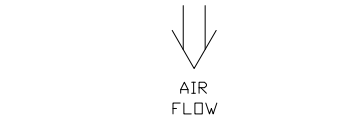
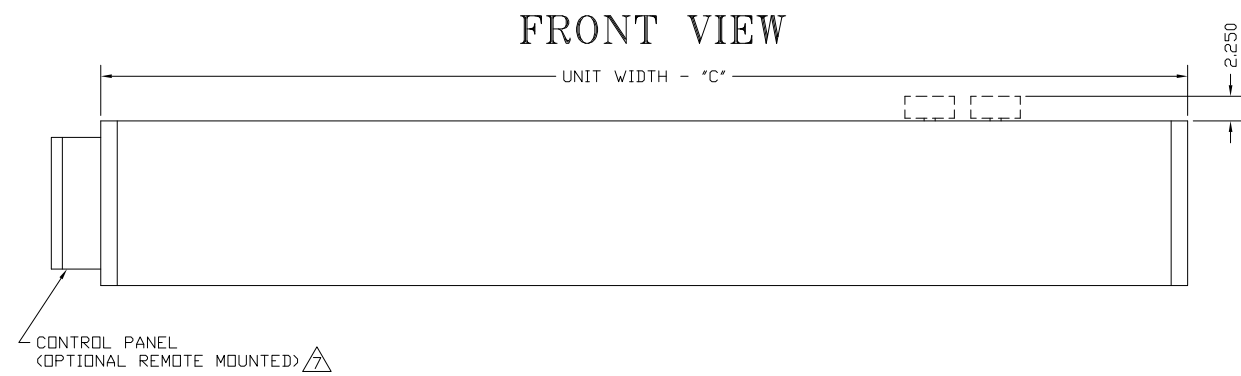
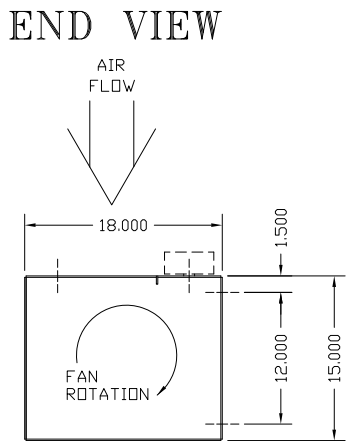
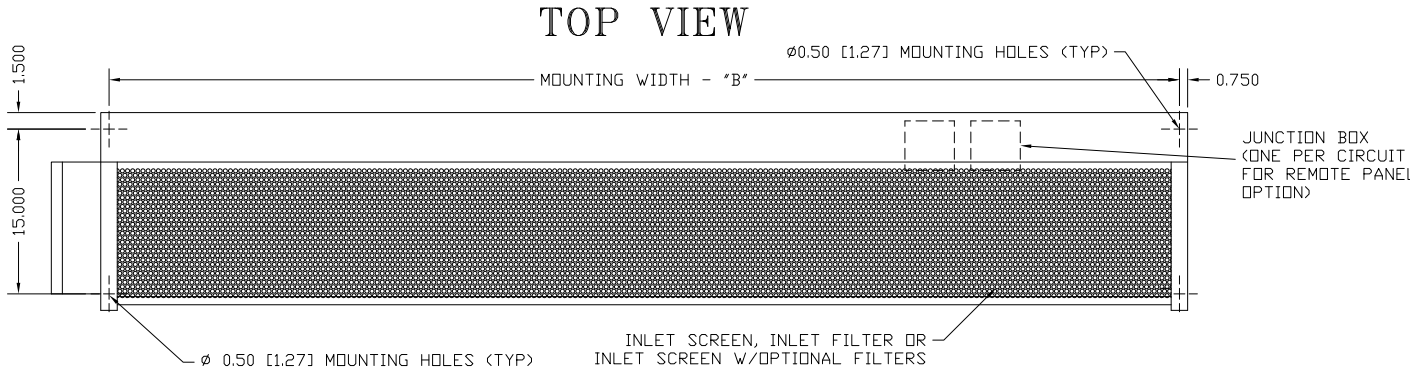
NOTES:

- ⚠ AIR CURTAIN MUST BE INSTALLED SO AIR STREAM IS NOT OBSTRUCTED WHEN DEFLECTED 20° TO EITHER SIDE OF C.
- ⚠ ELECTRICAL CONNECTIONS TO BE FLEXIBLE.
- ⚠ FIELD VERIFY DIMENSIONS.
- ⚠ ANCHORS TO SUPPORTING STRUCTURE BY OTHERS.
- ⚠ ADEQUACY OF SUPPORTING STRUCTURE IS TO BE VERIFIED BY A PROFESSIONAL STRUCTURAL ENGINEER.
- ⚠ LETTER "E" IN MODEL NUMBER DESIGNATES, ELECTRIC HEATED UNIT.
- ⚠ STANDARD CONTROL PANEL LEFT HAND MOUNT, OPTIONAL RIGHT HAND MOUNT, OR REMOTE. PLEASE SPECIFY.
- ⚠ DIMENSIONS IN INCHES [CENTIMETERS].

MODEL ⚠	NOZZLE WIDTH "A"	MOUNTING WIDTH "B"	UNIT WIDTH "C"
IDC14-1036E	36.00 [91.44]	37.50 [95.25]	39.00 [99.06]
IDC14-1042E	42.00 [106.68]	43.50 [110.49]	45.00 [114.30]
IDC14-1048E	48.00 [121.92]	49.50 [125.73]	51.00 [129.54]
IDC14-1060E/2060E	66.00 [167.64]	67.50 [171.45]	69.00 [175.26]
IDC14-2072E	72.00 [182.88]	73.50 [186.69]	75.00 [190.50]
IDC14-2078E	78.00 [192.12]	79.50 [201.93]	81.00 [205.74]
IDC14-2084E	84.00 [213.36]	85.50 [217.17]	87.00 [220.98]
IDC14-2096E/3096E	99.00 [251.46]	100.50 [255.27]	102.00 [259.08]
IDC14-2108E/3108E	108.00 [274.32]	109.50 [278.13]	111.00 [281.94]
IDC14-2120E/3120E	117.00 [297.18]	118.50 [300.99]	120.00 [304.80]
IDC14-3132E	132.00 [335.28]	133.50 [339.09]	135.00 [342.90]
IDC14-3144E/4144E	144.00 [365.76]	145.50 [369.57]	147.00 [373.38]

PROJECT		
LOCATION		
ARCHITECT		
ENGINEER		
DWG. NO.	IDC14-D0472	TITLE: BERNER
DATE	08JULY2015	MODEL IDC14 AIR CURTAIN
BY	A. Johnston	TOP INTAKE - ELECTRIC HEATED SYSTEM
REPLACES	05FEB2015	
BY	S. Beil	BERNER INTERNATIONAL CORP. NEW CASTLE, PA.

IDC 14 ELECTRIC HEATED TOP INTAKE



NOTES:

- ⚠ AIR CURTAIN MUST BE INSTALLED SO AIR STREAM IS NOT OBSTRUCTED WHEN DEFLECTED 20° TO EITHER SIDE OF ϕ .
- ⚠ ELECTRICAL CONNECTIONS TO BE FLEXIBLE.
- ⚠ FIELD VERIFY DIMENSIONS.
- ⚠ ANCHORS TO SUPPORTING STRUCTURE BY OTHERS.
- ⚠ ADEQUACY OF SUPPORTING STRUCTURE IS TO BE VERIFIED BY A PROFESSIONAL STRUCTURAL ENGINEER.
- ⚠ LETTER "E" IN MODEL NUMBER DESIGNATES, ELECTRIC HEATED UNIT.
- ⚠ STANDARD CONTROL PANEL LEFT HAND MOUNT, OPTIONAL RIGHT HAND MOUNT, OR REMOTE. PLEASE SPECIFY.
- ⚠ DIMENSIONS IN INCHES [CENTIMETERS].

MODEL ⚠	NOZZLE WIDTH "A"	MOUNTING WIDTH "B"	UNIT WIDTH "C"
IDC14-4156E	156.00 [396.24]	157.50 [400.05]	159.00 [403.86]
IDC14-4168E	168.00 [426.72]	169.50 [430.53]	171.00 [434.34]
IDC14-4180E/5180E	180.00 [457.20]	181.50 [461.01]	183.00 [464.82]
IDC14-4192E/5192E	192.00 [487.68]	193.50 [491.49]	195.00 [495.30]

PROJECT		
LOCATION		
ARCHITECT		
ENGINEER		
DWG. NO.	IDC14-ELE4	TITLE: BERNER
DATE	10OCT2017	MODEL IDC14 AIR CURTAIN
BY	S. Bell	TOP INTAKE - ELECTRIC HEATED SYSTEM
REPLACES	-	BERNER INTERNATIONAL CORP. NEW CASTLE, PA.
BY	-	