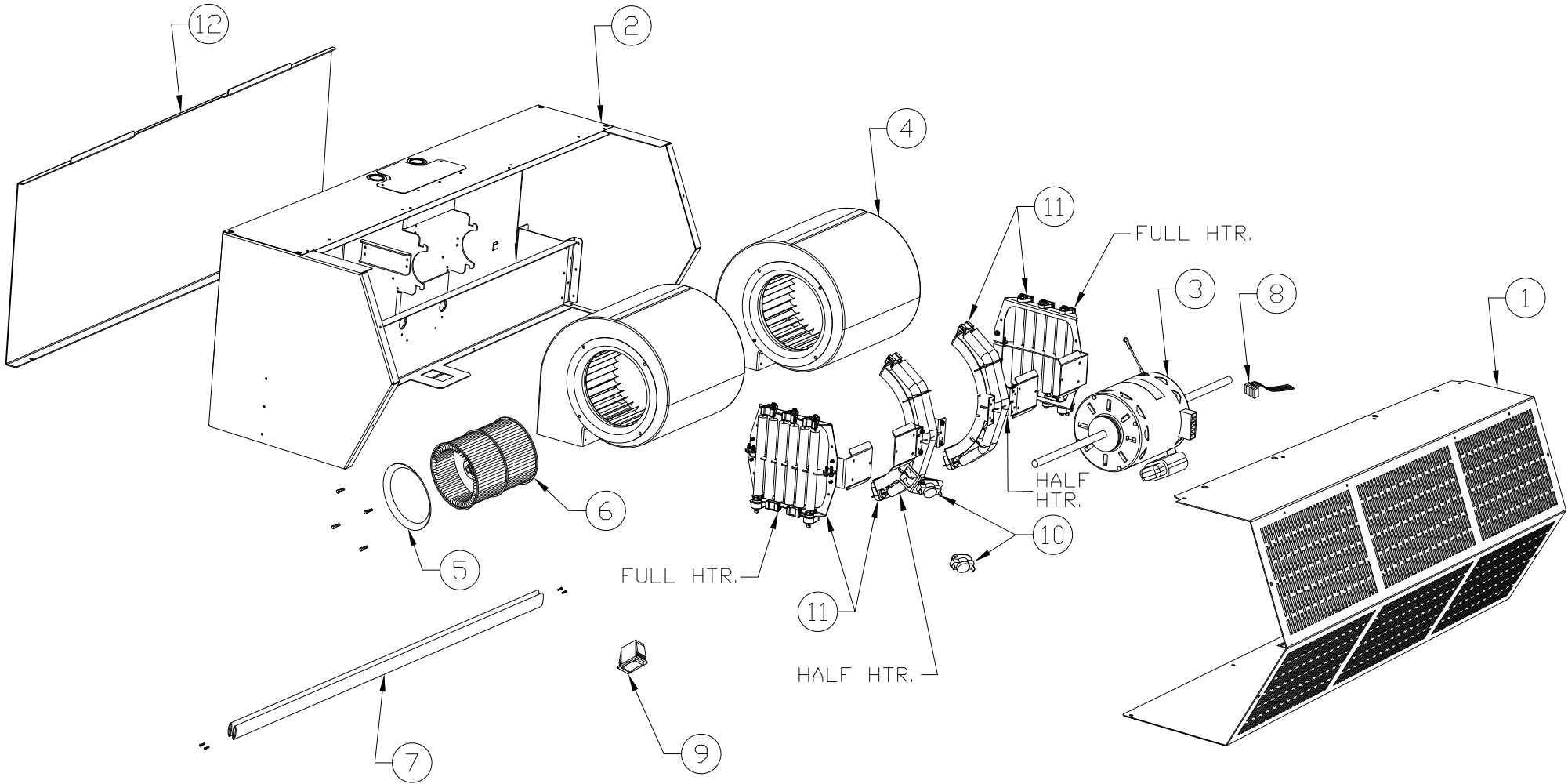


CHD 10 REPLACEMENT PARTS



SHEET 1 OF 2

PROJECT			
LOCATION			
ARCHITECT			
ENGINEER			REV. A
DWG. NO.	CHD10-RP	TITLE: BERNER MODEL CHD10 AIR DOOR REPLACEMENT PARTS	
DATE	24MAY2018		
BY	S. BEIL	BERNER INTERNATIONAL CORP. NEW CASTLE, PA.	
REPLACES	4DEC2017		
BY	K. KAUFMAN		

CHD 10

REPLACEMENT PARTS

ITEM	DESCRIPTION	PART #
1	INLET SCREEN	40LWD***IS-**
2	FRAME ASSEMBLY (1 MOTOR)	43LWD***MC-1A1
2	FRAME ASSEMBLY (2 MOTOR)	43LWD***MC-1A2
2	FRAME ASSEMBLY (3 MOTOR)	43LWD***MC-1A3
3	MTR - 1/2 HP, (120V, 1 PH - 6.67" WIDE)	011F2048F4X18A-A
3	MTR - 1/2 HP, (208-240V, 1 PH - 6.67" WIDE)	011F2048F4X18B-A
3	MTR - 1/2 HP, (480V, 1 PH - 6.67" WIDE)	011F2048F4X18Z-A
3	MTR - 1/2 HP, (600V, 1 PH - 6.67" WIDE)	011F2048F4X18Q-A
4	BLOWER HOUSING & WHEEL ASSEMBLY	29B631S012G-L
5	VENTURI RING	20B631-G
6	BLOWER WHEEL	0204063112L
7	NOZZLE VANE (specify vane length - inches)	06ALM516ARF-121
8	WIRING HARNESS (120/208-240V, 1 PH)	505WH115ARA
8	WIRING HARNESS (480-600V, 1 PH)	505WH0006MC
9	ROCKER SWITCH, SNGL-20A, BEZEL MNT, DPST, (FAN ON/OFF)	33A020B-DS
9	ROCKER SWITCH, SNGL-20A, BEZEL MNT, SPTT, (HIGH-MED-LOW)	33A020B-ST
9	ROCKER SWITCH, SNGL-20A, BEZEL MNT, DPDT, (FAN-OFF-FAN/HEAT)	33A020B-DD
10	THERMAL CUTOUT	36A145-105-90
11	VENTURI HEATER SET (7KW 208V) - new (-F) = FULL HEATER, (-H) = HALF HEATER	11VTH047D-F 11VTH023D-H
11	VENTURI HEATER SET (7KW 240V) - new (-F) = FULL HEATER, (-H) = HALF HEATER	11VTH047E-F 11VTH023E-H
11	VENTURI HEATER SET (7KW 480V) - new (-F) = FULL HEATER, (-H) = HALF HEATER	11VTH047H-F 11VTH023H-H
11	VENTURI HEATER SET (7KW 600V) - new (-F2) = FULL HEATER, (-H2) = HALF HEATER	11VTH047I-F2 11VTH023I-H2
11	VENTURI HEATER SET (5KW 600V) - new (-F2) = FULL HEATER, (-H2) = HALF HEATER	11VTH033I-F2 11VTH017I-H2
11	VENTURI HEATER SET (4KW 600V) - new (-F2) = FULL HEATER, (-H2) = HALF HEATER	11VTH027I-F2 11VTH013I-H2
11	VENTURI HEATER SET (3KW 600V) - new (-F2) = FULL HEATER, (-H2) = HALF HEATER	11VTH020I-F2 11VTH010I-H2
12	WALL MOUNTING PLATE	40LWD***WMP-**



*** SPECIFY LENGTH (IN INCHES)
 ** SPECIFY WHITE ALUM (WA) OR STAINLESS STEEL (SS)
 † BOTH HEATERS ARE REQUIRED FOR FULL KW

SHEET 2 OF 2

PROJECT			
LOCATION			
ARCHITECT			
ENGINEER			REV. A
DWG. NO.	CHD10-RP	TITLE:	BERNER
DATE	24MAY2018	MODEL CHD10 AIR DOOR	
BY	S. BEIL	REPLACEMENT PARTS	
REPLACES	4DEC2017	BERNER INTERNATIONAL CORP. NEW CASTLE, PA.	
BY	K. KAUFMAN		