



ARCHITECTURAL HIGH PERFORMANCE 10

Steam Heated Air Curtain

Data Sheet

For Mounting Heights To 10' (environmental separation)

STANDARD CONSTRUCTION

- 12 ¼" high x 21 ¼" deep
- 1/2 hp motor(s) - ten speeds
- Factory installed Intelliswitch digital controller
- Clear satin anodized aluminum exterior (Optional: Custom Color or Stainless)
- Wall & Top Mounting
- High efficiency, low noise Pro-V Nozzle
- Factory installed coil
- Optional: Filter (washable)
- Optional: Berner AIR™ (smart controller & app), includes BACnet
- Optional: Berner PureAir™ Package - consult factory



Berner International certifies that the air curtains shown herein are licensed to bear the AMCA Seal. The ratings shown are based on tests and procedures performed in accordance with AMCA Publication 211 and comply with the requirements of the AMCA Certified Ratings Program. Rated data shown is for base (steam heated) units. The AMCA Certified Ratings Seal applies to airflow rate, average outlet velocity, outlet velocity uniformity, velocity projection and power rating at free delivery only.

2 Year Limited Warranty



indoor use

MODEL	Nozzle Width (in)	Max Vel. at Nozzle (fpm)	Avg. Outlet Vel. (fpm)	Air Volume (cfm)	Outlet Vel. Uniformity	Power Rating (kW)	Motor(s) @ hp	Coil Output (MBH)	Inlet Pressure (PSIG)	Condensate (lbs/hr)	Air Temp. Rise (°F)	Net Wt. (lbs)
AHD10-1036S	36.75	6,556	2,183	1,393	87%	0.53	1 @ ½	56.5	5	58.2	37°	98
AHD10-1042S	42.75	7,182	1,929	1,432	68%	0.54	1 @ ½	62.4	5	64.3	40°	104
AHD10-1048S	48.75	6,600	1,718	1,454	57%	0.55	1 @ ½	67.5	5	69.6	43°	109
AHD10-2060S	60.75	7,300	2,011	2,121	76%	0.84	2 @ ½	92.2	5	95.0	40°	171
AHD10-2072S	74.50	6,556	2,154	2,786	87%	1.06	2 @ ½	117.3	5	120.9	39°	182
AHD10-2084S	86.50	7,182	1,907	2,864	68%	1.08	2 @ ½	128.7	5	132.7	41°	198
AHD10-2096S	98.50	6,600	1,701	2,908	57%	1.10	2 @ ½	138.5	5	142.8	44°	209
AHD10-3108S	112.25	6,556	2,144	4,179	87%	1.59	3 @ ½	178.9	5	184.4	40°	241
AHD10-3120S	118.25	6,556	2,055	4,218	68%	1.60	3 @ ½	184.6	5	190.3	40°	249

NOTES:

1. Operation at 50 Hz will generate approximately a 17% reduction in performance.
2. Coil performance based on 65°F entering air temperature.
3. Standard connection same end supply/return.
4. Coil should be field supplied with a solenoid valve that energizes only when air curtain is energized. Consideration must be taken for freeze protection when necessary.
5. Maximum leaving air temperature shall not exceed 120°F.
6. Consult factory for alternate steam pressures or vertically mounted units.

See sheet EP-214 for amp draws/total load requirements.

MODEL NUMBER CONFIGURATION

AHD10-1 036 S A -R-WCA-SS

Series	# of Motors	Opening Width	Heat	Voltage	Opt. Display	Opt. Control	Opt. Cabinet Finish
AHD10	1, 2, 3	036" - 120"	S=Steam Heated	*A=120/1/60 B=208/1/60 J=240/1/60 V=220/1/50	R=Remote Display Intelliswitch	WCA= Berner AIR™ smart control	SS=Stainless Steel CC=Custom Color

*Suitable for 50hz

for Standard offering, leave options (Opt.) blank

VELOCITY PROJECTION: Model AHD10-1036S

Distance from Nozzle (in)	40	80	120	160	200
Core Velocity (fpm)	2511	1689	1500	1189	1056
Uniformity (%)	94	96	92	93	93

Sound level measured 10' (3m) from the unit in free field:

1 motor: Min./Max. Speed: 53/56 dBA

2 motors: Min./Max. Speed: 56/59 dBA

3 motors: Min./Max. Speed: 59/62 dBA

Sound data is not AMCA certified.

Berner reserves the right to alter specifications without prior notice.

www.berner.com **Berner International** 800.245.4455
111 Progress Ave. / New Castle / PA / 16101 / USA

DS-214D
January, 2021



ARCHITECTURAL HIGH PERFORMANCE 10

Steam Heated Air Curtain Electrical Performance Sheet

MODEL	# CKTS	120/1/60 (voltage code A) MOTOR AMP DRAW = 8.5 each		# CKTS	208/1/60 (voltage code B) MOTOR AMP DRAW = 4.3 each		# CKTS	240/1/60 (voltage code J) or 220/1/50 (voltage code V) MOTOR AMP DRAW = 4.3 each	
		AMPS PER CIRCUIT	BREAKER RATING PER CIRCUIT		AMPS PER CIRCUIT	BREAKER RATING PER CIRCUIT		AMPS PER CIRCUIT	BREAKER RATING PER CIRCUIT
AHD10-1036S AHD10-1042S AHD10-1048S	1	8.5	15	1	4.3	15	1	4.3	15
AHD10-2060S AHD10-2072S AHD10-2084S AHD10-2096S	1	17.0	25	1	8.6	15	1	8.6	15
AHD10-3108S AHD10-3120S	1	25.5	35	1	12.9	20	1	12.9	20

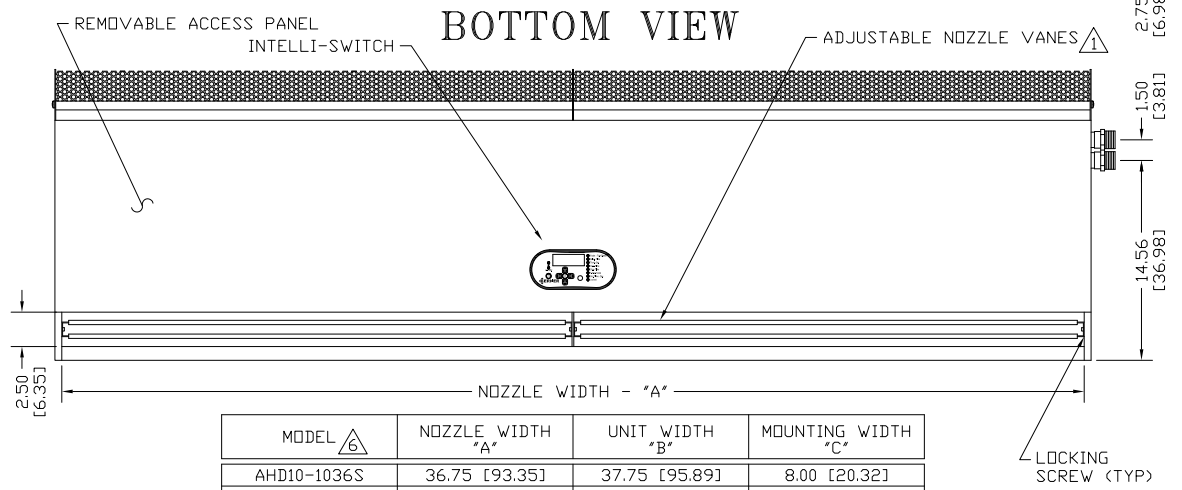
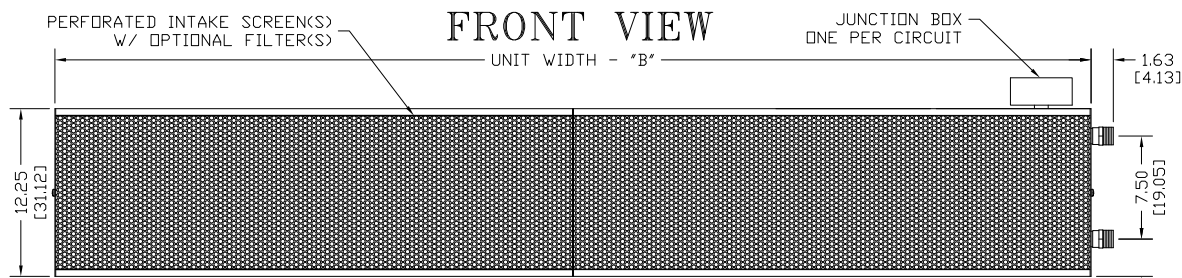
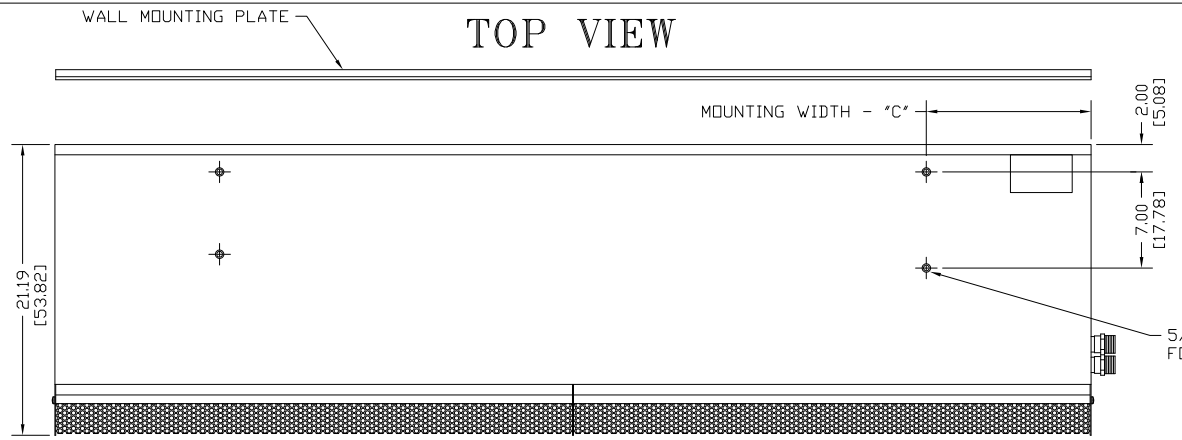
Berner reserves the right to alter specifications without prior notice.

www.berner.com Berner International 800.245-4455
111 Progress Ave. / New Castle / PA / 16101 / USA

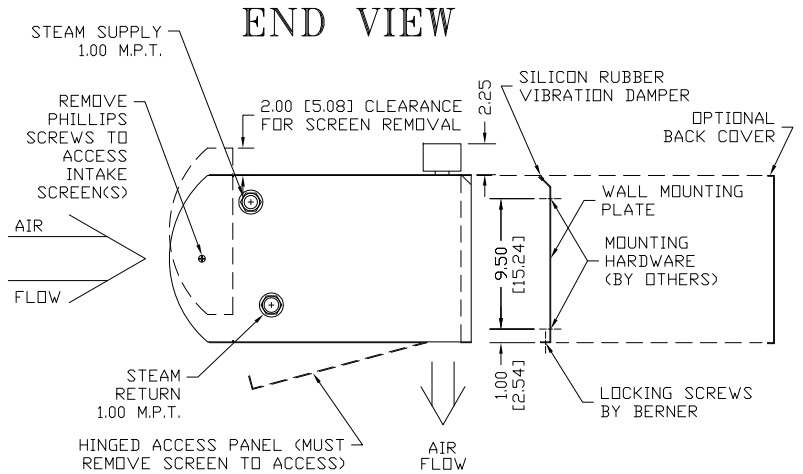
EP-214
March, 2022

©Copyright, 2022 Berner International Corporation

AHD10 STEAM HEATED



MODEL ^①	NOZZLE WIDTH "A"	UNIT WIDTH "B"	MOUNTING WIDTH "C"
AHD10-1036S	36.75 [93.35]	37.75 [95.89]	8.00 [20.32]
AHD10-1042S	42.75 [108.59]	43.75 [111.13]	8.00 [20.32]
AHD10-1048S	48.75 [123.83]	49.75 [126.37]	10.00 [25.40]
AHD10-2060S	60.75 [153.31]	61.75 [156.85]	8.00 [20.32]
AHD10-2072S	74.50 [189.23]	75.50 [191.77]	12.00 [30.48]
AHD10-2084S	86.50 [219.71]	87.50 [222.25]	12.00 [30.48]
AHD10-2096S	98.50 [250.19]	99.50 [252.73]	27.00 [68.58]
AHD10-3108S	112.25 [285.12]	113.25 [287.66]	27.00 [68.58]
AHD10-3120S	118.25 [300.36]	119.25 [302.90]	27.00 [68.58]



NOTES:

- ① AIR CURTAIN MUST BE INSTALLED SO AIR STREAM IS NOT OBSTRUCTED WHEN DEFLECTED 20° TO EITHER SIDE OF C .
- ② ELECTRICAL CONNECTIONS TO BE FLEXIBLE.
- ③ FIELD VERIFY DIMENSIONS.
- ④ ANCHORS TO SUPPORTING STRUCTURE BY OTHERS.
- ⑤ ADEQUACY OF SUPPORTING STRUCTURE IS TO BE VERIFIED BY A PROFESSIONAL STRUCTURAL ENGINEER.
- ⑥ LETTER "S" IN MODEL NUMBER DESIGNATES STEAM HEATED UNIT.
- △ DIMENSIONS IN INCHES (CENTIMETERS).

PROJECT		TITLE: BERNER
LOCATION		MODEL AHD10 AIR CURTAIN
ARCHITECT		STEAM HEATED SYSTEM
ENGINEER		BERNER INTERNATIONAL CORP. NEW CASTLE, PA.
DWG. NO.	AHD10-STM	
DATE	30MAY2017	
BY	S. Beil	
REPLACES	31MAR2017	
BY	S. Beil	