



HAZARDOUS LOCATION SERIES 20

Ambient (Unheated) Air Curtain

Data Sheet

For Door Heights To 20' (environmental separation) and 18' (insect control)

STANDARD CONSTRUCTION

- Constructed for Class I, Division 1 & 2, Groups C & D
- Constructed for Class II, Division 1 & 2, Groups F & G
- Explosion proof single speed motor(s) temperature code T3C
- Interior and exterior gray zinc epoxy powder coated aluminized steel cabinet and screen
- Split cabinet construction for fan assembly removal
- External mount explosion proof junction box (One per motor)
- Aluminum impellers in zinc epoxy powder coated galvanized steel housing
- Fiberglass air diverters, factory assembled to the outlet of each blower housing
- Top Mounting only
- High efficiency Pro-V Nozzle

**5 Year
Limited
Warranty**



| MODEL | Nozzle Width (in) | Max Vel. at Nozzle (fpm) | Avg. Outlet Vel. (fpm) | Air Volume (cfm) | Outlet Vel. Uniformity | Power Rating (kW) | Motor(s) @ hp | Net Wt. (lbs) |
|-------------|-------------------|--------------------------|------------------------|------------------|------------------------|-------------------|---------------|---------------|
| HLC20-1060A | 60.00 | 6,580 | 4,181 | 7,403 | 89% | 4.70 | 1 @ 5 | 432 |
| HLC20-1072A | 72.00 | 6,549 | 3,852 | 8,186 | 89% | 4.90 | 1 @ 5 | 477 |
| HLC20-1084A | 84.00 | 6,076 | 3,574 | 8,861 | 87% | 4.90 | 1 @ 5 | 522 |
| HLC20-1096A | 96.00 | 6,900 | 4,059 | 11,500 | 92% | 6.80 | 1 @ 7½ | 800 |
| HLC20-1108A | 108.00 | 6,747 | 3,969 | 12,650 | 90% | 6.90 | 1 @ 7½ | 880 |
| HLC20-1120A | 117.00 | 7,494 | 4,523 | 15,612 | 88% | 8.70 | 1 @ 10 | 950 |
| HLC20-1132A | 132.00 | 7,017 | 4,127 | 16,080 | 87% | 8.90 | 1 @ 10 | 995 |
| HLC20-1144A | 144.00 | 7,640 | 4,381 | 19,100 | 87% | 11.70 | 1 @ 15 | 1,035 |
| HLC20-1156A | 156.00 | 7,405 | 4,356 | 20,055 | 86% | 11.90 | 1 @ 15 | 1,140 |
| HLC20-1168A | 168.00 | 7,783 | 4,323 | 22,700 | 90% | 12.80 | 1 @ 15 | 1,225 |
| HLC20-1180A | 180.00 | 7,300 | 4,294 | 22,814 | 91% | 12.90 | 1 @ 15 | 1,270 |
| HLC20-2192A | 192.00 | 6,900 | 4,059 | 23,000 | 92% | 13.60 | 2 @ 7½ | 1,390 |

NOTES:

1. Consult factory for 50 Hz operation.
2. Performance data based on AMCA licensed data from unheated IDC20 units.
3. Vertically mounted Hazardous Location Series air curtains not available.

See sheet EP-930 for amp draws/total load requirements.

MODEL NUMBER CONFIGURATION

HLC20-1 060 A D-F

| Series | # of Motors | Opening Width | Heat | Voltage | Intake |
|--------|-------------|---------------|-----------|--|------------------|
| HLC20 | 1, 2 | 060" - 192" | A=Ambient | D=208/3/60 E=240/3/60 H=480/3/60 I=600/3/60 | T=Top F=Front |

| VELOCITY PROFILE: Model HLC20-1060A | | | |
|-------------------------------------|------|------|------|
| Distance from Nozzle (ft) | 3 | 10 | 17 |
| Core Velocity (fpm) | 3027 | 1967 | 1500 |

Sound level measured 10' (3m) from the unit in free field:
5, 7½, 10, 15 & (7½ + 7½) hp motor(s):
73 dBA, 75 dBA, 76 dBA, 78 dBA & 78 dBA

Berner reserves the right to alter specifications without prior notice.

www.berner.com **Berner International** 800.245-4455
111 Progress Ave. / New Castle / PA / 16101 / USA

DS-930
July, 2015



HAZARDOUS LOCATION SERIES 20

Ambient (Unheated) Air Curtain
Electrical Performance Sheet

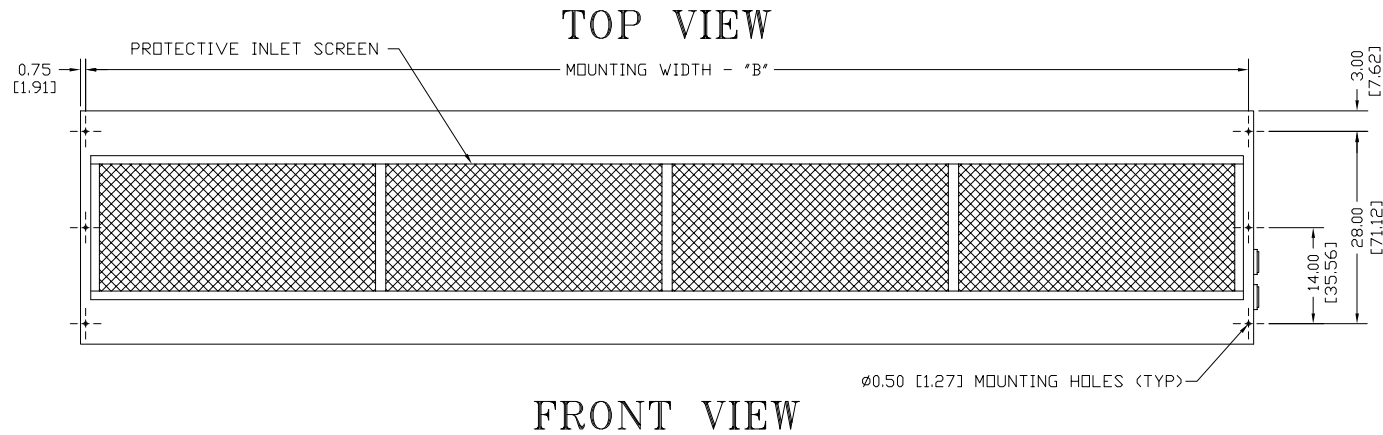
| MODEL | Qty @ HP | # CKTS | 208/3/60 (voltage code D) TOTAL MOTOR AMP DRAW | | # CKTS | 240/3/60 (voltage code E) TOTAL MOTOR AMP DRAW | | # CKTS | 480/3/60 (voltage code H) TOTAL MOTOR AMP DRAW | | # CKTS | 600/3/60 (voltage code I) TOTAL MOTOR AMP DRAW | |
|--|----------|--------|---|----------------------------|--------|---|----------------------------|--------|---|----------------------------|--------|---|----------------------------|
| | | | AMPS PER CIRCUIT | BREAKER RATING PER CIRCUIT | | AMPS PER CIRCUIT | BREAKER RATING PER CIRCUIT | | AMPS PER CIRCUIT | BREAKER RATING PER CIRCUIT | | AMPS PER CIRCUIT | BREAKER RATING PER CIRCUIT |
| HLC20-1060A HLC20-1072A HLC20-1084A | 1 @ 5 | 1 | 17.0 | 35 | 1 | 15.8 | 35 | 1 | 7.9 | 20 | 1 | 6.3 | 15 |
| HLC20-1096A HLC20-1108A | 1 @ 7.5 | 1 | 23.0 | 50 | 1 | 22.0 | 45 | 1 | 11.0 | 25 | 1 | 8.5 | 20 |
| HLC20-1120A HLC20-1132A | 1 @ 10 | 1 | 31.5 | 60 | 1 | 30.6 | 60 | 1 | 15.3 | 30 | 1 | 11.7 | 25 |
| HLC20-1144A HLC20-1156A HLC20-1168A HLC20-1180A | 1 @ 15 | 1 | 46.0 | 100 | 1 | 44.0 | 100 | 1 | 22.0 | 45 | 1 | 17.5 | 35 |
| HLC20-2192A | 2 @ 7.5 | 1 | 46.0 | 70 | 1 | 44.0 | 70 | 1 | 22.0 | 35 | 1 | 17.0 | 30 |

Berner reserves the right to alter specifications without prior notice.

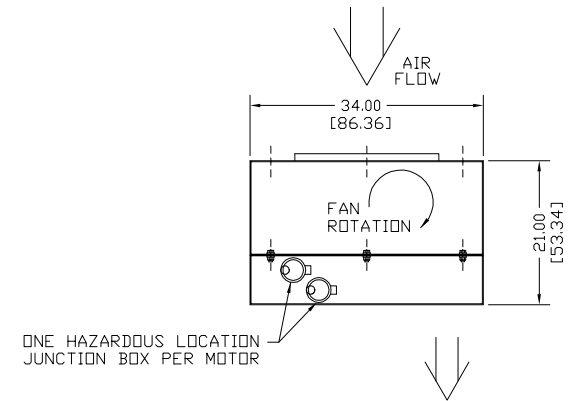
www.berner.com **Berner International** 800.245-4455
111 Progress Ave. / New Castle / PA / 16101 / USA

EP-930
December, 2018

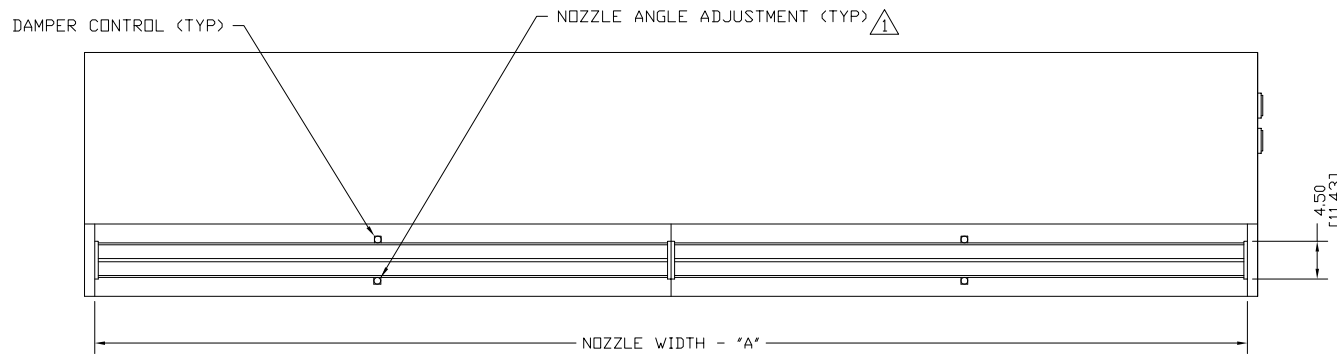
HLC20 AMBIENT SYSTEM TOP INTAKE HAZARDOUS LOCATION



END VIEW



BOTTOM VIEW



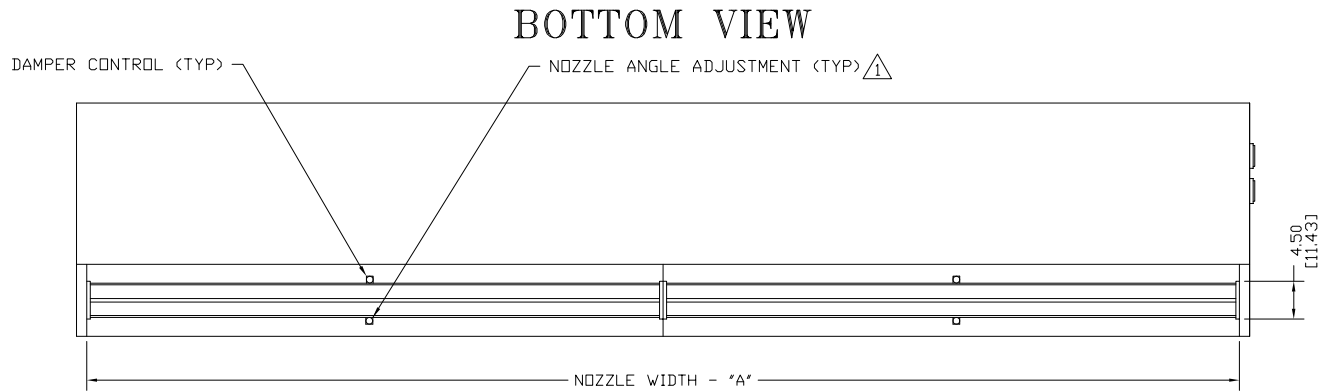
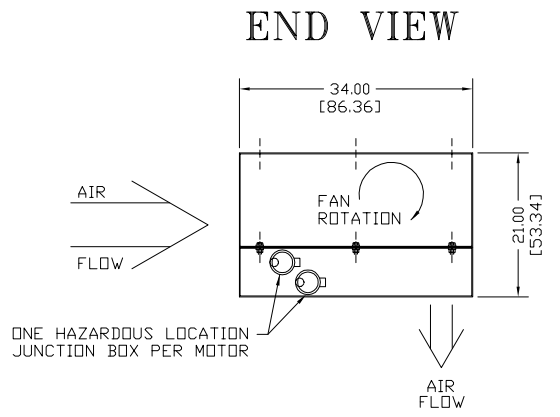
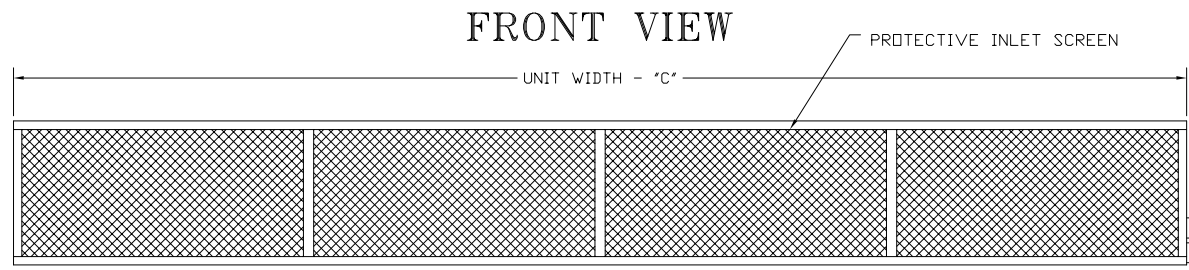
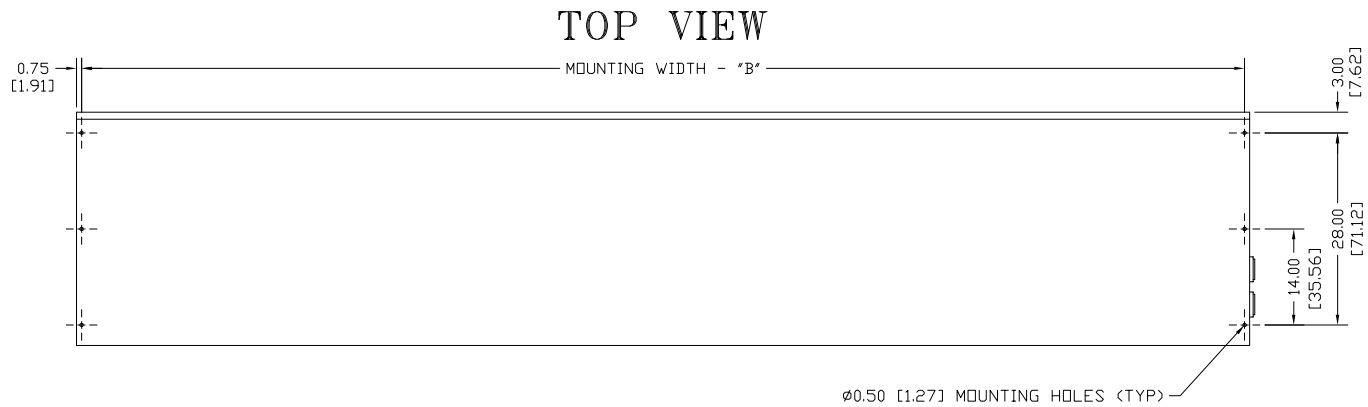
| MODEL ^⑥ | NOZZLE WIDTH "A" | MOUNTING WIDTH "B" | UNIT WIDTH "C" |
|--------------------|---------------------|-----------------------|-------------------|
| HLC20-1060A-T | 60.00 [152.40] | 61.50 [156.21] | 63.00 [160.02] |
| HLC20-1072A-T | 72.00 [182.88] | 73.50 [186.69] | 75.00 [190.50] |
| HLC20-1084A-T | 84.00 [213.36] | 85.50 [217.17] | 87.00 [220.98] |
| HLC20-1096A-T | 96.00 [243.84] | 97.50 [247.65] | 99.00 [251.46] |
| HLC20-1108A-T | 108.00 [274.32] | 109.50 [278.13] | 111.00 [281.94] |
| HLC20-1120A-T | 117.00 [297.18] | 118.50 [300.99] | 120.00 [304.80] |
| HLC20-1132A-T | 132.00 [335.28] | 133.50 [339.09] | 135.00 [342.90] |
| HLC20-1144A-T | 144.00 [365.76] | 145.50 [369.57] | 147.00 [373.38] |
| HLC20-1156A-T | 156.00 [396.24] | 157.50 [400.05] | 159.00 [403.86] |
| HLC20-1168A-T | 168.00 [426.72] | 169.50 [430.53] | 171.00 [434.34] |
| HLC20-1180A-T | 180.00 [457.20] | 181.50 [461.01] | 183.00 [464.82] |
| HLC20-2192A-T | 192.00 [487.68] | 193.50 [491.49] | 195.00 [495.30] |

NOTES:

- ① AIR CURTAIN MUST BE INSTALLED SO AIR STREAM IS NOT OBSTRUCTED WHEN DEFLECTED 20° TO EITHER SIDE OF \bar{C} .
- ② ELECTRICAL CONNECTIONS TO BE FLEXIBLE.
- ③ FIELD VERIFY DIMENSIONS.
- ④ ANCHORS TO SUPPORTING STRUCTURE BY OTHERS.
- ⑤ ADEQUACY OF SUPPORTING STRUCTURE IS TO BE VERIFIED BY A PROFESSIONAL STRUCTURAL ENGINEER.
- ⑥ LETTER "A" IN MODEL NUMBER DESIGNATES AMBIENT UNIT, THE "T" IS FOR TOP INTAKE.
- ⑦ REMOTE OPTIONAL CONTROL PANEL AVAILABLE; NEMA 4/12 FOR NON HAZARDOUS LOCATION MOUNTING; NEMA 7/9 FOR HAZARDOUS LOCATION MOUNTING. PLEASE SPECIFY.
- ⑧ DIMENSIONS IN INCHES (CENTIMETERS).

| | | |
|-----------|------------|---|
| PROJECT | | |
| LOCATION | | |
| ARCHITECT | | |
| ENGINEER | | |
| DWG. NO. | HLC20-AMBI | TITLE: BERNER |
| DATE | 18JUNE14 | MODEL HLC20 AIR CURTAIN |
| BY | S. Beil | HAZARDOUS LOCATION TOP INTAKE AMBIENT SYSTEM |
| REPLACES | - | |
| BY | - | BERNER INTERNATIONAL CORP. NEW CASTLE, PA. |

HLC20 AMBIENT SYSTEM FRONT INTAKE HAZARDOUS LOCATION



| MODEL ^⑥ | NOZZLE WIDTH "A" | MOUNTING WIDTH "B" | UNIT WIDTH "C" |
|--------------------|---------------------|-----------------------|-------------------|
| HLC20-1060A-F | 60.00 [152.40] | 61.50 [156.21] | 63.00 [160.02] |
| HLC20-1072A-F | 72.00 [182.88] | 73.50 [186.69] | 75.00 [190.50] |
| HLC20-1084A-F | 84.00 [213.36] | 85.50 [217.17] | 87.00 [220.98] |
| HLC20-1096A-F | 96.00 [243.84] | 97.50 [247.65] | 99.00 [251.46] |
| HLC20-1108A-F | 108.00 [274.32] | 109.50 [278.13] | 111.00 [281.94] |
| HLC20-1120A-F | 117.00 [297.18] | 118.50 [300.99] | 120.00 [304.80] |
| HLC20-1132A-F | 132.00 [335.28] | 133.50 [339.09] | 135.00 [342.90] |
| HLC20-1144A-F | 144.00 [365.76] | 145.50 [369.57] | 147.00 [373.38] |
| HLC20-1156A-F | 156.00 [396.24] | 157.50 [400.05] | 159.00 [403.86] |
| HLC20-1168A-F | 168.00 [426.72] | 169.50 [430.53] | 171.00 [434.34] |
| HLC20-1180A-F | 180.00 [457.20] | 181.50 [461.01] | 183.00 [464.82] |
| HLC20-2192A-F | 192.00 [487.68] | 193.50 [491.49] | 195.00 [495.30] |

NOTES:

- ① AIR CURTAIN MUST BE INSTALLED SO AIR STREAM IS NOT OBSTRUCTED WHEN DEFLECTED 20° TO EITHER SIDE OF ϕ
- ② ELECTRICAL CONNECTIONS TO BE FLEXIBLE.
- ③ FIELD VERIFY DIMENSIONS.
- ④ ANCHORS TO SUPPORTING STRUCTURE BY OTHERS.
- ⑤ ADEQUACY OF SUPPORTING STRUCTURE IS TO BE VERIFIED BY A PROFESSIONAL STRUCTURAL ENGINEER.
- ⑥ LETTER "A" IN MODEL NUMBER DESIGNATES AMBIENT UNIT, THE "F" IS FOR FRONT INTAKE.
- ⑦ REMOTE OPTIONAL CONTROL PANEL AVAILABLE: NEMA 4/12 FOR NON HAZARDOUS LOCATION MOUNTING; NEMA 7/9 FOR HAZARDOUS LOCATION MOUNTING. PLEASE SPECIFY.
- ⑧ DIMENSIONS IN INCHES (CENTIMETERS).

| | | |
|-----------|------------|--|
| PROJECT | | |
| LOCATION | | |
| ARCHITECT | | |
| ENGINEER | | |
| DWG. NO. | HLC20-AMB2 | TITLE: BERNER |
| DATE | 18JUNE14 | MODEL HLC20 AIR CURTAIN |
| BY | S. Beil | HAZARDOUS LOCATION FRONT INTAKE AMBIENT SYSTEM |
| REPLACES | - | |
| BY | - | BERNER INTERNATIONAL CORP. NEW CASTLE, PA. |