



HAZARDOUS LOCATION SERIES 20

Hot Water Heated Air Curtain

Data Sheet

For Door Heights To 20' (environmental separation)

STANDARD CONSTRUCTION

- Constructed for Class I, Division 1 & 2, Groups C & D
- Constructed for Class II, Division 1 & 2, Groups F & G
- Explosion proof single speed motor(s) temperature code T3C
- Interior and exterior gray zinc epoxy powder coated aluminized steel cabinet and screen
- Split cabinet construction for fan assembly removal
- External mount explosion proof junction box (One per motor)
- Aluminum impellers in zinc epoxy powder coated galvanized steel housing
- Fiberglass air diverters, factory assembled to the outlet of each blower housing
- Top Mounting only
- High efficiency Pro-V Nozzle

- Coil Features:
 - Aluminum casing
 - 5/8" copper tube with .035" wall
 - Aluminum fins
 - Leak tested at 450 psi

**2 Year
Limited
Warranty**



MODEL	Nozzle Width (in)	Max Vel. at Nozzle (fpm)	Avg. Outlet Vel. (fpm)	Air Volume (cfm)	Outlet Vel. Uniformity	Power Rating (kW)	Motor(s) @ hp	Coil Output (MBH)	Entering / Leaving Water Temp. (°F)	Water Flow (GPM)	Fluid Pressure Drop (FT. WG.)	Air Temp. Rise (°F)	Net Wt. (lbs)
HLC20-1060W	60.00	6,580	4,181	7,403	89%	4.70	1 @ 5	267.3	180° / 158°	25.0	2.4	33°	529
HLC20-1072W	72.00	6,549	3,852	8,186	89%	4.90	1 @ 5	311.3	180° / 158°	29.0	3.3	35°	587
HLC20-1084W	84.00	6,076	3,574	8,861	87%	4.90	1 @ 5	352.5	180° / 158°	33.0	4.4	36°	645
HLC20-1096W	96.00	6,900	4,059	11,500	92%	6.80	1 @ 7½	439.0	180° / 158°	41.0	6.9	35°	937
HLC20-1108W	108.00	6,747	3,969	12,650	90%	6.90	1 @ 7½	491.7	180° / 158°	46.0	8.8	36°	1,030
HLC20-1120W	117.00	7,494	4,523	15,612	88%	8.70	1 @ 10	576.1	180° / 158°	53.0	11.8	34°	1,110
HLC20-1132W	132.00	7,017	4,127	16,080	87%	8.90	1 @ 10	616.6	180° / 157°	55.0	13.1	35°	1,174
HLC20-1144W	144.00	7,640	4,381	19,100	87%	11.70	1 @ 15	707.9	180° / 157°	62.0	16.8	34°	1,227
HLC20-1156W	156.00	7,405	4,356	20,055	86%	11.90	1 @ 15	749.4	180° / 156°	63.0	17.7	34°	1,345
HLC20-1168W	168.00	7,783	4,323	22,700	90%	12.80	1 @ 15	831.6	180° / 155°	69.0	21.5	33°	1,443
HLC20-1180W	180.00	7,300	4,294	22,814	91%	12.90	1 @ 15	855.8	180° / 155°	69.0	21.9	34°	1,504
HLC20-2192W	192.00	6,900	4,059	23,000	92%	13.60	2 @ 7½	880.1	180° / 154°	69.0	22.3	35°	1,837

NOTES:

1. Performance data based on AMCA licensed data from unheated IDC20 units.
2. Coil performance based on 65°F entering air temperature.
3. Standard connection same end supply/return (Optional: opposite end supply/return).
4. Coil should be field supplied with a solenoid valve that energizes only when air curtain is energized. Consideration must be taken for freeze protection when necessary.
5. Maximum leaving air temperature shall not exceed 120°F.
6. Consult factory for 50 Hz operation, alternate entering air & water temperatures, GPM's, and opposite end supply/return connections performance data.
7. Vertically mounted Hazardous Location Series air curtains not available.

See sheet EP-936 for amp draws/total load requirements.

MODEL NUMBER CONFIGURATION

HLC20-1 060 W D-F

Series	# of Motors	Opening Width	Heat	Voltage	Intake
HLC20	1, 2	060" - 192"	W=Hot Water Heated	D=208/3/60 E=240/3/60 H=480/3/60 I=600/3/60	T=Top F=Front

Sound level measured 10' (3m) from the unit in free field:
5, 7½, 10, 15 & (7½ + 7½) hp motor(s):
73 dBA, 75 dBA, 76 dBA, 78 dBA & 78 dBA

Berner reserves the right to alter specifications without prior notice.

www.berner.com Berner International 800.245-4455
111 Progress Ave. / New Castle / PA / 16101 / USA

DS-936
July, 2015



HAZARDOUS LOCATION SERIES 20

Hot Water Heated Air Curtain

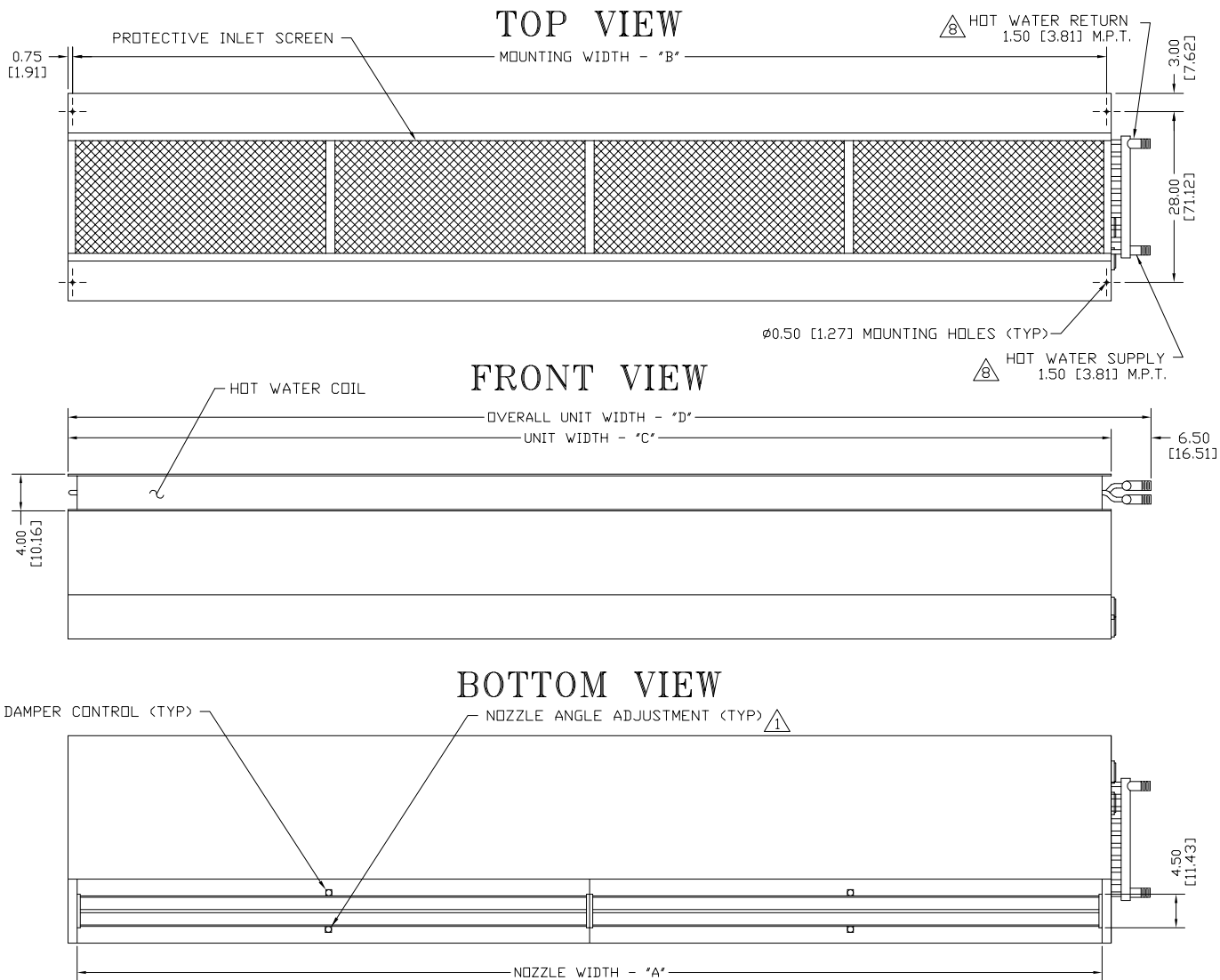
Electrical Performance Sheet

MODEL	Qty @ HP	208/3/60 (voltage code D) TOTAL MOTOR AMP DRAW			240/3/60 (voltage code E) TOTAL MOTOR AMP DRAW			480/3/60 (voltage code H) TOTAL MOTOR AMP DRAW			600/3/60 (voltage code I) TOTAL MOTOR AMP DRAW		
		# CKTS	AMPS PER CIRCUIT	BREAKER RATING PER CIRCUIT	# CKTS	AMPS PER CIRCUIT	BREAKER RATING PER CIRCUIT	# CKTS	AMPS PER CIRCUIT	BREAKER RATING PER CIRCUIT	# CKTS	AMPS PER CIRCUIT	BREAKER RATING PER CIRCUIT
HLC20-1060W HLC20-1072W HLC20-1084W	1 @ 5	1	17.0	35	1	15.8	35	1	7.9	20	1	6.3	15
HLC20-1096W HLC20-1108W	1 @ 7.5	1	23.0	50	1	22.0	45	1	11.0	25	1	8.5	20
HLC20-1120W HLC20-1132W	1 @ 10	1	31.5	60	1	30.6	60	1	15.3	30	1	11.7	25
HLC20-1144W HLC20-1156W HLC20-1168W HLC20-1180W	1 @ 15	1	46.0	100	1	44.0	100	1	22.0	45	1	17.5	35
HLC20-2192W	2 @ 7.5	1	46.0	70	1	44.0	70	1	22.0	35	1	17.0	30

Berner reserves the right to alter specifications without prior notice.

www.berner.com **Berner International** 800.245-4455
111 Progress Ave. / New Castle / PA / 16101 / USA

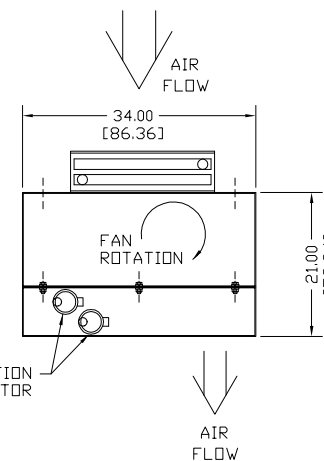
EP-936
December, 2018



HLC20

HOT WATER HEATED
TOP INTAKE
SAME END SUP./RET.
HAZARDOUS LOCATION

END VIEW



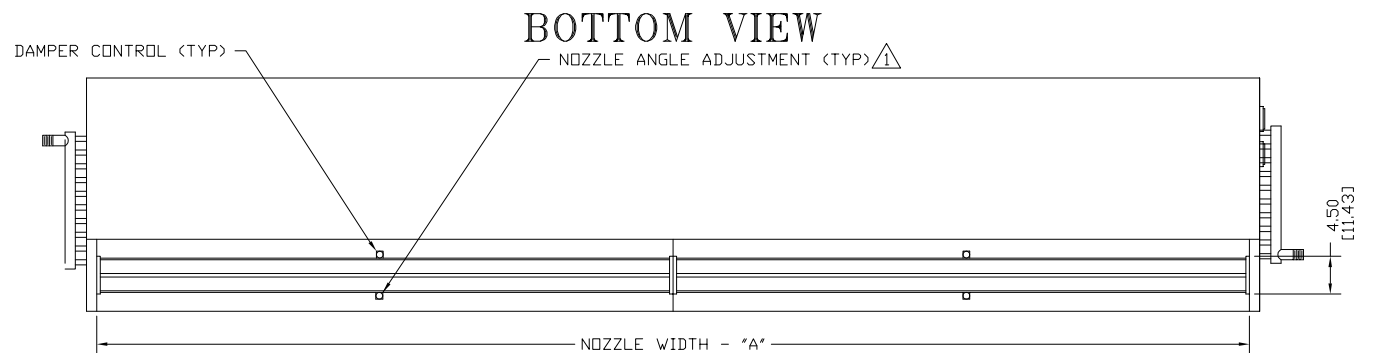
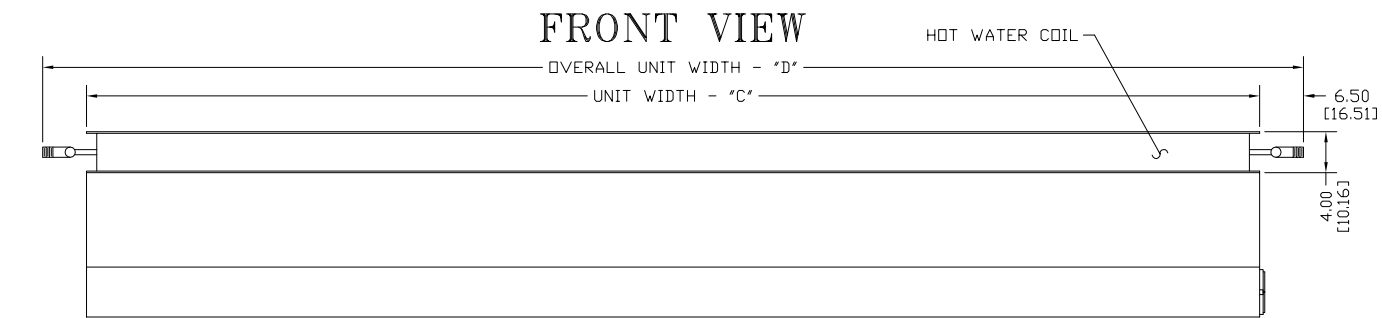
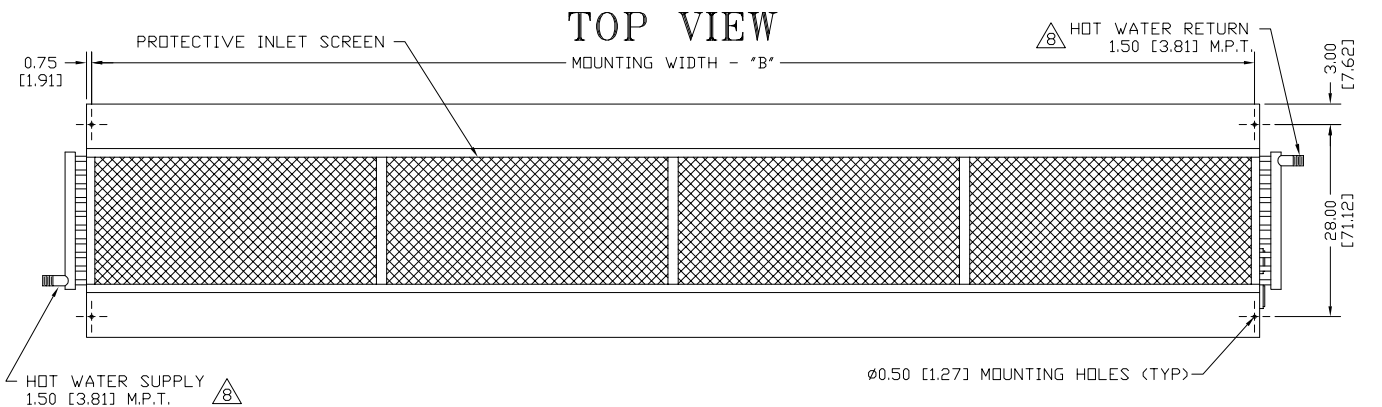
ONE HAZARDOUS LOCATION
JUNCTION BOX PER MOTOR

NOTES:

- ⚠ AIR CURTAIN MUST BE INSTALLED SO AIR STREAM IS NOT OBSTRUCTED WHEN DEFLECTED 20° TO EITHER SIDE OF U.
- ⚠ ELECTRICAL CONNECTIONS TO BE FLEXIBLE.
- ⚠ FIELD VERIFY DIMENSIONS.
- ⚠ ANCHORS TO SUPPORTING STRUCTURE BY OTHERS.
- ⚠ ADEQUACY OF SUPPORTING STRUCTURE IS TO BE VERIFIED BY A PROFESSIONAL STRUCTURAL ENGINEER.
- ⚠ LETTER 'W' IN MODEL NUMBER DESIGNATES HOT WATER HEATED UNIT, THE 'T' IS FOR TOP INTAKE.
- ⚠ REMOTE OPTIONAL CONTROL PANEL AVAILABLE; NEMA 4/12 FOR NON HAZARDOUS LOCATION MOUNTING; NEMA 7/9 FOR HAZARDOUS LOCATION MOUNTING. PLEASE SPECIFY.
- ⚠ COIL CONNECTIONS AS SHOWN, OPPOSITE AND SAME END CONNECTIONS AVAILABLE, PLEASE SPECIFY.
- ⚠ DIMENSIONS IN INCHES [CENTIMETERS].

MODEL ⚠	NOZZLE WIDTH "A"	MOUNTING WIDTH "B"	UNIT WIDTH "C"	OVERALL WIDTH "D"
HLC20-1060W-T	60.00 [152.40]	61.50 [156.21]	63.00 [160.02]	69.50 [176.53]
HLC20-1072W-T	72.00 [182.88]	73.50 [186.69]	75.00 [190.50]	81.50 [207.01]
HLC20-1084W-T	84.00 [213.36]	85.50 [217.17]	87.00 [220.98]	93.50 [237.49]
HLC20-1096W-T	96.00 [243.84]	97.50 [247.65]	99.00 [251.46]	105.50 [267.97]
HLC20-1108W-T	108.00 [274.32]	109.50 [278.13]	111.00 [281.94]	117.50 [298.45]
HLC20-1120W-T	117.00 [297.18]	118.50 [300.99]	120.00 [304.80]	126.50 [321.31]
HLC20-1132W-T	132.00 [335.28]	133.50 [339.09]	135.00 [342.90]	141.50 [359.41]
HLC20-1144W-T	144.00 [365.76]	145.50 [369.57]	147.00 [373.38]	153.50 [389.89]
HLC20-1156W-T	156.00 [396.24]	157.50 [400.05]	159.00 [403.86]	165.50 [420.37]
HLC20-1168W-T	168.00 [426.72]	169.50 [430.53]	171.00 [434.34]	177.50 [450.85]
HLC20-1180W-T	180.00 [457.20]	181.50 [461.01]	183.00 [464.82]	189.50 [481.33]
HLC20-2192W-T	192.00 [487.68]	193.50 [491.49]	195.00 [495.30]	201.50 [511.81]

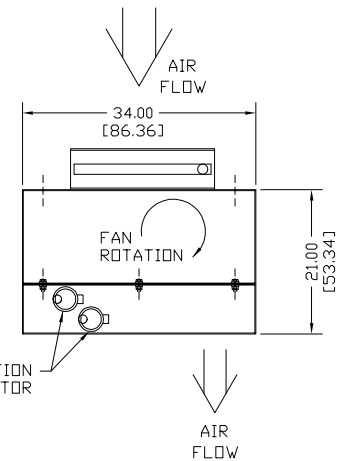
PROJECT		
LOCATION		
ARCHITECT		
ENGINEER		
DWG. NO.	HLC20-WTR1	TITLE: BERNER
DATE	18 JUNE 14	MODEL HLC20 AIR CURTAIN
BY	S. Beil	HAZARDOUS LOCATION TOP INTAKE HOT WATER HEATED SYSTEM
REPLACES	-	
BY	-	BERNER INTERNATIONAL CORP. NEW CASTLE, PA.



HLC20

HOT WATER HEATED
TOP INTAKE
OPP. END SUP./RET.
HAZARDOUS LOCATION

END VIEW



ONE HAZARDOUS LOCATION
JUNCTION BOX PER MOTOR

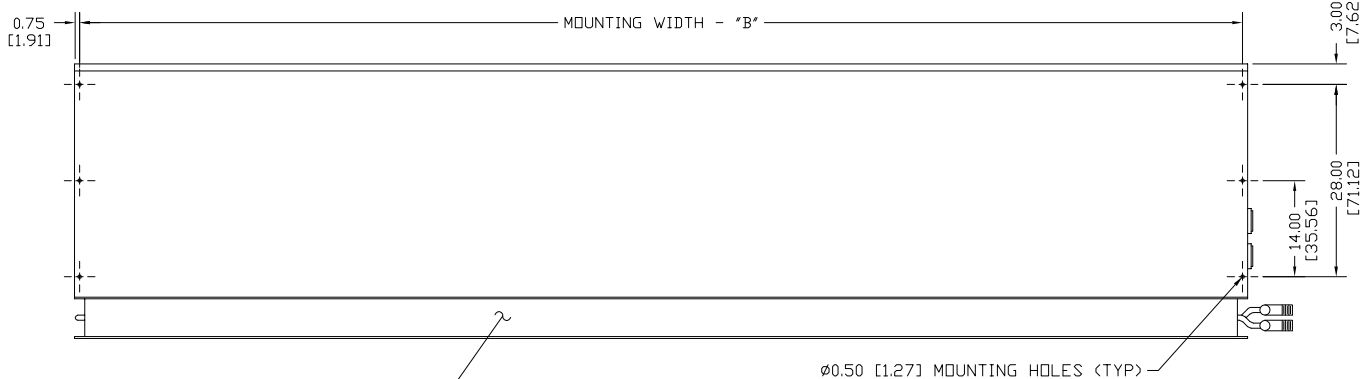
NOTES:

- ⚠ AIR CURTAIN MUST BE INSTALLED SO AIR STREAM IS NOT OBSTRUCTED WHEN DEFLECTED 20° TO EITHER SIDE OF \mathcal{L} .
- ⚠ ELECTRICAL CONNECTIONS TO BE FLEXIBLE.
- ⚠ FIELD VERIFY DIMENSIONS.
- ⚠ ANCHORS TO SUPPORTING STRUCTURE BY OTHERS.
- ⚠ ADEQUACY OF SUPPORTING STRUCTURE IS TO BE VERIFIED BY A PROFESSIONAL STRUCTURAL ENGINEER.
- ⚠ LETTER 'W' IN MODEL NUMBER DESIGNATES HOT WATER HEATED UNIT, THE 'T' IS FOR TOP INTAKE.
- ⚠ REMOTE OPTIONAL CONTROL PANEL AVAILABLE; NEMA 4/12 FOR NON HAZARDOUS LOCATION MOUNTING; NEMA 7/9 FOR HAZARDOUS LOCATION MOUNTING. PLEASE SPECIFY.
- ⚠ COIL CONNECTIONS AS SHOWN, OPPOSITE AND SAME END CONNECTIONS AVAILABLE, PLEASE SPECIFY.
- ⚠ DIMENSIONS IN INCHES [CENTIMETERS].

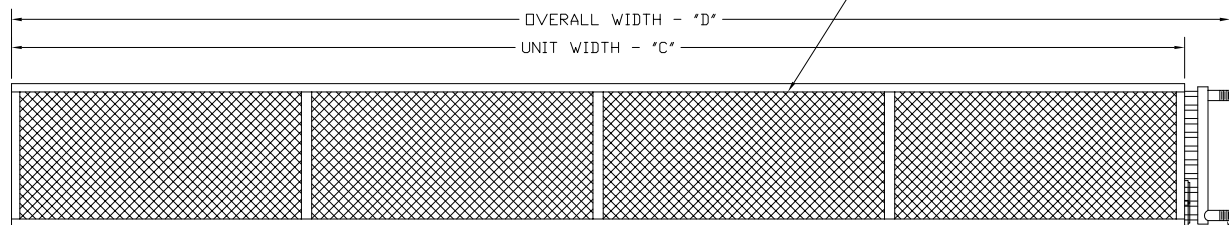
MODEL \triangle	NOZZLE WIDTH "A"	MOUNTING WIDTH "B"	UNIT WIDTH "C"	OVERALL WIDTH "D"
HLC20-1060W-T	60.00 [152.40]	61.50 [156.21]	63.00 [160.02]	76.00 [193.04]
HLC20-1072W-T	72.00 [182.88]	73.50 [186.69]	75.00 [190.50]	88.00 [223.52]
HLC20-1084W-T	84.00 [213.36]	85.50 [217.17]	87.00 [220.98]	100.00 [254.00]
HLC20-1096W-T	96.00 [243.84]	97.50 [247.65]	99.00 [251.46]	112.00 [284.48]
HLC20-1108W-T	108.00 [274.32]	109.50 [278.13]	111.00 [281.94]	124.00 [314.96]
HLC20-1120W-T	117.00 [297.18]	118.50 [300.99]	120.00 [304.80]	133.00 [337.82]
HLC20-1132W-T	132.00 [335.28]	133.50 [339.09]	135.00 [342.90]	148.00 [375.92]
HLC20-1144W-T	144.00 [365.76]	145.50 [369.57]	147.00 [373.38]	160.00 [406.40]
HLC20-1156W-T	156.00 [396.24]	157.50 [400.05]	159.00 [403.86]	172.00 [436.88]
HLC20-1168W-T	168.00 [426.72]	169.50 [430.53]	171.00 [434.34]	184.00 [467.36]
HLC20-1180W-T	180.00 [457.20]	181.50 [461.01]	183.00 [464.82]	196.00 [497.84]
HLC20-2192W-T	192.00 [487.68]	193.50 [491.49]	195.00 [495.30]	208.00 [528.32]

PROJECT		
LOCATION		
ARCHITECT		
ENGINEER		
DWG. NO.	HLC20-WTR2	TITLE: BERNER
DATE	18JUNE14	MODEL HLC20 AIR CURTAIN
BY	S. Beil	HAZARDOUS LOCATION TOP INTAKE HOT WATER HEATED SYSTEM
REPLACES	-	
BY	-	BERNER INTERNATIONAL CORP. NEW CASTLE, PA.

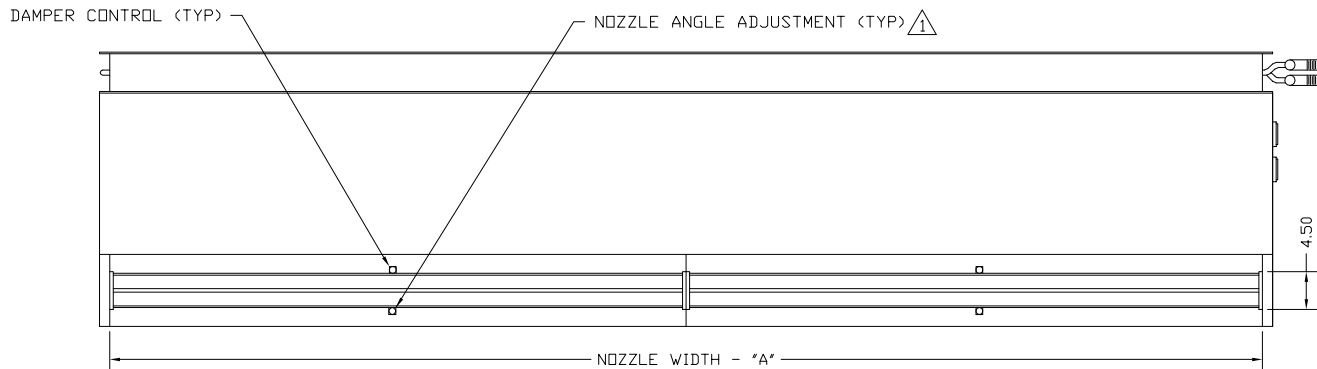
TOP VIEW



FRONT VIEW



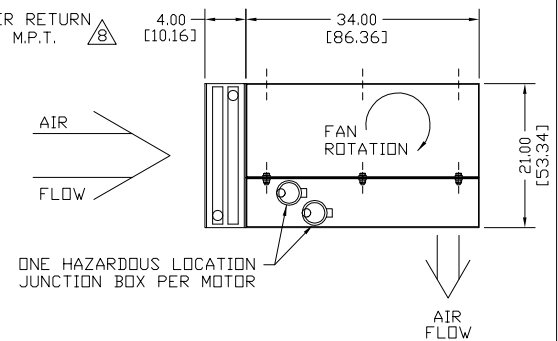
BOTTOM VIEW



HLC20

HOT WATER HEATED FRONT INTAKE SAME END SUP./RET. HAZARDOUS LOCATION

END VIEW



MODEL	NOZZLE WIDTH "A"	MOUNTING WIDTH "B"	UNIT WIDTH "C"	OVERALL WIDTH "D"
HLC20-1060W-F	60.00 [152.40]	61.50 [156.21]	63.00 [160.02]	69.50 [176.53]
HLC20-1072W-F	72.00 [182.88]	73.50 [186.69]	75.00 [190.50]	81.50 [207.01]
HLC20-1084W-F	84.00 [213.36]	85.50 [217.17]	87.00 [220.98]	93.50 [237.49]
HLC20-1096W-F	96.00 [243.84]	97.50 [247.65]	99.00 [251.46]	105.50 [267.97]
HLC20-1108W-F	108.00 [274.32]	109.50 [278.13]	111.00 [281.94]	117.50 [298.45]
HLC20-1120W-F	117.00 [297.18]	118.50 [300.99]	120.00 [304.80]	126.50 [321.31]
HLC20-1132W-F	132.00 [335.28]	133.50 [339.09]	135.00 [342.90]	141.50 [359.41]
HLC20-1144W-F	144.00 [365.76]	145.50 [369.57]	147.00 [373.38]	153.50 [389.89]
HLC20-1156W-F	156.00 [396.24]	157.50 [400.05]	159.00 [403.86]	165.50 [420.37]
HLC20-1168W-F	168.00 [426.72]	169.50 [430.53]	171.00 [434.34]	177.50 [450.85]
HLC20-1180W-F	180.00 [457.20]	181.50 [461.01]	183.00 [464.82]	189.50 [481.33]
HLC20-2192W-F	192.00 [487.68]	193.50 [491.49]	195.00 [495.30]	201.50 [511.81]

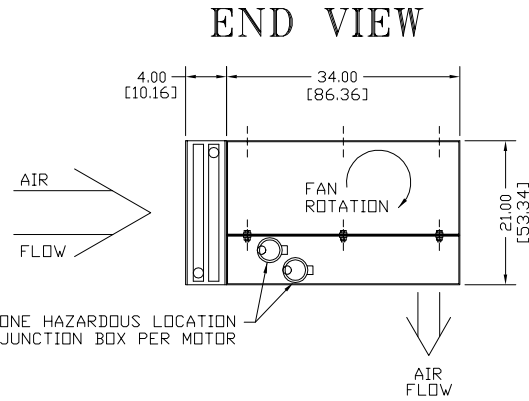
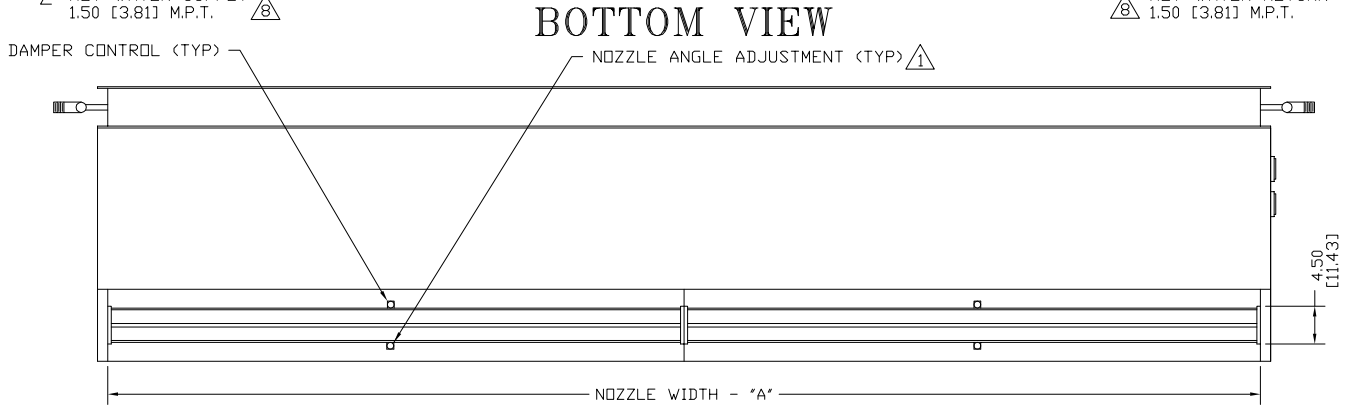
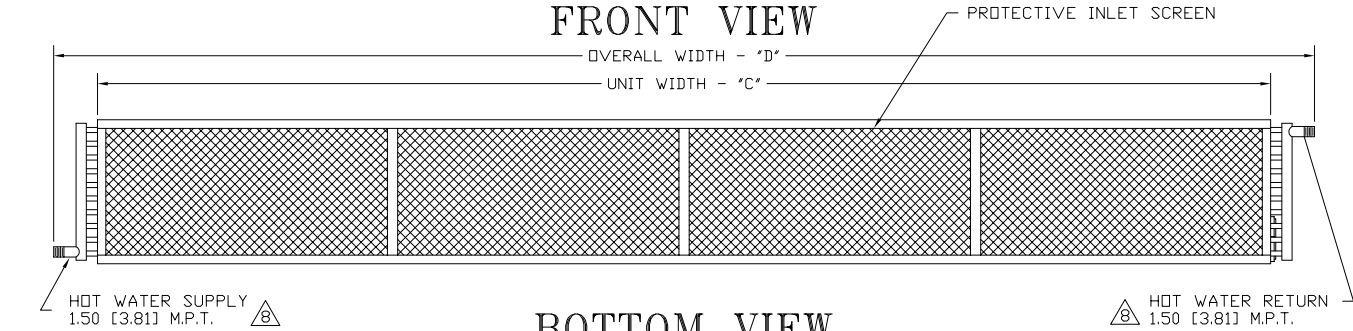
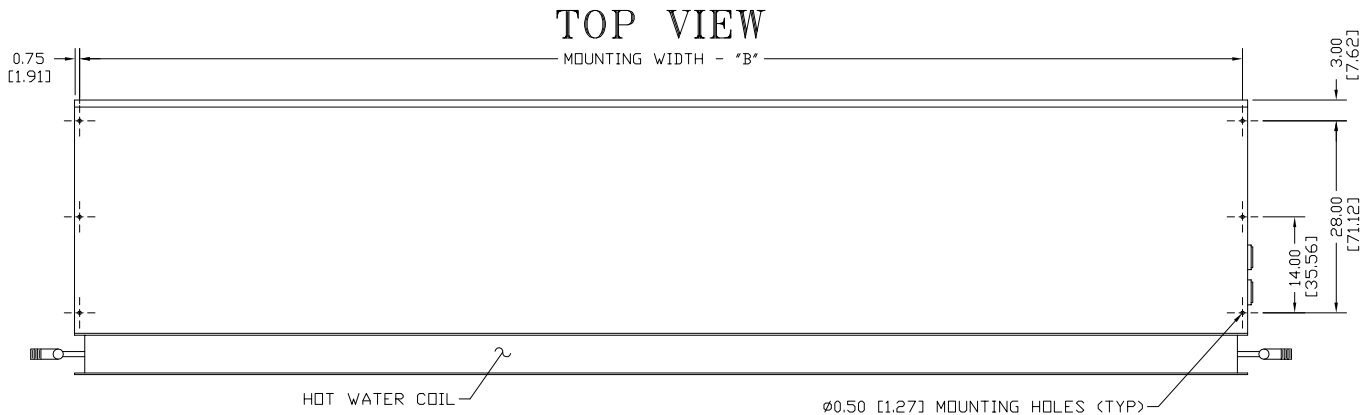
NOTES:

- ⚠ AIR CURTAIN MUST BE INSTALLED SO AIR STREAM IS NOT OBSTRUCTED WHEN DEFLECTED 20° TO EITHER SIDE OF \bar{C} .
- ⚠ ELECTRICAL CONNECTIONS TO BE FLEXIBLE.
- ⚠ FIELD VERIFY DIMENSIONS.
- ⚠ ANCHORS TO SUPPORTING STRUCTURE BY OTHERS.
- ⚠ ADEQUACY OF SUPPORTING STRUCTURE IS TO BE VERIFIED BY A PROFESSIONAL STRUCTURAL ENGINEER.
- ⚠ LETTER "W" IN MODEL NUMBER DESIGNATES HOT WATER HEATED UNIT, THE "F" IS FOR FRONT INTAKE.
- ⚠ REMOTE OPTIONAL CONTROL PANEL AVAILABLE: NEMA 4/12 FOR NON HAZARDOUS LOCATION MOUNTING; NEMA 7/9 FOR HAZARDOUS LOCATION MOUNTING. PLEASE SPECIFY.
- ⚠ COIL CONNECTIONS AS SHOWN, OPPOSITE AND SAME END CONNECTIONS AVAILABLE, PLEASE SPECIFY.
- ⚠ DIMENSIONS IN INCHES [CENTIMETERS].

PROJECT		
LOCATION		
ARCHITECT		
ENGINEER		
DWG. NO.	HLC20-WTR3	TITLE: BERNER
DATE	18JUNE14	MODEL HLC20 AIR CURTAIN
BY	S. Beil	HAZARDOUS LOCATION FRONT INTAKE HOT WATER HEATED SYSTEM
REPLACES	-	
BY	-	BERNER INTERNATIONAL CORP. NEW CASTLE, PA.

HLC20

HOT WATER HEATED
FRONT INTAKE
OPP. END SUP./RET.
HAZARDOUS LOCATION



MODEL	NOZZLE WIDTH "A"	MOUNTING WIDTH "B"	UNIT WIDTH "C"	OVERALL WIDTH "D"
HLC20-1060W-F	60.00 [152.40]	61.50 [156.21]	63.00 [160.02]	76.00 [193.04]
HLC20-1072W-F	72.00 [182.88]	73.50 [186.69]	75.00 [190.50]	88.00 [223.52]
HLC20-1084W-F	84.00 [213.36]	85.50 [217.17]	87.00 [220.98]	100.00 [254.00]
HLC20-1096W-F	96.00 [243.84]	97.50 [247.65]	99.00 [251.46]	112.00 [284.48]
HLC20-1108W-F	108.00 [274.32]	109.50 [278.13]	111.00 [281.94]	124.00 [314.96]
HLC20-1120W-F	117.00 [297.18]	118.50 [300.99]	120.00 [304.80]	133.00 [337.82]
HLC20-1132W-F	132.00 [335.28]	133.50 [339.09]	135.00 [342.90]	148.00 [375.92]
HLC20-1144W-F	144.00 [365.76]	145.50 [369.57]	147.00 [373.38]	160.00 [406.40]
HLC20-1156W-F	156.00 [396.24]	157.50 [400.05]	159.00 [403.86]	172.00 [436.88]
HLC20-1168W-F	168.00 [426.72]	169.50 [430.53]	171.00 [434.34]	184.00 [467.36]
HLC20-1180W-F	180.00 [457.20]	181.50 [461.01]	183.00 [464.82]	196.00 [497.84]
HL-20-2192W-F	192.00 [487.68]	193.50 [491.49]	195.00 [495.30]	208.00 [528.32]

- NOTES:**
- AIR CURTAIN MUST BE INSTALLED SO AIR STREAM IS NOT OBSTRUCTED WHEN DEFLECTED 20° TO EITHER SIDE OF \square .
 - ELECTRICAL CONNECTIONS TO BE FLEXIBLE.
 - FIELD VERIFY DIMENSIONS.
 - ANCHORS TO SUPPORTING STRUCTURE BY OTHERS.
 - ADEQUACY OF SUPPORTING STRUCTURE IS TO BE VERIFIED BY A PROFESSIONAL STRUCTURAL ENGINEER.
 - LETTER "W" IN MODEL NUMBER DESIGNATES HOT WATER HEATED UNIT, THE "F" IS FOR FRONT INTAKE.
 - REMOTE OPTIONAL CONTROL PANEL AVAILABLE; NEMA 4/12 FOR NON HAZARDOUS LOCATION MOUNTING; NEMA 7/9 FOR HAZARDOUS LOCATION MOUNTING. PLEASE SPECIFY.
 - COIL CONNECTIONS AS SHOWN, OPPOSITE AND SAME END CONNECTIONS AVAILABLE, PLEASE SPECIFY.
 - DIMENSIONS IN INCHES [CENTIMETERS].

PROJECT		
LOCATION		
ARCHITECT		
ENGINEER		
DWG. NO.	HLC20-WTR4	TITLE: BERNER
DATE	18JUNE14	MODEL HLC20 AIR CURTAIN
BY	S. Beil	HAZARDOUS LOCATION FRONT INTAKE HOT WATER HEATED SYSTEM
REPLACES	-	
BY	-	BERNER INTERNATIONAL CORP. NEW CASTLE, PA.