



INDUSTRIAL BELT DRIVE 20

Positive Indirect Gas Heated Air Curtain

Data Sheet

For Door Heights To 20' (environmental separation)

STANDARD CONSTRUCTION

- Single speed T.E.F.C. motor - belt drive
- Gray powder coated exterior (Optional: Custom Color or Stainless)
- Split cabinet construction for fan assembly removal
- Removable access panels
- Top Mounting only
- Front air intake only
- Motor location top right (Optional: top left)

- Factory mounted duct transition with bottom access panels
- Field installed ETL (US & Canada) Certified indirect gas heater(s):
 - Aluminized steel heat exchanger (Optional: Stainless)
 - Steel cabinet with beige finish
 - Spark ignited pilot
 - Power venter
 - Separate 120V power supply required (Optional: transformer for single point connection)

**2 Year
Limited
Warranty**



MODEL	Nozzle Width (in)	Max Vel. at Nozzle (fpm)	Avg. Outlet Vel. (fpm)	Air Volume (cfm)	Outlet Vel. Uniformity	Power Rating (kW)	Motor @ HP	Heater(s) @ Input (MBH)	Total Heater Output (MBH)	Air Temp. Rise (°F)	Net Wt. Air Curtain (lbs)	Net Wt. Duct Trans. (lbs)	Net Wt. Heater (lbs)
IBC20-1060G	60.00	6,580	3,870	6,854	89%	4.70	1 @ 5	1 @ 350.0	290.5	39°	445	118	325
IBC20-1072G	72.00	6,549	3,852	8,186	89%	4.90	1 @ 5	1 @ 350.0	290.5	33°	496	133	325
IBC20-1084G	84.00	6,076	3,574	8,861	87%	4.90	1 @ 5	1 @ 350.0	290.5	30°	547	148	325
IBC20-1096G	96.00	6,900	4,059	11,500	92%	6.80	1 @ 7½	2 @ 250.0	415.0	33°	673	156	2 @ 214
IBC20-1108G	108.00	6,747	3,969	12,650	90%	6.90	1 @ 7½	2 @ 250.0	415.0	30°	759	171	2 @ 214
IBC20-1120G	117.00	7,494	4,523	15,612	88%	8.70	1 @ 10	2 @ 350.0	581.0	34°	834	237	2 @ 325
IBC20-1132G	132.00	7,017	4,127	16,080	87%	8.90	1 @ 10	2 @ 350.0	581.0	33°	886	256	2 @ 325
IBC20-1144G	144.00	7,640	4,381	19,100	87%	11.70	1 @ 15	2 @ 400.0	664.0	32°	932	271	2 @ 339
IBC20-1156G	156.00	7,405	4,356	20,055	86%	11.90	1 @ 15	2 @ 400.0	664.0	31°	1,043	286	2 @ 339
IBC20-1168G	168.00	7,783	4,323	22,700	90%	12.80	1 @ 15	3 @ 350.0	871.5	35°	1,134	309	3 @ 325
IBC20-1180G	180.00	7,300	4,294	22,814	91%	12.90	1 @ 15	3 @ 350.0	871.5	35°	1,185	324	3 @ 325
IBC20-1192G	192.00	6,900	4,059	23,000	92%	13.60	1 @ 15	3 @ 350.0	871.5	35°	1,311	339	3 @ 325

NOTES:

1. Operation at 50 Hz will generate approximately a 17% reduction in performance.
2. Performance data based on AMCA licensed data from unheated IDC20 units.
3. Maximum leaving air temperature shall not exceed 120°F.
4. Duct transition is factory mounted to air curtain and requires individual support.
5. Gas heater(s) shall not be directly connected to transition and require individual support.
6. Maximum gas supply pressure: 1/2 psi, 8 ounces, or 14 inches water column.
7. Vertically mounted Industrial Belt Drive air curtains not available.

See sheet EP-458 for amp draws/total load requirements.

MODEL NUMBER CONFIGURATION

IBC20-1 060 G D-F T-SS

Series	# of Motors	Opening Width	Heat	Voltage	Intake	Motor Location	Opt. Cabinet Finish
IBC20	1	060" - 192"	G=Indirect Gas Heated	D=208/3/60 E=240/3/60 H=480/3/60 I=600/3/60 T=380/3/50	F=Front	T=Top	SS=Stainless Steel CC=Custom Color

Sound level measured 10' (3m) from the unit in free field:
5, 7½, 10 & 15 hp motor(s):
73 dBA, 75 dBA, 76 dBA & 78 dBA

Berner reserves the right to alter specifications without prior notice.



INDUSTRIAL BELT DRIVE 20

**Positive Indirect Gas Heated Air Curtain
Electrical Performance Sheet**

208/3/60 (voltage code D) TOTAL MOTOR AMP DRAW												
				MULTIPLE CKT - MOTOR PANEL & HEATER					SINGLE CKT - MOTOR PANEL & XFMR FOR HEATER			
MODEL	HEATER MBH	Temp Rise °F	Qty @ HP	# CKTS	AMPS PER CIRCUIT		BREAKER RATING PER CIRCUIT		# CKTS	XFMR KVA	AMPS PER CIRCUIT (including XFMR)	BREAKER RATING PER CIRCUIT
					MOTOR 208V CKT	HEATER 120V CKT	MOTOR 208V CKT	HEATER 120V CKT				
IBC20-1060G	1 @ 350	39	1 @ 5	2	13.6	13.8	30	20	1	2	23.2	30
IBC20-1072G	1 @ 350	33	1 @ 5	2	13.6	13.8	30	20	1	2	23.2	30
IBC20-1084G	1 @ 350	30	1 @ 5	2	13.6	13.8	30	20	1	2	23.2	30
IBC20-1096G	2 @ 250	33	1 @ 7.5	3	20.0	8.0/8.0	50	15/15	1	2	29.6	50
IBC20-1108G	2 @ 250	30	1 @ 7.5	3	20.0	8.0/8.0	50	15/15	1	2	29.6	50
IBC20-1120G	2 @ 350	34	1 @ 10	3	26.5	13.8/13.8	60	20/20	1	5	50.5	70
IBC20-1132G	2 @ 350	33	1 @ 10	3	26.5	13.8/13.8	60	20/20	1	5	50.5	70
IBC20-1144G	2 @ 400	32	1 @ 15	3	40.0	13.8/13.8	100	20/20	1	5	64.0	100
IBC20-1156G	2 @ 400	31	1 @ 15	3	40.0	13.8/13.8	100	20/20	1	5	64.0	100
IBC20-1168G	3 @ 350	35	1 @ 15	4	40.0	13.8/13.8/13.8	100	20/20/20	1	7.5	76.1	100
IBC20-1180G	3 @ 350	35	1 @ 15	4	40.0	13.8/13.8/13.8	100	20/20/20	1	7.5	76.1	100
IBC20-1192G	3 @ 350	35	1 @ 15	4	40.0	13.8/13.8/13.8	100	20/20/20	1	7.5	76.1	100



INDUSTRIAL BELT DRIVE 20

**Positive Indirect Gas Heated Air Curtain
Electrical Performance Sheet**

240/3/60 (voltage code E)												
TOTAL MOTOR AMP DRAW												
MODEL	HEATER MBH	Temp Rise °F	Qty @ HP	# CKTS	MULTIPLE CKT - MOTOR PANEL & HEATER				SINGLE CKT - MOTOR PANEL & XFMR FOR HEATER			
					AMPS PER CIRCUIT		BREAKER RATING PER CIRCUIT		# CKTS	XFMR KVA	AMPS PER CIRCUIT (including XFMR)	BREAKER RATING PER CIRCUIT
					MOTOR 240V CKT	HEATER 120V CKT	MOTOR 240V CKT	HEATER 120V CKT				
IBC20-1060G	1 @ 350	39	1 @ 5	2	12.3	13.8	30	20	1	2	20.6	30
IBC20-1072G	1 @ 350	33	1 @ 5	2	12.3	13.8	30	20	1	2	20.6	30
IBC20-1084G	1 @ 350	30	1 @ 5	2	12.3	13.8	30	20	1	2	20.6	30
IBC20-1096G	2 @ 250	33	1 @ 7.5	3	18.2	8.0/8.0	45	15/15	1	2	26.5	45
IBC20-1108G	2 @ 250	30	1 @ 7.5	3	18.2	8.0/8.0	45	15/15	1	2	26.5	45
IBC20-1120G	2 @ 350	34	1 @ 10	3	23.9	13.8/13.8	60	20/20	1	5	44.7	60
IBC20-1132G	2 @ 350	33	1 @ 10	3	23.9	13.8/13.8	60	20/20	1	5	44.7	60
IBC20-1144G	2 @ 400	32	1 @ 15	3	37.0	13.8/13.8	100	20/20	1	5	57.8	100
IBC20-1156G	2 @ 400	31	1 @ 15	3	37.0	13.8/13.8	100	20/20	1	5	57.8	100
IBC20-1168G	3 @ 350	35	1 @ 15	4	37.0	13.8/13.8/13.8	100	20/20/20	1	7.5	68.3	100
IBC20-1180G	3 @ 350	35	1 @ 15	4	37.0	13.8/13.8/13.8	100	20/20/20	1	7.5	68.3	100
IBC20-1192G	3 @ 350	35	1 @ 15	4	37.0	13.8/13.8/13.8	100	20/20/20	1	7.5	68.3	100



INDUSTRIAL BELT DRIVE 20

**Positive Indirect Gas Heated Air Curtain
Electrical Performance Sheet**

					480/3/60 (voltage code H) TOTAL MOTOR AMP DRAW							
					MULTIPLE CKT - MOTOR PANEL & HEATER				SINGLE CKT - MOTOR PANEL & XFMR FOR HEATER			
MODEL	HEATER MBH	Temp Rise °F	Qty @ HP	# CKTS	AMPS PER CIRCUIT		BREAKER RATING PER CIRCUIT		# CKTS	XFMR KVA	AMPS PER CIRCUIT (including XFMR)	BREAKER RATING PER CIRCUIT
					MOTOR 480V CKT	HEATER 120V CKT	MOTOR 480V CKT	HEATER 120V CKT				
IBC20-1060G	1 @ 350	39	1 @ 5	2	6.2	13.8	15	20	1	2	10.4	15
IBC20-1072G	1 @ 350	33	1 @ 5	2	6.2	13.8	15	20	1	2	10.4	15
IBC20-1084G	1 @ 350	30	1 @ 5	2	6.2	13.8	15	20	1	2	10.4	15
IBC20-1096G	2 @ 250	33	1 @ 7.5	3	9.1	8.0/8.0	25	15/15	1	2	13.3	25
IBC20-1108G	2 @ 250	30	1 @ 7.5	3	9.1	8.0/8.0	25	15/15	1	2	13.3	25
IBC20-1120G	2 @ 350	34	1 @ 10	3	12.0	13.8/13.8	30	20/20	1	5	22.4	30
IBC20-1132G	2 @ 350	33	1 @ 10	3	12.0	13.8/13.8	30	20/20	1	5	22.4	30
IBC20-1144G	2 @ 400	32	1 @ 15	3	18.4	13.8/13.8	45	20/20	1	5	28.8	45
IBC20-1156G	2 @ 400	31	1 @ 15	3	18.4	13.8/13.8	45	20/20	1	5	28.8	45
IBC20-1168G	3 @ 350	35	1 @ 15	4	18.4	13.8/13.8/13.8	45	20/20/20	1	7.5	34.0	45
IBC20-1180G	3 @ 350	35	1 @ 15	4	18.4	13.8/13.8/13.8	45	20/20/20	1	7.5	34.0	45
IBC20-1192G	3 @ 350	35	1 @ 15	4	18.4	13.8/13.8/13.8	45	20/20/20	1	7.5	34.0	45



INDUSTRIAL BELT DRIVE 20

Positive Indirect Gas Heated Air Curtain
Electrical Performance Sheet

600/3/60 (voltage code I)												
TOTAL MOTOR AMP DRAW												
MODEL	HEATER MBH	Temp Rise °F	Qty @ HP	# CKTS	MULTIPLE CKT - MOTOR PANEL & HEATER				SINGLE CKT - MOTOR PANEL & XFMR FOR HEATER			
					AMPS PER CIRCUIT		BREAKER RATING PER CIRCUIT		# CKTS	XFMR KVA	AMPS PER CIRCUIT (including XFMR)	BREAKER RATING PER CIRCUIT
					MOTOR 600V CKT	HEATER 120V CKT	MOTOR 600V CKT	HEATER 120V CKT				
IBC20-1060G	1 @ 350	39	1 @ 5	2	5.1	13.8	15	20	1	2	8.4	15
IBC20-1072G	1 @ 350	33	1 @ 5	2	5.1	13.8	15	20	1	2	8.4	15
IBC20-1084G	1 @ 350	30	1 @ 5	2	5.1	13.8	15	20	1	2	8.4	15
IBC20-1096G	2 @ 250	33	1 @ 7.5	3	7.2	8.0/8.0	15	15/15	1	2	10.5	15
IBC20-1108G	2 @ 250	30	1 @ 7.5	3	7.2	8.0/8.0	15	15/15	1	2	10.5	15
IBC20-1120G	2 @ 350	34	1 @ 10	3	9.6	13.8/13.8	20	20/20	1	5	17.9	25
IBC20-1132G	2 @ 350	33	1 @ 10	3	9.6	13.8/13.8	20	20/20	1	5	17.9	25
IBC20-1144G	2 @ 400	32	1 @ 15	3	14.6	13.8/13.8	30	20/20	1	5	22.9	30
IBC20-1156G	2 @ 400	31	1 @ 15	3	14.6	13.8/13.8	30	20/20	1	5	22.9	30
IBC20-1168G	3 @ 350	35	1 @ 15	4	14.6	13.8/13.8/13.8	30	20/20/20	1	7.5	27.1	35
IBC20-1180G	3 @ 350	35	1 @ 15	4	14.6	13.8/13.8/13.8	30	20/20/20	1	7.5	27.1	35
IBC20-1192G	3 @ 350	35	1 @ 15	4	14.6	13.8/13.8/13.8	30	20/20/20	1	7.5	27.1	35



INDUSTRIAL BELT DRIVE 20

**Positive Indirect Gas Heated Air Curtain
Electrical Performance Sheet**

380/3/50 (voltage code T) TOTAL MOTOR AMP DRAW												
				MULTIPLE CKT - MOTOR PANEL & HEATER					SINGLE CKT - MOTOR PANEL & XFMR FOR HEATER			
MODEL	HEATER MBH	Temp Rise °F	Qty @ HP	# CKTS	AMPS PER CIRCUIT		BREAKER RATING PER CIRCUIT		# CKTS	XFMR KVA	AMPS PER CIRCUIT (including XFMR)	BREAKER RATING PER CIRCUIT
					MOTOR 380V CKT	HEATER 120V CKT	MOTOR 380V CKT	HEATER 120V CKT				
IBC20-1060G	1 @ 350	39	1 @ 5	2	6.2	13.8	15	20	1	2	11.5	15
IBC20-1072G	1 @ 350	33	1 @ 5	2	6.2	13.8	15	20	1	2	11.5	15
IBC20-1084G	1 @ 350	30	1 @ 5	2	6.2	13.8	15	20	1	2	11.5	15
IBC20-1096G	2 @ 250	33	1 @ 7.5	3	9.1	8.0/8.0	25	15/15	1	2	14.4	25
IBC20-1108G	2 @ 250	30	1 @ 7.5	3	9.1	8.0/8.0	25	15/15	1	2	14.4	25
IBC20-1120G	2 @ 350	34	1 @ 10	3	12.0	13.8/13.8	30	20/20	1	5	25.2	35
IBC20-1132G	2 @ 350	33	1 @ 10	3	12.0	13.8/13.8	30	20/20	1	5	25.2	35
IBC20-1144G	2 @ 400	32	1 @ 15	3	18.4	13.8/13.8	45	20/20	1	5	31.6	45
IBC20-1156G	2 @ 400	31	1 @ 15	3	18.4	13.8/13.8	45	20/20	1	5	31.6	45
IBC20-1168G	3 @ 350	35	1 @ 15	4	18.4	13.8/13.8/13.8	45	20/20/20	1	7.5	38.1	50
IBC20-1180G	3 @ 350	35	1 @ 15	4	18.4	13.8/13.8/13.8	45	20/20/20	1	7.5	38.1	50
IBC20-1192G	3 @ 350	35	1 @ 15	4	18.4	13.8/13.8/13.8	45	20/20/20	1	7.5	38.1	50

Page 5 of 5

Berner reserves the right to alter specifications without prior notice.

www.berner.com Berner International 800.245-4455
111 Progress Ave. / New Castle / PA / 16101 / USA

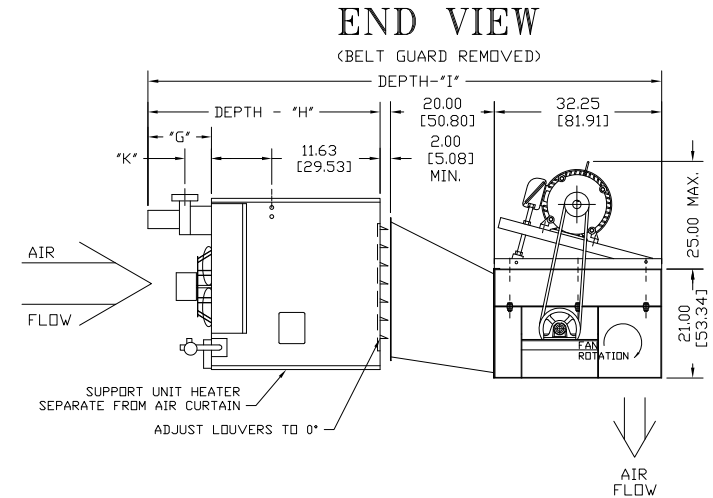
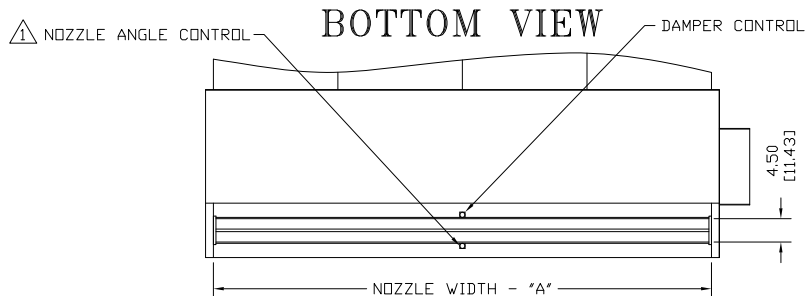
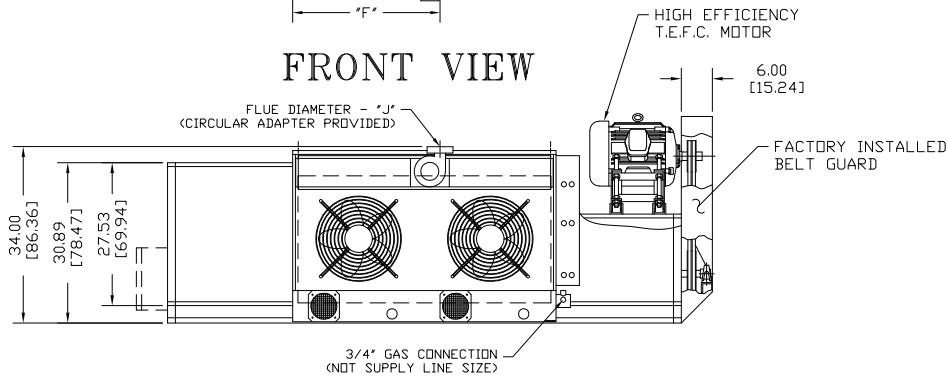
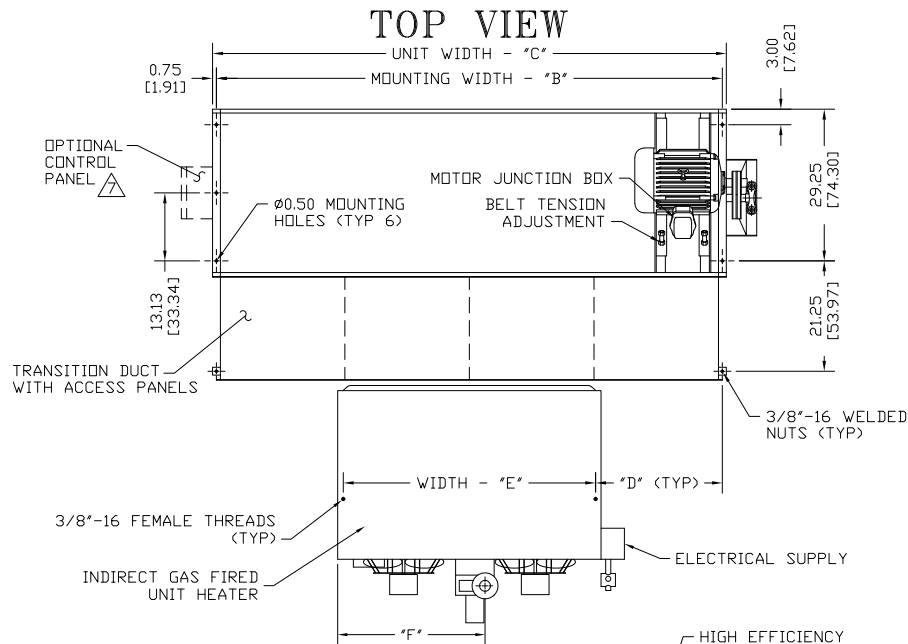
EP-458
February, 2020

IBC20

INDIRECT GAS HEATED ONE HEATER SYSTEM FRONT INTAKE

NOTES:

- ⚠ AIR CURTAIN MUST BE INSTALLED SO AIR STREAM IS NOT OBSTRUCTED WHEN DEFLECTED 20° TO EITHER SIDE OF ϕ .
- ⚠ ELECTRICAL CONNECTIONS TO BE FLEXIBLE.
- ⚠ FIELD VERIFY DIMENSIONS.
- ⚠ ANCHORS TO SUPPORTING STRUCTURE BY OTHERS.
- ⚠ ADEQUACY OF SUPPORTING STRUCTURE IS TO BE VERIFIED BY A PROFESSIONAL STRUCTURAL ENGINEER.
- ⚠ LETTER 'G' IN MODEL NUMBER DESIGNATES, POSITIVE INDIRECT GAS HEATER UNIT. 'F' DESIGNATES FRONT INTAKE, 'T' IS TOP MOTOR.
- ⚠ OPTIONAL CONTROL PANEL AVAILABLE: LEFT HAND MOUNT, RIGHT HAND MOUNT, OR REMOTE. PLEASE SPECIFY.
- ⚠ HEATER IS EQUIPPED FOR A GAS SUPPLY PRESSURE MAXIMUM OF 0.50 PSI, 8 OUNCES, OR 14 INCHES WC AND A MINIMUM OF 0.18 PSI, 3 OUNCES OR 5" WC.
- ⚠ DIMENSIONS IN INCHES (CENTIMETERS).



CAUTION:

HEATER IS EQUIPPED FOR A MAXIMUM GAS SUPPLY PRESSURE OF 1/2 POUND, 8 OUNCES, OR 14 INCHES WATER COLUMN.

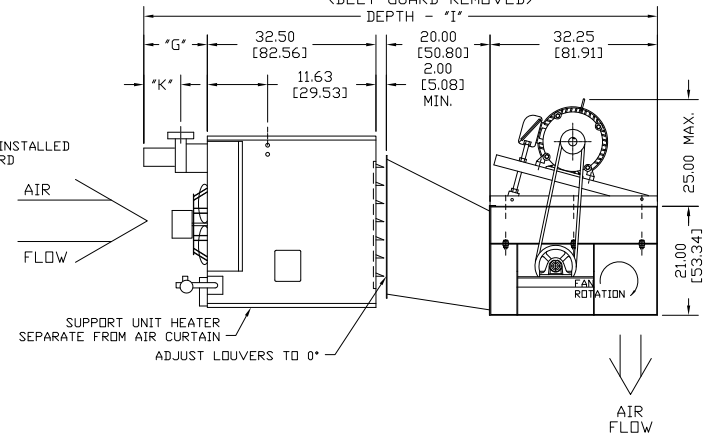
MODEL	NOZZLE WIDTH "A"	MOUNTING WIDTH "B"	UNIT WIDTH "C"	TOTAL NO. HEATER(S) @ MBTU INPUT	UNIT TO HTR. MOUNTING WIDTH "D"	HEATER MOUNTING WIDTH "E"	HTR. CABINET TO ϕ OF FLUE WIDTH "F"	OVERALL FLUE DEPTH "G"	OVERALL HEATER DEPTH "H"	OVERALL SYSTEM DEPTH "I"	FLUE DIAMETER "J"	HTR. CABINET TO FLUE ϕ DEPTH "K"	BETWEEN HTR. MOUNTING WIDTH "L"	PROJECT	LOCATION	ARCHITECT	ENGINEER	REV.	A
IBC20-1060G-FT	60.00 [152.40]	61.50 [156.21]	63.00 [160.02]	1 @ 350	6.44 [16.36]	48.63 [123.52]	28.38 [72.08]	12.25 [31.12]	44.75 [113.66]	99.00 [251.46]	6.00 [15.24]	5.13 [13.03]	-	DWG. NO. IBC20-IGF1-XF	DATE 07MAY2021	TITLE: BERNER MODEL IBC20 AIR CURTAIN INDIRECT GAS FIRED - ONE HEATER SYSTEM	BY S. Beil	REPLACES 25MAR2021	BERNER INTERNATIONAL CORP. NEW CASTLE, PA.
IBC20-1072G-FT	72.00 [182.88]	73.50 [186.69]	75.00 [190.50]	1 @ 350	12.44 [31.60]	48.63 [123.52]	28.38 [72.08]	12.25 [31.12]	44.75 [113.66]	99.00 [251.46]	6.00 [15.24]	5.13 [13.03]	-	BY S. Beil					
IBC20-1084G-FT	84.00 [213.36]	85.50 [217.17]	87.00 [220.98]	1 @ 350	18.44 [46.84]	48.63 [123.52]	28.38 [72.08]	12.25 [31.12]	44.75 [113.66]	99.00 [251.46]	6.00 [15.24]	5.13 [13.03]	-	BY S. Beil					

IBC20 INDIRECT GAS HEATED TWO HEATER SYSTEM FRONT INTAKE

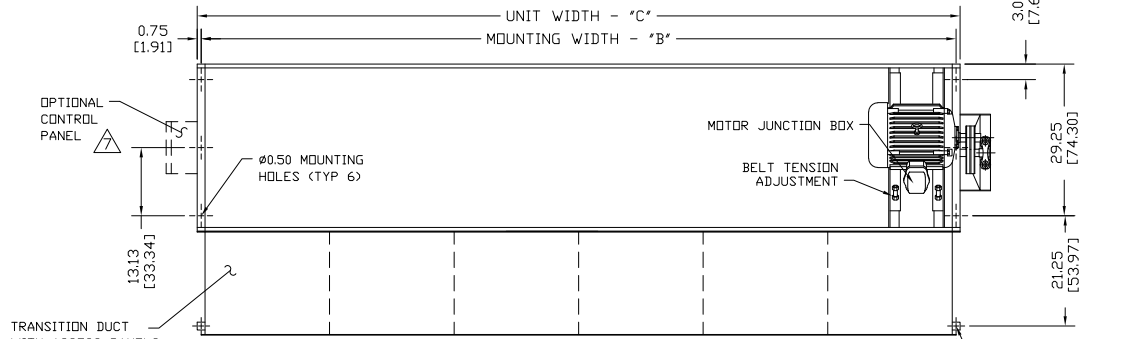
NOTES:

- ⚠️ AIR CURTAIN MUST BE INSTALLED SO AIR STREAM IS NOT OBSTRUCTED WHEN DEFLECTED 20° TO EITHER SIDE OF ϕ .
- ⚠️ ELECTRICAL CONNECTIONS TO BE FLEXIBLE.
- ⚠️ FIELD VERIFY DIMENSIONS.
- ⚠️ ANCHORS TO SUPPORTING STRUCTURE BY OTHERS.
- ⚠️ ADEQUACY OF SUPPORTING STRUCTURE IS TO BE VERIFIED BY A PROFESSIONAL STRUCTURAL ENGINEER.
- ⚠️ LETTER 'G' IN MODEL NUMBER DESIGNATES, POSITIVE INDIRECT GAS HEATER UNIT. 'F' DESIGNATES FRONT INTAKE, 'T' IS TOP MOTOR.
- ⚠️ OPTIONAL CONTROL PANEL AVAILABLE: LEFT HAND MOUNT, RIGHT HAND MOUNT, OR REMOVE. PLEASE SPECIFY.
- ⚠️ HEATER IS EQUIPPED FOR A GAS SUPPLY PRESSURE MAXIMUM OF 0.50 PSI, 8 OUNCES, OR 14 INCHES WC AND A MINIMUM OF 0.18 PSI, 3 OUNCES OR 5" WC.
- ⚠️ DIMENSIONS IN INCHES (CENTIMETERS).

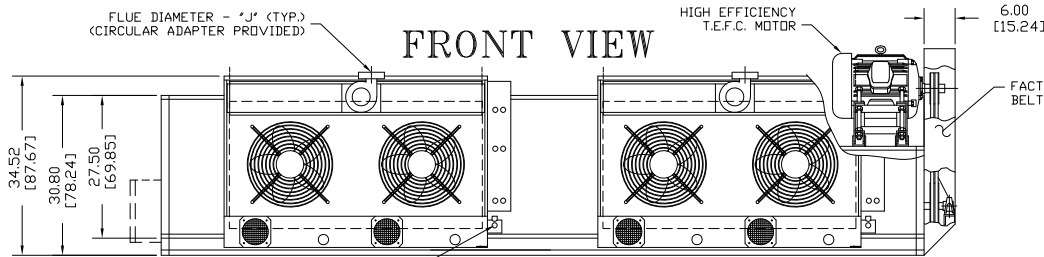
END VIEW (BELT GUARD REMOVED)



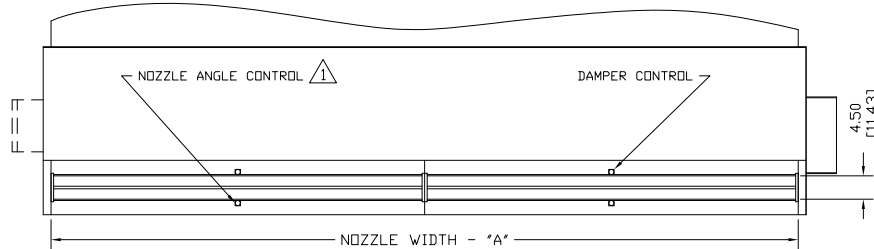
TOP VIEW



FRONT VIEW



BOTTOM VIEW



CAUTION:

HEATER IS EQUIPPED FOR A MAXIMUM GAS SUPPLY PRESSURE OF 1/2 POUND, 8 OUNCES, OR 14 INCHES WATER COLUMN.

MODEL	NOZZLE WIDTH 'A'	MOUNTING WIDTH 'B'	UNIT WIDTH 'C'	TOTAL NO. HEATER(S) @ MBTU INPUT	UNIT TO HTR. MOUNTING WIDTH 'D'	HEATER MOUNTING WIDTH 'E'	HTR. CABINET TO ϕ OF FLUE WIDTH 'F'	OVERALL FLUE DEPTH 'G'	OVERALL HEATER DEPTH 'H'	OVERALL SYSTEM DEPTH 'I'	FLUE DIAMETER 'J'	HTR. CABINET TO FLUE ϕ DEPTH 'K'	BETWEEN HTR. MOUNTING WIDTH 'L'	PROJECT	LOCATION	ARCHITECT	ENGINEER
														REV.	B		
IBC20-1096G-FT	96.00 [243.84]	97.50 [247.65]	99.00 [251.46]	2 @ 250	9.44 [23.98]	30.63 [77.80]	19.38 [49.20]	11.00 [27.94]	43.50 [110.50]	97.75 [248.28]	5.00 [12.70]	4.75 [12.06]	17.38 [44.14]				
IBC20-1108G-FT	108.00 [274.32]	109.50 [278.13]	111.00 [281.94]	2 @ 250	12.44 [31.60]	30.63 [77.80]	19.38 [49.20]	11.00 [27.94]	43.50 [110.50]	97.75 [248.28]	5.00 [12.70]	4.75 [12.06]	23.38 [59.38]	DWG. NO.	IBC20-IGF2-XF	TITLE:	BERNER
IBC20-1120G-FT	117.00 [297.18]	118.50 [300.99]	120.00 [304.80]	2 @ 350	5.69 [14.45]	48.63 [123.52]	28.38 [72.06]	12.25 [31.12]	44.75 [113.66]	99.00 [251.46]	6.00 [15.24]	5.13 [13.03]	9.88 [25.09]	DATE	07MAY2021	BY	S. Beil
IBC20-1132G-FT	132.00 [335.28]	133.50 [339.09]	135.00 [342.90]	2 @ 350	9.44 [23.98]	48.63 [123.52]	28.38 [72.06]	12.25 [31.12]	44.75 [113.66]	99.00 [251.46]	6.00 [15.24]	5.13 [13.03]	17.38 [44.14]	REPLACES	25MAR2021	BY	S. Beil
IBC20-1144G-FT	144.00 [365.76]	145.50 [369.57]	147.00 [373.38]	2 @ 400	12.44 [31.60]	48.63 [123.52]	28.38 [72.06]	12.25 [31.12]	44.75 [113.66]	99.00 [251.46]	6.00 [15.24]	5.13 [13.03]	23.38 [59.38]	REPLACES	25MAR2021	BY	S. Beil
IBC20-1156G-FT	156.00 [396.24]	157.50 [400.05]	159.00 [403.86]	2 @ 400	15.44 [39.22]	48.63 [123.52]	28.38 [72.06]	12.25 [31.12]	44.75 [113.66]	99.00 [251.46]	6.00 [15.24]	5.13 [13.03]	29.38 [74.62]	REPLACES	25MAR2021	BY	S. Beil

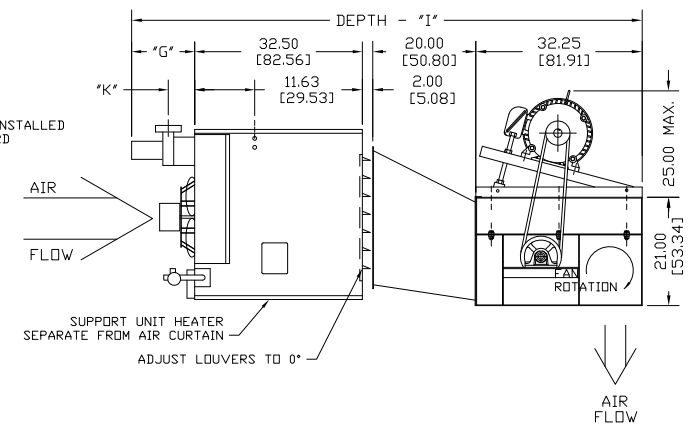
MODEL IBC20 AIR CURTAIN
INDIRECT GAS FIRED - TWO HEATER SYSTEM
BERNER INTERNATIONAL CORP.
NEW CASTLE, PA.

IBC20 INDIRECT GAS HEATED THREE HEATER SYSTEM FRONT INTAKE

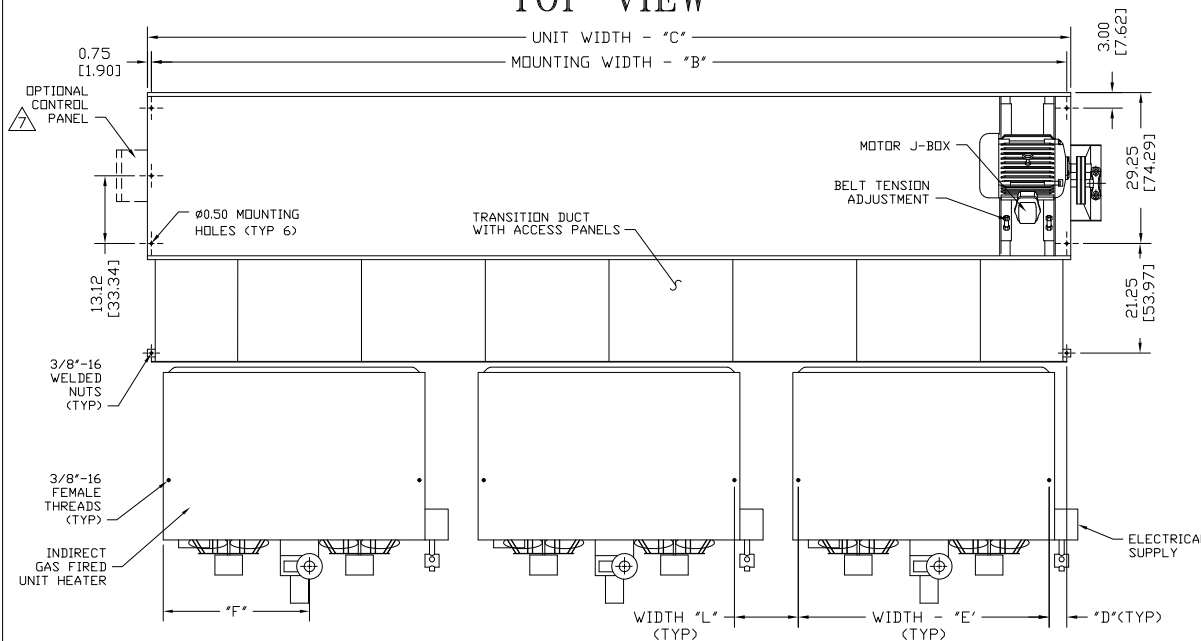
NOTES:

- 1 AIR CURTAIN MUST BE INSTALLED SO AIR STREAM IS NOT OBSTRUCTED WHEN DEFLECTED 20° TO EITHER SIDE OF ϕ .
- 2 ELECTRICAL CONNECTIONS TO BE FLEXIBLE.
- 3 FIELD VERIFY DIMENSIONS.
- 4 ANCHORS TO SUPPORTING STRUCTURE BY OTHERS.
- 5 ADEQUACY OF SUPPORTING STRUCTURE IS TO BE VERIFIED BY A PROFESSIONAL STRUCTURAL ENGINEER.
- 6 LETTER 'G' IN MODEL NUMBER DESIGNATES, POSITIVE INDIRECT GAS HEATER UNIT. 'F' DESIGNATES FRONT INTAKE, 'T' IS TOP MOTOR.
- 7 OPTIONAL CONTROL PANEL AVAILABLE: LEFT HAND MOUNT, RIGHT HAND MOUNT, OR REMOTE. PLEASE SPECIFY.
- 8 HEATER IS EQUIPPED FOR A GAS SUPPLY PRESSURE MAXIMUM OF 0.50 PSI, 8 OUNCES, OR 14 INCHES WC AND A MINIMUM OF 0.18 PSI, 3 OUNCES OR 5" WC.
- 9 DIMENSIONS IN INCHES [CENTIMETERS].

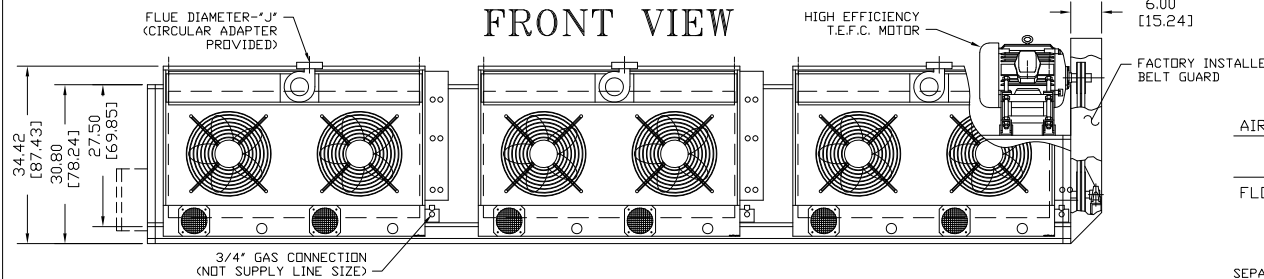
END VIEW (BELT GUARD REMOVED)



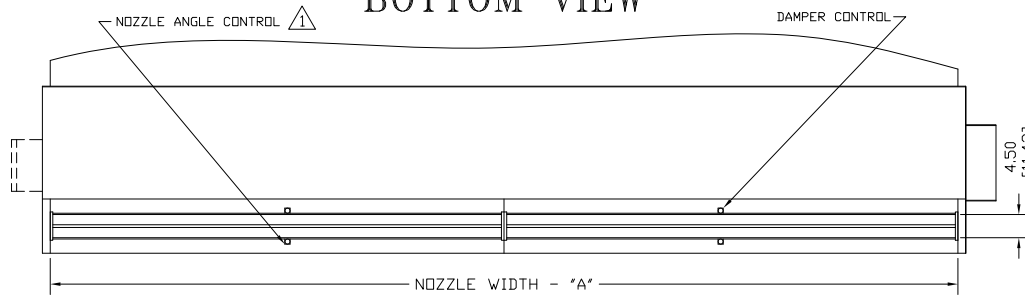
TOP VIEW



FRONT VIEW



BOTTOM VIEW



CAUTION:

HEATER IS EQUIPPED FOR A MAXIMUM GAS SUPPLY PRESSURE OF 1/2 POUND, 8 OUNCES, OR 14 INCHES WATER COLUMN.

MODEL	NOZZLE WIDTH 'A'	MOUNTING WIDTH 'B'	UNIT WIDTH 'C'	TOTAL NO. HEATER(S) @ MBTU INPUT	UNIT TO HTR. MOUNTING WIDTH 'D'	HEATER MOUNTING WIDTH 'E'	HTR. CABINET TO ϕ OF FLUE WIDTH 'F'	OVERALL FLUE DEPTH 'G'	OVERALL HEATER DEPTH 'H'	OVERALL SYSTEM DEPTH 'I'	FLUE DIAMETER 'J'	HTR. CABINET TO FLUE ϕ DEPTH 'K'	BETWEEN HTR. MOUNTING WIDTH 'L'	ENGINEER	REV.
IBC20-1168G-FT	168.00 [426.72]	169.50 [430.53]	171.00 [434.34]	3 @ 350	4.44 [11.28]	48.63 [123.52]	28.38 [72.08]	12.25 [31.12]	44.75 [113.66]	99.00 [251.46]	6.00 [15.24]	5.13 [13.02]	7.38 [18.74]	BY S. Beil	07MAY2021
IBC20-1180G-FT	180.00 [457.20]	181.50 [461.01]	183.00 [464.82]	3 @ 350	6.44 [16.36]	48.63 [123.52]	28.38 [72.08]	12.25 [31.12]	44.75 [113.66]	99.00 [251.46]	6.00 [15.24]	5.13 [13.02]	11.38 [28.90]	REPLACES 25MAR2021	DATE
IBC20-1192G-FT	192.00 [487.68]	193.50 [491.49]	195.00 [495.30]	3 @ 350	8.44 [21.44]	48.63 [123.52]	28.38 [72.08]	12.25 [31.12]	44.75 [113.66]	99.00 [251.46]	6.00 [15.24]	5.13 [13.02]	15.38 [39.06]	BY S. Beil	DATE

BERNER
MODEL IBC20 AIR CURTAIN
INDIRECT GAS FIRED - THREE HEATER SYSTEM
BERNER INTERNATIONAL CORP.
NEW CASTLE, PA.