



WHEN THE DOORS ARE OPEN

- ✓ PROTECT OCCUPANT COMFORT
- ✓ MEET AESTHETICS
- ✓ SAVE ENERGY - KEEP OUTSIDE AIR OUT

The Berner RevolvAir™

Air Curtain System for Revolving Doors

Meet the expectation that occupants can comfortably socialize, work, and hang out in the lobby.

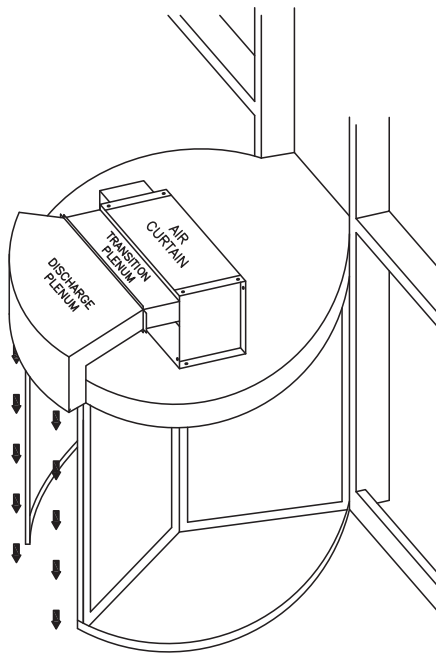


800-245-4455
www.Berner.com

When the doors are open,™ BERNER AIR CURTAINS

The Berner RevolvAir™

Air Curtain System for Revolving Doors



- Concealed or Exposed systems
- Modular pre-fitted field assembly
- Simple to install, operate and maintain

Benefits:

- Exterior temperatures, odors & fumes kept out of the lobby
- HVAC operational costs reduced
- Occupant comfort maintained

IDEAL APPLICATIONS:

Main Entrances
Lobbies

HEAT OPTIONS:

Electric
Steam
Hot Water

Custom Colors, Stainless Steel (Grade 304 or better)
Aluminum & other finishes available

DISCHARGE & TRANSITION PLENUM: Modular, pre-fitted construction

- Sized according to revolving door radius & opening width
- Sky white powder coated exterior
- Aluminum airfoil vanes for smooth air flow

Sold Separately:

- Customized trim packages
- Exit sign, red or green LED lettering

Controls

Factory installed Intelliswitch™ digital controller:

- Low voltage circuit for unit activation (BMS)
- Time delay
- External thermostat provision
- RoHS compliant
- Temperature Probe (heated units only)
- Remote Display

Sold Separately:

- Wi-Fi Controller, works with the Berner App
- Handheld Remote Control

Installation & Mounting

Simple to install, operate & maintain

- Air Curtain – no assembly required
- Discharge & Transition Plenum – Modular, pre-fitted construction
- Structural support field provided by others

AIR CURTAIN Standard Construction

- 18" high x 15" deep
- ½ hp motor(s) – direct drive, ten fan speeds
- Factory mounted UL listed control panel
- Sky white powder coated exterior, screen, and access panels
- UL Listed

Parts Warranty:

Ambient - Five years, Heated - Two years



the Berner App!
Order the Wi-Fi Controller
to control and monitor
from your smart phone!



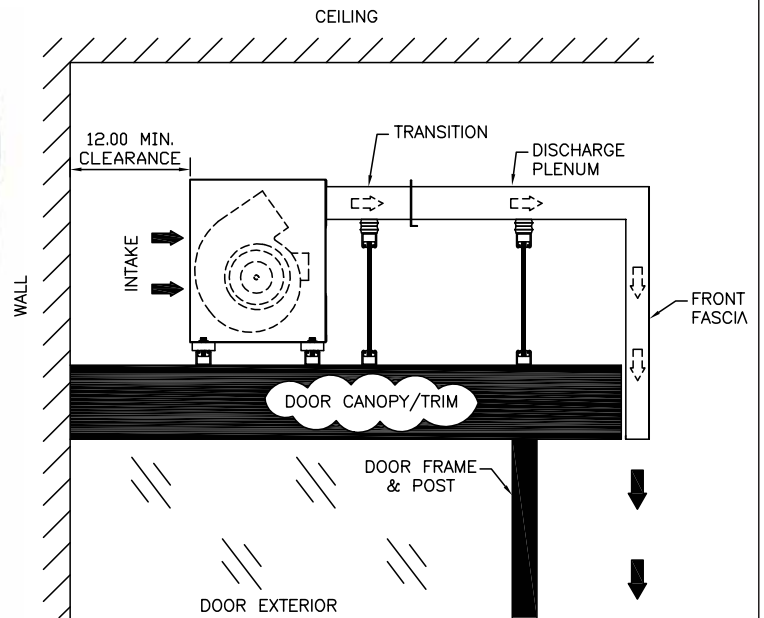
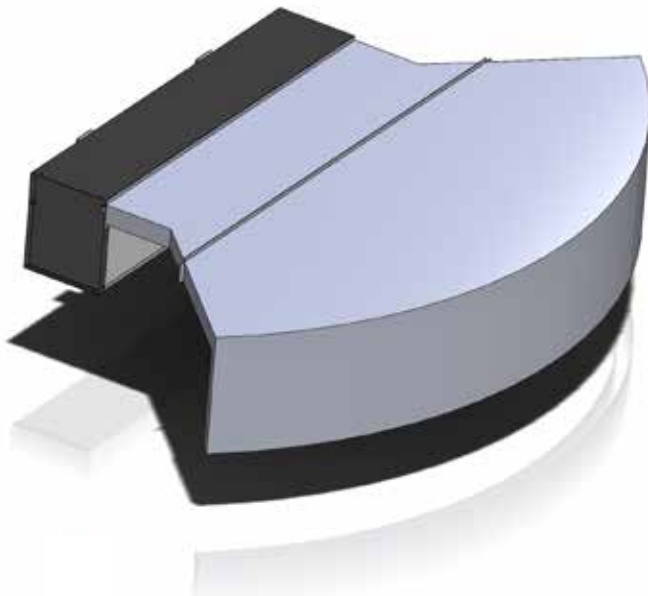
www.Berner.com

How it Works to Keep the Lobby Comfortable:

The revolving door acts as an air lock, bringing people, but also bringing outside temperatures and fumes into the lobby. When outdoor temperatures are extreme, such as in Winter, the entrance of cold air is quite noticeable.

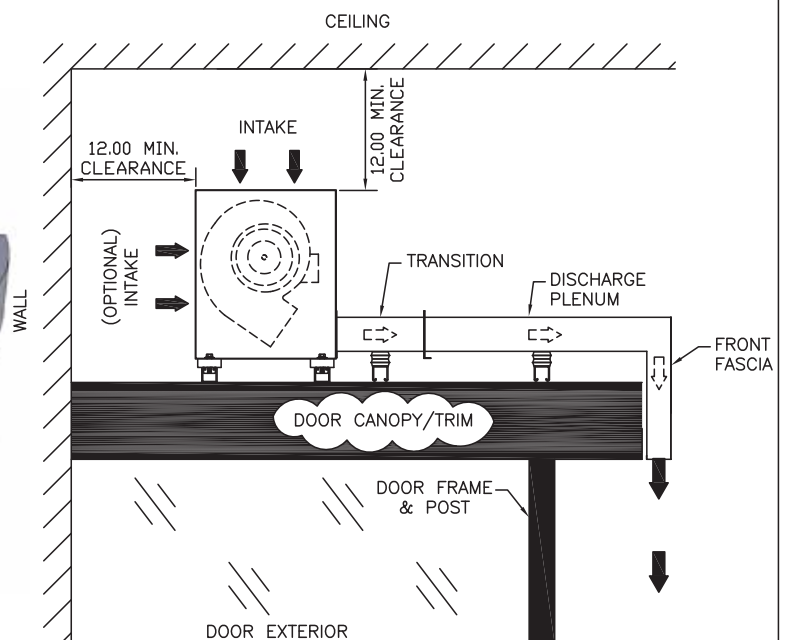
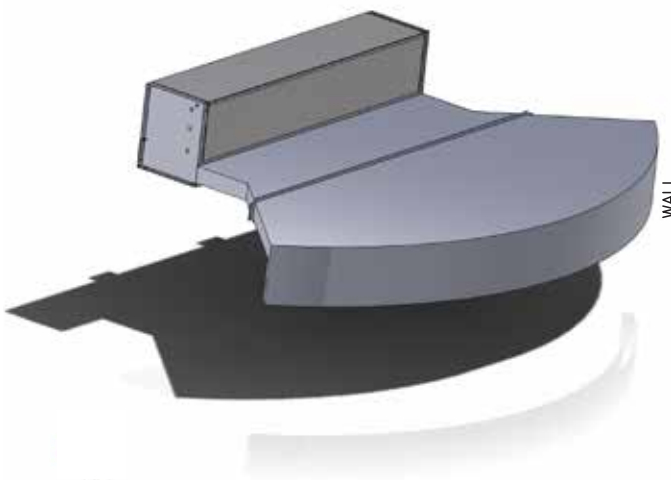
Mounted over the revolving door, on the interior of the building, the air curtain system provides a low unobtrusive curtain of air across the door opening that keeps the unwanted outside air trapped within the door chambers as they rotate past the lobby.

CONCEALED SYSTEM



Berner offers customized aesthetically pleasing trim packages.

EXPOSED SYSTEM



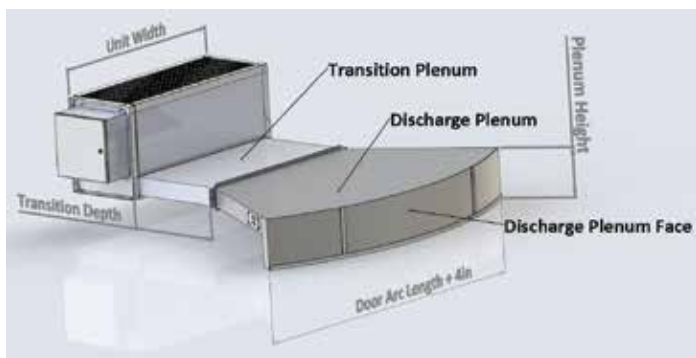
BERNER REVOLVAIR PERFORMANCE DATA

MODEL	Plenum Arc Length (inches)	Max Vel. at Nozzle (fpm)	Linear ft. Plenum Arc		Outlet Vel. Uniformity	Power Rating (kW)	Motor(s) @ HP	Air Curtain Weight (lbs.)	* Individual Weights			
			Avg. Out. Vel. (fpm)	Air Volume (cfm)					** Discharge Plenum		*** Transition Plenum Weight (lbs./sqft.)	
									Plenum Height W x H / 144 x Multiplier (lbs./sqft.)	Special Weight Adder (lbs.)		
AMBIENT	RVC-1036A	36 - 60	1,075	960	200	92%	0.51	1 @ 1/2	100	4.0	55	4.9
	RVC-1048A	61 - 83	1,075	960	200	92%	0.53	1 @ 1/2	111	4.5	90	
	RVC-2072A	84 - 108	1,075	960	200	92%	1.02	2 @ 1/2	178	5.5	120	
	RVC-3096A	109 - 144	1,075	960	200	92%	1.50	3 @ 1/2	240	6.5	165	

MODEL	Plenum Arc Length (inches)	Max Vel. at Nozzle (fpm)	Linear ft. Plenum Arc		Outlet Vel. Uniformity	Power Rating (kW)	Motor(s) @ HP	Max. Electric Capacity (kW)	Heater Output (MBH)	Air Temp. Rise (°F)	Air Curtain Weight (lbs.)	* Individual Weights			
			Avg. Out. Vel. (fpm)	Air Volume (cfm)								** Discharge Plenum		*** Transition Plenum Weight (lbs./sqft.)	
												Plenum Height W x H / 144 x Multiplier (lbs./sqft.)	Special Weight Adder (lbs.)		
ELECTRIC HEAT	RVC-1036E	36 - 60	1,075	960	200	92%	0.51	1 @ 1/2	10	34.1	30	106	4.0	55	4.9
	RVC-1048E	61 - 83	1,075	960	200	92%	0.53	1 @ 1/2	10	34.1	28	117	4.5	90	
	RVC-2072E	84 - 108	1,075	960	200	92%	1.02	2 @ 1/2	20	68.3	30	190	5.5	120	
	RVC-3096E	109 - 144	1,075	960	200	92%	1.50	3 @ 1/2	30	102.4	31	258	6.5	165	

MODEL	Plenum Arc Length (inches)	Max Vel. at Nozzle (fpm)	Linear ft. Plenum Arc		Outlet Vel. Uniformity	Power Rating (kW)	Motor(s) @ HP	Coil Output (MBH)	Inlet Pressure (PSIG)	Condensate (lbs./hr.)	Air Temp. Rise (°F)	Air Curtain Weight (lbs.)	* Individual Weights			
			Avg. Out. Vel. (fpm)	Air Volume (cfm)									** Discharge Plenum		*** Transition Plenum Weight (lbs./sqft.)	
													Plenum Height W x H / 144 x Multiplier (lbs./sqft.)	Special Weight Adder (lbs.)		
STEAM	RVC-1036S	36 - 60	1,075	960	200	92%	0.51	1 @ 1/2	49.50	5	51.0	44	140	4.0	55	4.9
	RVC-1048S	61 - 83	1,075	960	200	92%	0.53	1 @ 1/2	57.20	5	58.9	48	160	4.5	90	
	RVC-2072S	84 - 108	1,075	960	200	92%	1.02	2 @ 1/2	99.00	5	102.1	44	240	5.5	120	
	RVC-3096S	109 - 144	1,075	960	200	92%	1.50	3 @ 1/2	141.70	5	146.0	42	319	6.5	165	

MODEL	Plenum Arc Length (inches)	Max Vel. at Nozzle (fpm)	Linear ft. Plenum Arc		Outlet Vel. Uniformity	Power Rating (kW)	Motor(s) @ HP	Coil Output (MBH)	Entering / Leaving Water Temp. (°F)	Water Flow (GPM)	Fluid Pressure Drop (FT. WG.)	Air Temp. Rise (°F)	Air Curtain Weight (lbs.)	* Individual Weights			
			Avg. Out. Vel. (fpm)	Air Volume (cfm)										** Discharge Plenum		*** Transition Plenum Weight (lbs./sqft.)	
														Plenum Height W x H / 144 x Multiplier (lbs./sqft.)	Special Weight Adder (lbs.)		
HOT WATER	RVC-1036W	36 - 60	1,075	960	200	92%	0.51	1 @ 1/2	46.00	180 / 164	6	0.9	40	140	4.0	55	4.9
	RVC-1048W	61 - 83	1,075	960	200	92%	0.53	1 @ 1/2	51.20	180 / 159	5	0.7	43	160	4.5	90	
	RVC-2072W	84 - 108	1,075	960	200	92%	1.02	2 @ 1/2	94.80	180 / 161	10	2.7	42	240	5.5	120	
	RVC-3096W	109 - 144	1,075	960	200	92%	1.50	3 @ 1/2	138.10	180 / 160	14	5.6	41	319	6.5	165	



* APPROXIMATE WEIGHT: BASED ON (DOOR ARC OPENING PLUS 4") FOR ESTIMATE ONLY. ACTUAL WEIGHT BASED ON DOOR RAD, UNIT LOCATION, DESIGN AND PLENUM HEIGHT.

** DISCHARGE PLENUM WEIGHT: PLENUM FACE AREA SQFT, MULTIPLIER AND WGT. ADDER (W x H / 144) * MULTIPLIER + SPECIAL ADDER = ESTIMATED WEIGHT IN LBS.

W = (DOOR ARC OPENING PLUS 4")
H = DOOR CANOPY PLUS 7" FOR EXPOSED OR PLUS 20" FOR CONCEALED

*** TRANSITION WEIGHT: TRANSITION SQFT. X MULTIPLIER.
(W x D / 144) * 4.9 = ESTIMATED WEIGHT IN LBS.

W = (UNIT WIDTH)
D = TRANSITION DEPTH (MIN. 8")



www.berner.com
111 Progress Avenue
New Castle, PA 16101
800-245-4455 724-658-3551

