



PASS-THRU UNIT 6 - Model# PE06

Ambient (Unheated) Air Curtain

Data Sheet

For Mounting Heights To 6' (environmental separation & insect control)

STANDARD CONSTRUCTION

- 8½" high x 8½" deep
- 1/5 hp variable speed motor(s)
- Remote mounted rheostat variable speed switch – order separately
- White or black powder coated exterior
(Optional: Custom Color or Stainless)
- Wall & Top Mounting
- Optional: Filter (washable)

5 Year
Limited
Warranty



for outdoor use

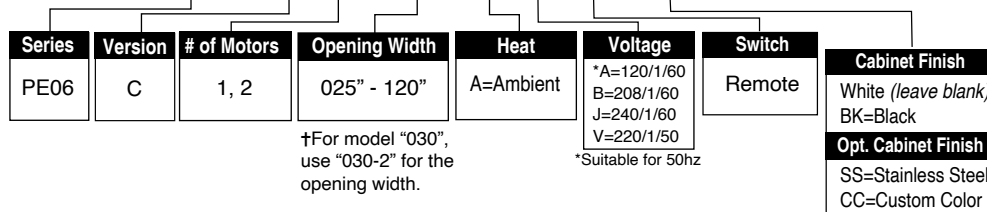
MODEL	Nozzle Width (in)	Avg. Outlet Vel. (fpm)	Air Volume (cfm)	Outlet Vel. Uniformity	Power Rating (kW)	Motor(s) @ hp	Net Wt. (lbs)
PE06-C-1025A	23.60	1,147	446	79%	0.32	1 @ 1/5	30
†PE06-C-1030-2A	27.50	1,356	615	82%	0.32	1 @ 1/5	33
PE06-C-1036A	34.62	1,563	893	82%	0.32	1 @ 1/5	35
PE06-C-1042A	40.62	1,552	1,040	83%	0.32	1 @ 1/5	38
PE06-C-1048A	46.62	1,548	1,190	84%	0.32	1 @ 1/5	42
PE06-C-1060A	58.13	1,512	1,449	84%	0.32	1 @ 1/5	49
PE06-C-1072A	71.37	1,510	1,777	86%	0.32	1 @ 1/5	56
PE06-C-2084A	83.50	1,510	2,079	83%	0.64	2 @ 1/5	76
PE06-C-2096A	95.50	1,511	2,380	84%	0.64	2 @ 1/5	84
PE06-C-2108A	107.00	1,496	2,639	84%	0.64	2 @ 1/5	91
PE06-C-2120A	118.50	1,483	2,898	84%	0.64	2 @ 1/5	98

NOTE: Operation at 50 Hz will generate approximately a 17% reduction in air performance.

See sheet EP-014 for amp draws/total load requirements.

MODEL NUMBER CONFIGURATION

PE06-C-1 025 A A-R-SS



†For model "030", use "030-2" for the opening width.

*Suitable for 50hz

for Standard offering, leave options (Opt.) blank
make sure to specify Cabinet Finish if other than white

VELOCITY PROFILE: Model PE06-C-1036A

Distance from Nozzle (in)	24	48	72
Core Velocity (fpm)	1738	1231	967
Uniformity (%)	82	82	84

A velocity of 600 feet per minute (fpm) at the counter required to meet NSF 37 for pass-thru windows.

Sound level measured 10' (3m) from the unit in free field:

1 motor: Low/High Speed: 53/54 dBA

2 motors: Low/High Speed: 56/57 dBA

Berner reserves the right to alter specifications without prior notice.

www.berner.com **Berner International** 800.245.4455
111 Progress Ave. / New Castle / PA / 16101 / USA

DS-014
February, 2023

©Copyright, 2023 Berner International



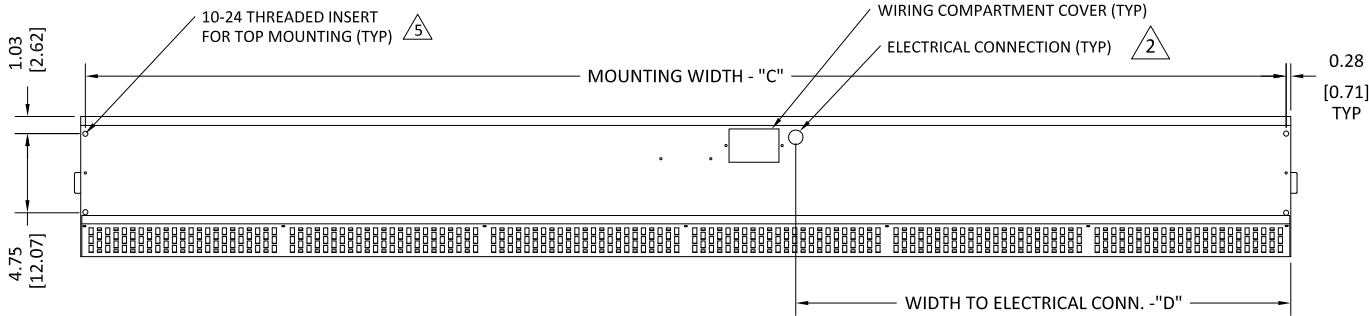
PASS-THRU UNIT 6 - Model# PE06
Ambient (Unheated) Air Curtain
Electrical Performance Sheet

MODEL	120/1/60 (voltage code A) MOTOR AMP DRAW = 3.4 each			208/1/60 (voltage code B) MOTOR AMP DRAW = 1.7 each			240/1/60 (voltage code J) or 220/1/50 (voltage code V) MOTOR AMP DRAW = 1.7 each		
	# CKTS	AMPS PER CIRCUIT	BREAKER RATING PER CIRCUIT	# CKTS	AMPS PER CIRCUIT	BREAKER RATING PER CIRCUIT	# CKTS	AMPS PER CIRCUIT	BREAKER RATING PER CIRCUIT
PE06-C-1025A PE06-C-1030-2A PE06-C-1036A PE06-C-1042A PE06-C-1048A PE06-C-1060A PE06-C-1072A	1	3.4	15	1	1.7	15	1	1.7	15
PE06-C-2084A PE06-C-2096A PE06-C-2108A PE06-C-2120A	1	6.8	15	1	3.4	15	1	3.4	15

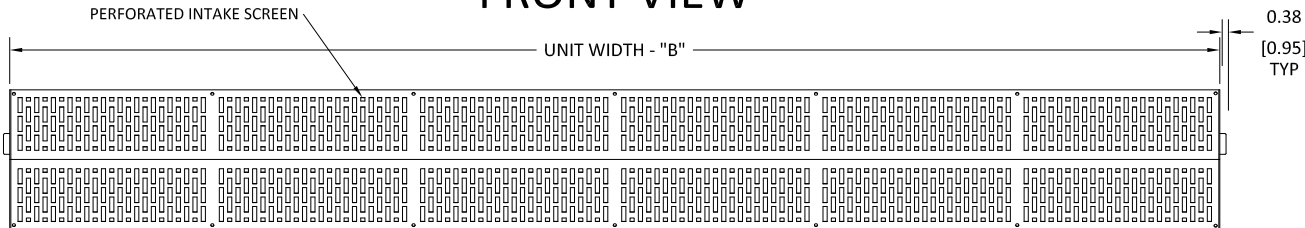
Berner reserves the right to alter specifications without prior notice.

PE06-C AMBIENT (UNHEATED) SYSTEM

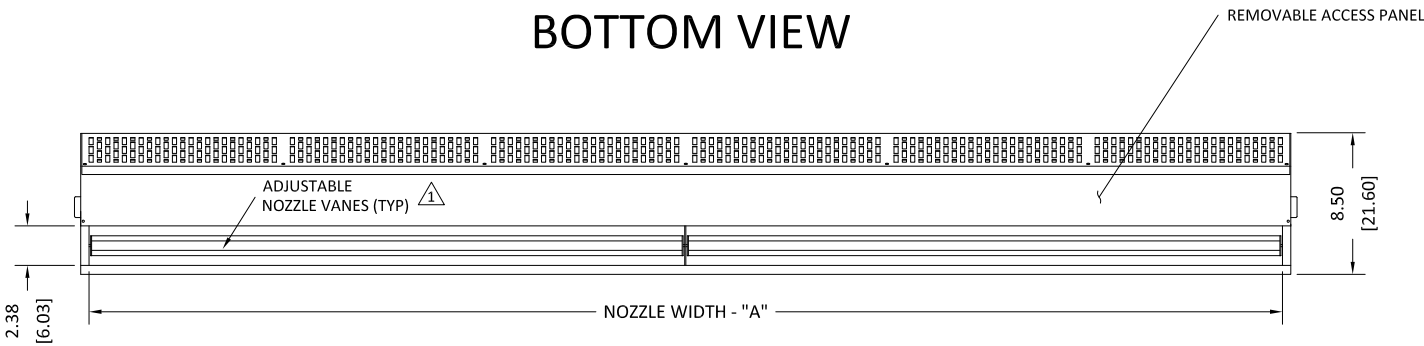
TOP VIEW



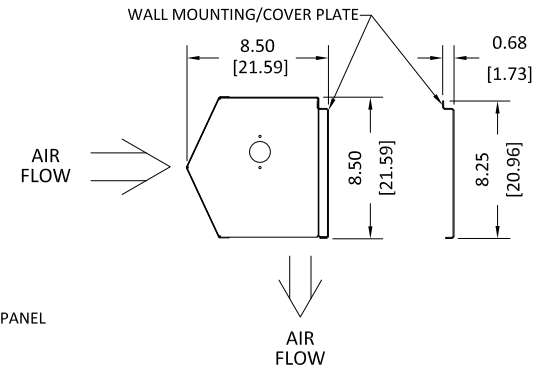
FRONT VIEW



BOTTOM VIEW



END VIEW



NOTES:

- 1 AIR CURTAIN MUST BE INSTALLED SO AIR STREAM IS NOT OBSTRUCTED WHEN DEFLECTED 20° TO EITHER SIDE OF \bar{C} .
- 2 ELECTRICAL CONNECTIONS TO BE FLEXIBLE.
- 3 FIELD VERIFY DIMENSIONS.
- 4 ANCHORS TO SUPPORTING STRUCTURE BY OTHERS.
- 5 ADEQUACY OF SUPPORTING STRUCTURE IS TO BE VERIFIED BY A PROFESSIONAL STRUCTURAL ENGINEER.
- 6 LETTER "A" IN MODEL NUMBER DESIGNATES AMBIENT (UNHEATED) UNIT.
- 7 DIMENSIONS IN INCHES [CENTIMETERS].

MODEL ⁶	NOZZLE WIDTH "A"	UNIT WIDTH "B"	MOUNTING WIDTH "C"	WIDTH TO ELEC. CONN. "D"
PE06-C-1025A	23.62 [59.99]	25.06 [63.65]	24.50 [62.23]	3.89 [9.88]
PE06-C-1030-2A	28.62 [72.69]	30.06 [76.35]	29.50 [74.93]	6.38 [16.20]
PE06-C-1036A	34.62 [87.95]	36.06 [91.60]	35.50 [90.17]	9.40 [23.88]
PE06-C-1042A	40.62 [103.17]	42.06 [106.83]	41.50 [105.41]	15.40 [39.12]
PE06-C-1048A	46.62 [118.41]	48.06 [122.07]	47.50 [120.65]	15.40 [39.12]
PE06-C-1060A	58.13 [147.65]	59.55 [151.26]	59.00 [149.86]	21.15 [53.71]
PE06-C-1072A	71.37 [181.28]	72.81 [184.94]	72.25 [183.52]	27.77 [70.54]
PE06-C-2084A	83.50 [212.09]	84.94 [215.74]	84.38 [214.31]	9.40 [23.86]
PE06-C-2096A	95.50 [242.57]	96.94 [246.23]	96.38 [244.79]	15.19 [38.58]
PE06-C-2108A	107.00 [271.78]	108.44 [275.44]	107.88 [274.00]	15.40 [39.12]
PE06-C-2120A	118.50 [300.99]	119.94 [304.65]	119.38 [303.21]	21.15 [53.72]

PROJECT		TITLE:	BERNER MODEL PE06-C AIR CURTAIN AMBIENT (UNHEATED) SYSTEM (OUTDOOR)
LOCATION			
ARCHITECT			
ENGINEER			
DWG. NO.	PE06-C-A		
DATE	14FEB2023		
BY	S. Beil		
REPLACES	11AUG2021		
BY	S. Beil		

BERNER INTERNATIONAL CORP.
NEW CASTLE, PA.