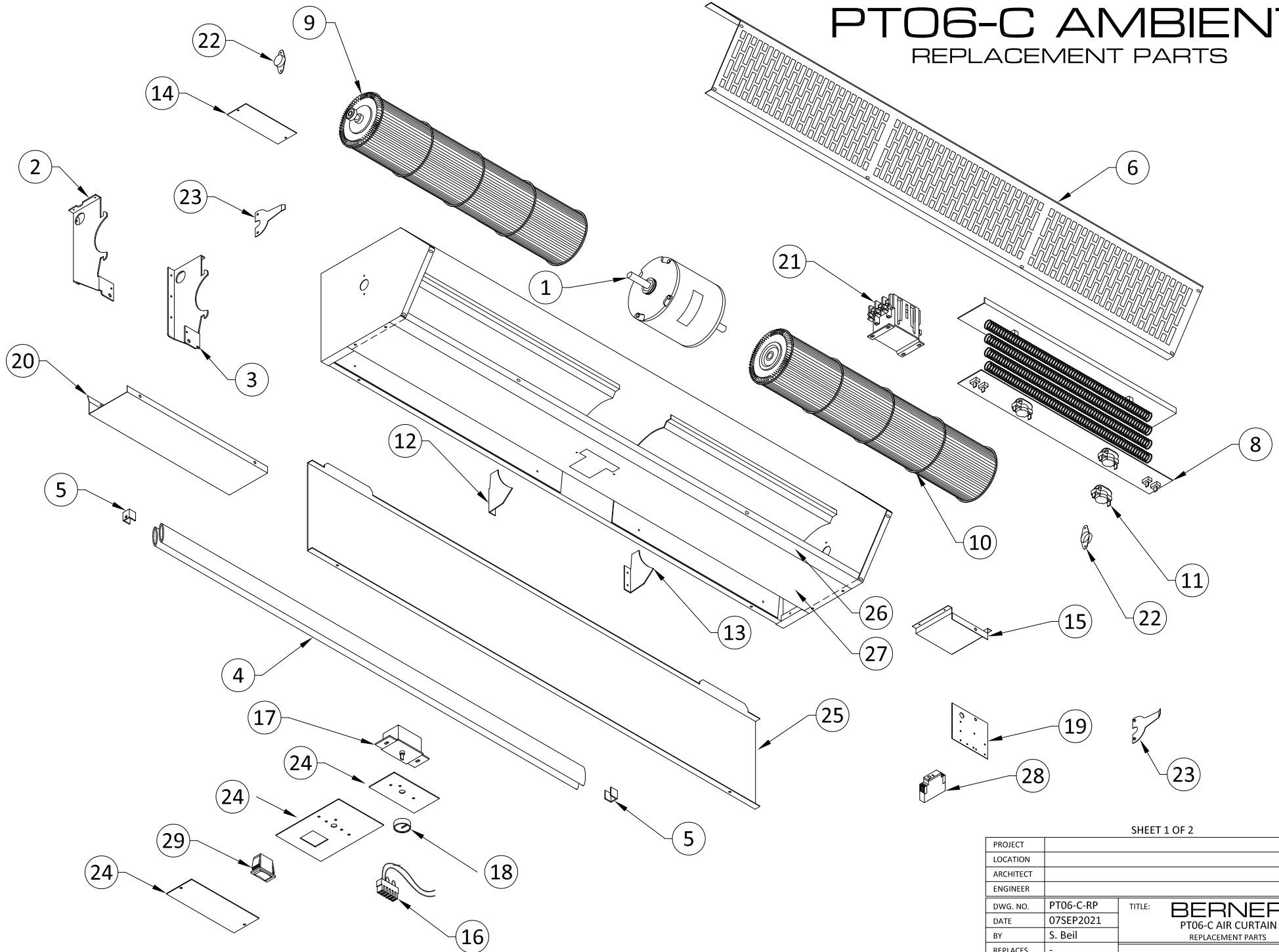


# PT06-C AMBIENT

## REPLACEMENT PARTS



SHEET 1 OF 2

PROJECT		
LOCATION		
ARCHITECT		
ENGINEER		REV. -
DWG. NO.	PT06-C-RP	TITLE: <b>BERNER</b>
DATE	07SEP2021	PT06-C AIR CURTAIN
BY	S. Beil	REPLACEMENT PARTS
REPLACES	-	BERNER INTERNATIONAL CORP. NEW CASTLE, PA.
BY	-	

# PT06-C AMBIENT REPLACEMENT PARTS

ITEM	DESCRIPTION	PART #
1	MOTOR, 1/5 HP, (120-208/240V, 1PH)	011F5042F1X18C
2	MOTOR BASE LEFT BRACKET - STANDARD	40EZ012MMC-1F5-L
2	MOTOR BASE LEFT BRACKET - STAINLESS STEEL	40EZ012MMC-1F5-L-SS
3	MOTOR BASE RIGHT BRACKET - STANDARD	40EZ012MMC-1F5-R
3	MOTOR BASE RIGHT BRACKET - STAINLESS STEEL	40EZ012MMC-1F5-R-SS
4	NOZZLE VANE (specify vane length - inches)	06ALM516ARF-121
5	NOZZLE VANE CLIP	40GEN-NVC-0875
6	INLET SCREEN - STANDARD (specify length - inches)	40EZN***IS
6	INLET SCREEN - STAINLESS STEEL (specify length - inches)	40EZN***IS-SS
8	ELEC. HEATER ASSM - 8.5", 2.6 KW (208V/104V)	11ZPR008B026D
8	ELEC. HEATER ASSM - 8.5", 2.6 KW (240V/120V)	11ZPR008B026E
8	ELEC. HEATER ASSM - 8.5", 2.6 KW (480V/139V)	11ZPR008B026H
8	ELEC. HEATER ASSM - 8.5", 2.6 KW (575V/167V)	11ZPR008B026I
8	ELEC. HEATER ASSM - 14", 2.0 KW (575V)	11ZPR014B020I
8	ELEC. HEATER ASSM - 14", 2.8 KW (575V)	11ZPR014B028I
8	ELEC. HEATER ASSM - 14", 3.75 KW (575V)	11ZPR014B037I
8	ELEC. HEATER ASSM - 14", 5.0 KW (208V)	11ZPR014B050D
8	ELEC. HEATER ASSM - 14", 5.0 KW (240V)	11ZPR014B050E
8	ELEC. HEATER ASSM - 14", 5.0 KW (480V)	11ZPR014B050H
8	ELEC. HEATER ASSM - 14", 5.0 KW (600V)	11ZPR014B050I
8	ELEC. HEATER ASSM - 20", 2.8 KW (600V)	11ZPR020B028I
8	ELEC. HEATER ASSM - 20", 4.05 KW (600V)	11ZPR020B040I
8	ELEC. HEATER ASSM - 20", 5.4 KW (600V)	11ZPR020B054I
8	ELEC. HEATER ASSM - 20", 7.2 KW (208V)	11ZPR020B072D
8	ELEC. HEATER ASSM - 20", 7.2 KW (240V)	11ZPR020B072E
8	ELEC. HEATER ASSM - 20", 7.2 KW (480V)	11ZPR020B072H
8	ELEC. HEATER ASSM - 20", 7.2 KW (600V)	11ZPR020B072I
9	BLOWER WHEEL - LEFT HAND (specify length - inches)	29T450S012A-L**
10	BLOWER WHEEL - RIGHT HAND (specify length - inches)	29T450S012A-R**
11	THERMAL CUT OUT	36A145-105-90
12	LEFT DIVERTER	40ZPR000D-L
13	RIGHT DIVERTER	40ZPR000D-R
14	WIRING COMPARTMENT COVER - STANDARD	40EZN000WC-C
14	WIRING COMPARTMENT COVER - STAINLESS STEEL	40EZN000WC-C-SS
15	WIRING CHANNEL - STANDARD	40EZ000WC
15	WIRING CHANNEL - STAINLESS STEEL	40EZ000WC-SS
16	MOTOR WIRING HARNESS, 1/5 HP, 120V	505WH115LWA
16	MOTOR WIRING HARNESS, 1/5 HP, 208/240V	505WH230LWA
17	RHEOSTAT SWITCH - UNIT MOUNT, VAR-6A, (120V)	33V006S-DS-A
17	RHEOSTAT SWITCH - UNIT MOUNT, VAR-5A, (208/240V)	33V005S-DS-B
18	RHEOSTAT SWITCH KNOB	33V000K
19	CONTACTOR MOUNTING PLATE, MAIN - STANDARD	40EZ000CMP-M
19	CONTACTOR MOUNTING PLATE, MAIN - STAINLESS STEEL	40EZ000CMP-M-SS
20	CONTACTOR MOUNTING PLATE, HI VOLT SPD - STANDARD	40EZ000CMP-Z
20	CONTACTOR MOUNTING PLATE, HI VOLT SPD - STAINLESS STEEL	40EZ000CMP-Z-SS
21	HEATER RELAY (specify motor voltage)	9010DP40A3P***
22	BEARING CUP	CONSULT FACTORY
23	BEARING RETAINER - STANDARD	40EZN000BR-U
23	BEARING RETAINER - STAINLESS STEEL	40EZN000BR-U-SS
24	BERNER RHEOSTAT SWITCH NAME PLATE - ELECTRIC HEATED	55QSVELE-V
24	BERNER RHEOSTAT SWITCH NAME PLATE - UNHEATED	55QSVAMB-V
24	BERNER NAME PLATE (NO SWITCHES)	55BERN-4X5
25	WALL MOUNTING PLATE - STANDARD (specify length - inches)	40EZN***WMP
25	WALL MOUNTING PLATE - STAINLESS STEEL (specify length - inches)	40EZN***WMP-SS
26	BOTTOM ACCESS COVER - STANDARD (specify length - inches)	40EZ***BAC
26	BOTTOM ACCESS COVER - STAINLESS STEEL (specify length - inches)	40EZ***BAC-SS
27	BOTTOM TRANSVERSE - STANDARD (specify length - inches)	40EZ***TR
27	BOTTOM TRANSVERSE - STAINLESS STEEL (specify length - inches)	40EZ***TR-SS
28	TIME DELAY (24V TO 250V)	9009KOL312
29	ROCKER SWITCH, SNGL-20A, BEZEL MNT, DPST, (HEAT ON/OFF)	33A020B-DS
-	MOTOR RELAY 20 AMP 2 POLE, (specify motor voltage) (NOT SHOWN)	9010DP20A2P***
-	ICE CUBE RELAY 10 AMP 2 POLE, (specify control voltage) (NOT SHOWN)	9010GP10ADD***-08-SQ
-	TRANSFORMER 120/208/240/480 - 24V (NOT SHOWN)	9003050G-24

\*\* SPECIFY FAN LENGTH (IN INCHES)  
 \*\*\* SPECIFY UNIT LENGTH (IN INCHES)  
 \*\*\* SPECIFY UNIT MOTOR VOLTAGE

SHEET 2 OF 2

PROJECT			
LOCATION			
ARCHITECT			
ENGINEER		REV.	-
DWG. NO.	PT06-C-RP	TITLE:	<b>BERNER</b> PT06-C AIR CURTAIN REPLACEMENT PARTS
DATE	07SEP2021		
BY	S. Beil		
REPLACES	-		
BY	-	BERNER INTERNATIONAL CORP. NEW CASTLE, PA.	