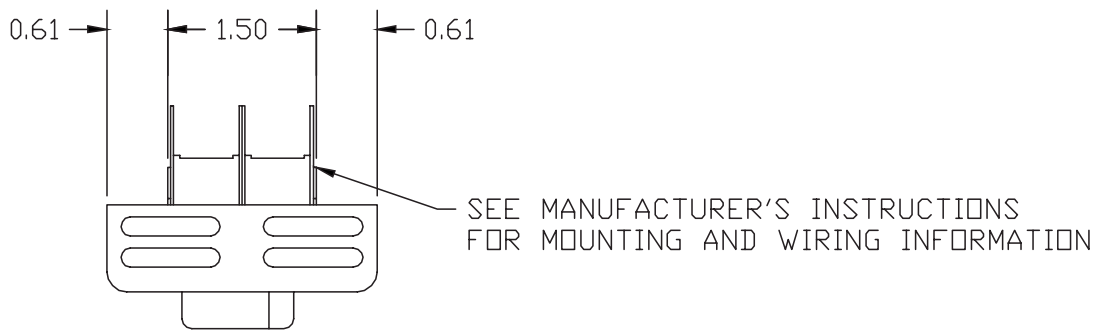


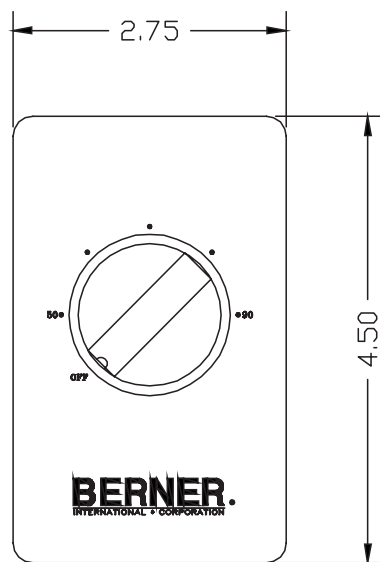
- Agency Approvals: UL, CSA
- Max Electrical Power Supply – Volt/Phase: 24-277 VAC
- Electrical Connection Recommendation: Screw Terminals
- Max Electrical Rating: 22 amps
- Housing Material: Steel and Plastic
- Housing Color: White
- Component Weight: 0.52 lbs.

Tag	
Air Curtain Model	
Quantity	

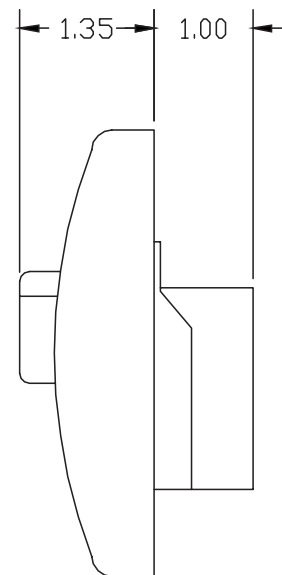
- Field Installed and Wired
- Factory Mounted



TOP VIEW



FRONT VIEW



END VIEW

Berner reserves the right to alter specifications without prior notice.