



INDUSTRIAL WASHDOWN DUTY 20

Ambient (Unheated) Air Curtain

Data Sheet

For Mounting Heights To 20' (environmental separation) and 18' (insect control)

STANDARD CONSTRUCTION

- Single speed washdown duty totally enclosed motor(s)
- Stainless steel cabinet with stainless steel inlet screen & access panels
- Stainless steel blower wheels & housings
- Front air intake
- High efficiency Pro-V Nozzle

**5 Year
Limited
Warranty**



MODEL	Nozzle Width (in)	Max Vel. at Nozzle (fpm)	Avg. Outlet Vel. (fpm)	Air Volume (cfm)	Outlet Vel. Uniformity	Power Rating (kW)	Motor(s) @ hp	Net Wt. (lbs)
WD20-C-1060A	60.00	6,580	3,870	6,854	89%	4.70	1 @ 5	390
WD20-C-1072A	72.00	6,549	3,852	8,186	89%	4.90	1 @ 5	435
WD20-C-1084A	84.00	6,076	3,574	8,861	87%	4.90	1 @ 5	480
WD20-C-1096A	96.00	6,900	4,059	11,500	92%	6.80	1 @ 7½	600
WD20-C-1108A	108.00	6,747	3,969	12,650	90%	6.90	1 @ 7½	680
WD20-C-1120A	117.00	7,494	4,523	15,612	88%	8.70	1 @ 10	750
WD20-C-1132A	132.00	7,017	4,127	16,080	87%	8.90	1 @ 10	795
WD20-C-1144A	144.00	7,640	4,381	19,100	87%	11.70	1 @ 15	835
WD20-C-1156A	156.00	7,405	4,356	20,055	86%	11.90	1 @ 15	940
WD20-C-1168A	168.00	7,783	4,323	22,700	90%	12.80	1 @ 15	1,025
WD20-C-1180A	180.00	7,300	4,294	22,814	91%	12.90	1 @ 15	1,070
WD20-C-2192A	192.00	6,900	4,059	23,000	92%	13.60	2 @ 7½	1,190

NOTES:

1. Operation at 50 Hz will generate approximately a 17% reduction in air performance.
2. Consult factory for vertically mounted units.

See sheet EP-440-WD for amp draws/total load requirements.

MODEL NUMBER CONFIGURATION

WD20-C-1 060 A D-F-SS

Series	# of Motors	Opening Width	Heat	Voltage	Intake	Cabinet Finish
WD20-C	1, 2	060" - 192"	A=Ambient	D=208/3/60 E=240/3/60 H=480/3/60 I=600/3/60 T=380/3/50	F=Front	SS=Stainless Steel

VELOCITY PROFILE: Model WD20-C-1060A

Distance from Nozzle (in)	40	80	120	160	200
Core Velocity (fpm)	6480	4600	3507	3213	2947
Uniformity (%)	88	89	90	91	92

Berner reserves the right to alter specifications without prior notice.

www.berner.com Berner International 800.245.4455
111 Progress Ave. / New Castle / PA / 16101 / USA

DS-440-WD
February, 2021



INDUSTRIAL WASHDOWN-DUTY 20

Ambient (Unheated) Air Curtain
Electrical Performance Sheet

MODEL	Qty @ HP	208/3/60 (voltage code D) TOTAL MOTOR AMP DRAW			240/3/60 (voltage code E) TOTAL MOTOR AMP DRAW			480/3/60 (voltage code H) TOTAL MOTOR AMP DRAW		
		# CKTS	AMPS PER CIRCUIT	BREAKER RATING PER CIRCUIT	# CKTS	AMPS PER CIRCUIT	BREAKER RATING PER CIRCUIT	# CKTS	AMPS PER CIRCUIT	BREAKER RATING PER CIRCUIT
WD20-C-1060A WD20-C-1072A WD20-C-1084A	1 @ 5	1	17.0	35	1	15.8	35	1	7.9	20
WD20-C-1096A WD20-C-1108A	1 @ 7.5	1	23.0	50	1	22.0	45	1	11.0	25
WD20-C-1120A WD20-C-1132A	1 @ 10	1	31.5	60	1	30.6	60	1	15.3	30
WD20-C-1144A WD20-C-1156A WD20-C-1168A WD20-C-1180A	1 @ 15	1	46.0	100	1	44.0	100	1	22.0	45
WD20-C-2192A	2 @ 7.5	1	46.0	70	1	44.0	70	1	22.0	35

Berner reserves the right to alter specifications without prior notice.

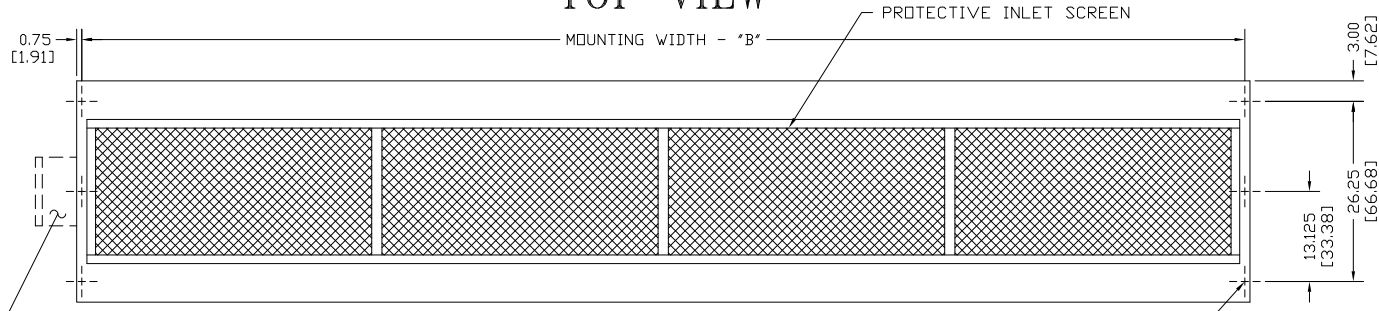


INDUSTRIAL WASHDOWN-DUTY 20
Ambient (Unheated) Air Curtain
Electrical Performance Sheet

MODEL	Qty @ HP	# CKTS	600/3/60 (voltage code I) TOTAL MOTOR AMP DRAW		# CKTS	380/3/50 (voltage code T) TOTAL MOTOR AMP DRAW	
			AMPS PER CIRCUIT	BREAKER RATING PER CIRCUIT		AMPS PER CIRCUIT	BREAKER RATING PER CIRCUIT
WD20-C-1060A WD20-C-1072A WD20-C-1084A	1 @ 5	1	6.3	15	1	7.7	20
WD20-C-1096A WD20-C-1108A	1 @ 7.5	1	8.5	20	1	9.0	20
WD20-C-1120A WD20-C-1132A	1 @ 10	1	11.7	25	1	12.5	25
WD20-C-1144A WD20-C-1156A WD20-C-1168A WD20-C-1180A	1 @ 15	1	17.5	35	1	18.0	40
WD20-C-2192A	2 @ 7.5	1	17.0	30	1	18.0	30

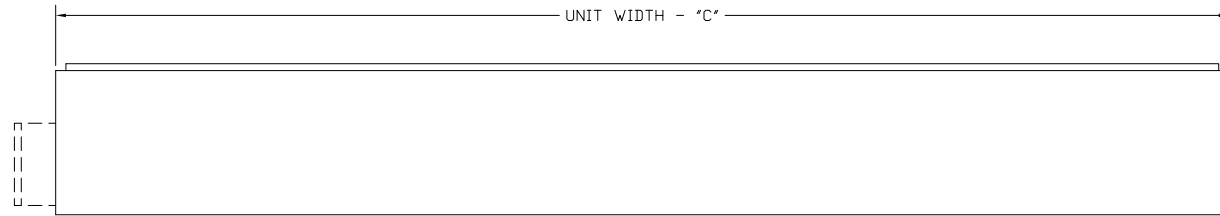
Berner reserves the right to alter specifications without prior notice.

TOP VIEW

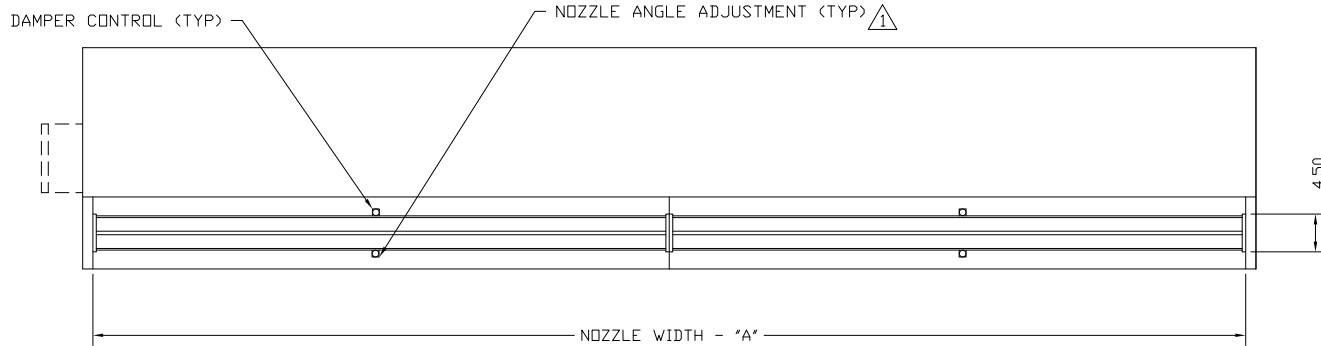


FRONT VIEW

Ø 0.50 [1.27] MOUNTING HOLES (TYP)

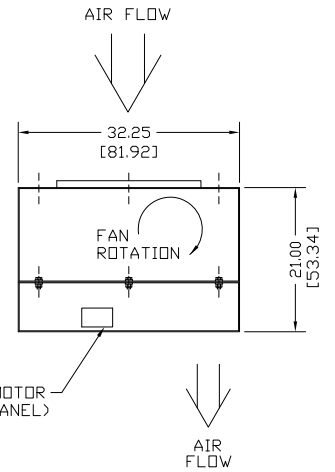


BOTTOM VIEW



WD20-C AMBIENT SYSTEM TOP INTAKE

END VIEW



ONE JUNCTION BOX PER MOTOR
(REQUIRED FOR REMOTE PANEL)
2.75 x 4.50 x 2.00
[6.99 x 11.43 x 5.08]

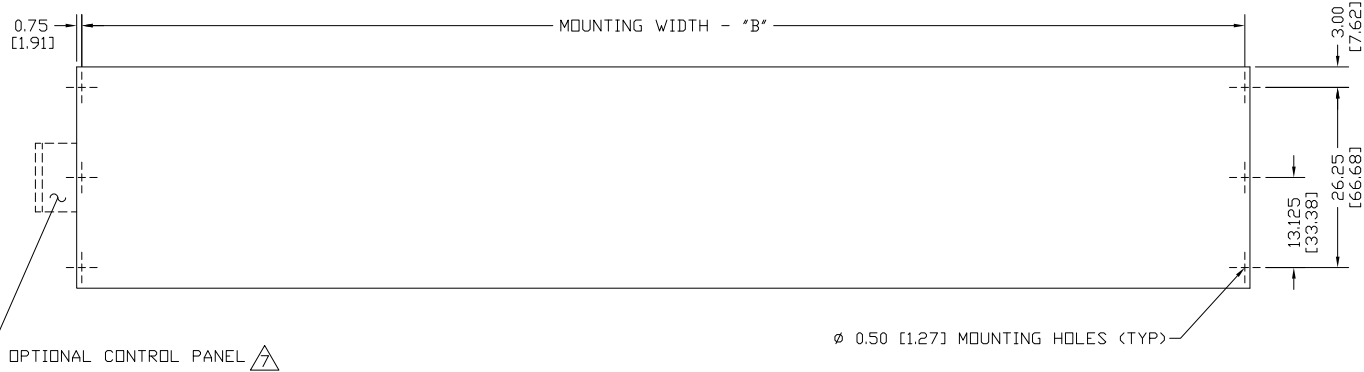
NOTES:

- ① AIR CURTAIN MUST BE INSTALLED SO AIR STREAM IS NOT OBSTRUCTED WHEN DEFLECTED 20° TO EITHER SIDE OF C.
- ② ELECTRICAL CONNECTIONS TO BE FLEXIBLE.
- ③ FIELD VERIFY DIMENSIONS.
- ④ ANCHORS TO SUPPORTING STRUCTURE BY OTHERS.
- ⑤ ADEQUACY OF SUPPORTING STRUCTURE IS TO BE VERIFIED BY A PROFESSIONAL STRUCTURAL ENGINEER.
- ⑥ LETTER "A" IN MODEL NUMBER DESIGNATES, AN AMBIENT UNIT. THE "T" DESIGNATES TOP INTAKE.
- ⑦ OPTIONAL CONTROL PANEL AVAILABLE: LEFT HAND MOUNT, RIGHT HAND MOUNT, OR REMOTE. PLEASE SPECIFY.
- ⑧ DIMENSIONS IN INCHES [CENTIMETERS].

MODEL ⑥	NOZZLE WIDTH "A"	MOUNTING WIDTH "B"	UNIT WIDTH "C"
WD20-C-1060A-T	60.00 [152.40]	61.50 [156.21]	63.00 [160.02]
WD20-C-1072A-T	72.00 [182.88]	73.50 [186.69]	75.00 [190.50]
WD20-C-1084A-T	84.00 [213.36]	85.50 [217.17]	87.00 [220.98]
WD20-C-1096A-T	96.00 [243.84]	97.50 [247.65]	99.00 [251.46]
WD20-C-1108A-T	108.00 [274.32]	109.50 [278.13]	111.00 [281.94]
WD20-C-1120A-T	117.00 [297.18]	118.50 [300.99]	120.00 [304.80]
WD20-C-1132A-T	132.00 [335.28]	133.50 [339.09]	135.00 [342.90]
WD20-C-1144A-T	144.00 [365.76]	145.50 [369.57]	147.00 [373.38]
WD20-C-1156A-T	156.00 [396.24]	157.50 [400.05]	159.00 [403.86]
WD20-C-1168A-T	168.00 [426.72]	169.50 [430.53]	171.00 [434.34]
WD20-C-1180A-T	180.00 [457.20]	181.50 [461.01]	183.00 [464.82]
WD20-C-2192A-T	192.00 [487.68]	193.50 [491.49]	195.00 [495.30]

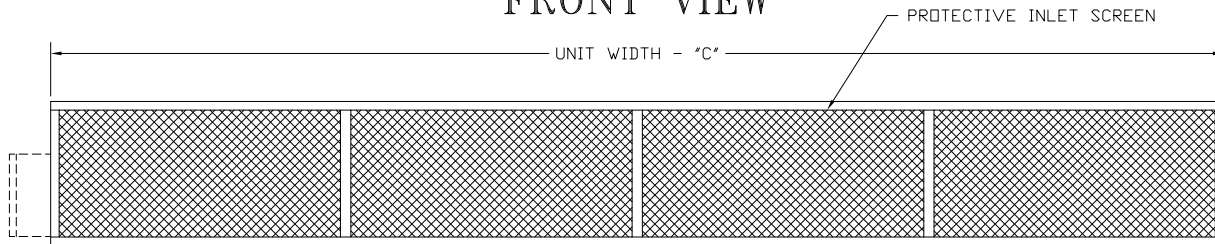
PROJECT		
LOCATION		
ARCHITECT		
ENGINEER		
DWG. NO.	WD20-C-AMBI	TITLE: BERNER
DATE	21JAN2021	MODEL WD20-C AIR CURTAIN
BY	S. Beil	WASHDOWN DUTY TOP INTAKE AMBIENT SYSTEM
REPLACES	-	
BY	-	BERNER INTERNATIONAL CORP. NEW CASTLE, PA.

TOP VIEW

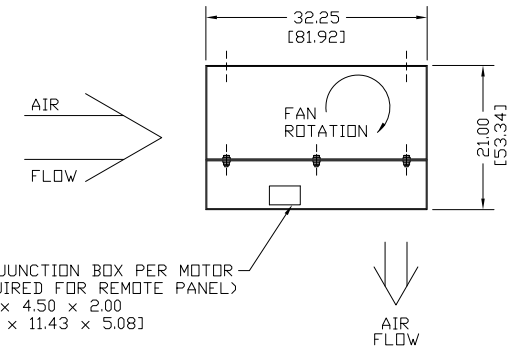


WD20-C AMBIENT SYSTEM FRONT INTAKE

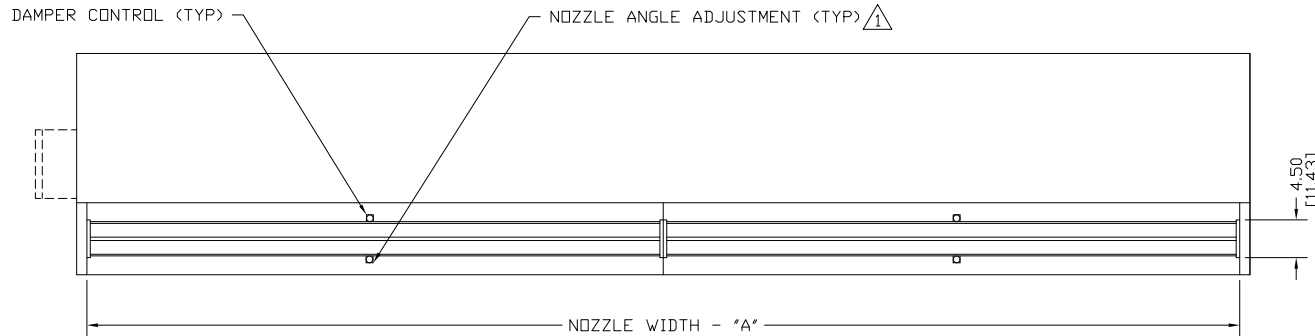
FRONT VIEW



END VIEW



BOTTOM VIEW



NOTES:

- \triangle AIR CURTAIN MUST BE INSTALLED SO AIR STREAM IS NOT OBSTRUCTED WHEN DEFLECTED 20° TO EITHER SIDE OF \square .
- \triangle ELECTRICAL CONNECTIONS TO BE FLEXIBLE.
- \triangle FIELD VERIFY DIMENSIONS.
- \triangle ANCHORS TO SUPPORTING STRUCTURE BY OTHERS.
- \triangle ADEQUACY OF SUPPORTING STRUCTURE IS TO BE VERIFIED BY A PROFESSIONAL STRUCTURAL ENGINEER.
- \triangle LETTER "A" IN MODEL NUMBER DESIGNATES, AN AMBIENT UNIT. THE "F" DESIGNATES FRONT INTAKE.
- \triangle OPTIONAL CONTROL PANEL AVAILABLE: LEFT HAND MOUNT, RIGHT HAND MOUNT, OR REMOTE. PLEASE SPECIFY.
- \triangle DIMENSIONS IN INCHES [CENTIMETERS].

MODEL \triangle	NOZZLE WIDTH "A"	MOUNTING WIDTH "B"	UNIT WIDTH "C"
WD20-C-1060A-F	60.00 [152.40]	61.50 [156.21]	63.00 [160.02]
WD20-C-1072A-F	72.00 [182.88]	73.50 [186.69]	75.00 [190.50]
WD20-C-1084A-F	84.00 [213.36]	85.50 [217.17]	87.00 [220.98]
WD20-C-1096A-F	96.00 [243.84]	97.50 [247.65]	99.00 [251.46]
WD20-C-1108A-F	108.00 [274.32]	109.50 [278.13]	111.00 [281.94]
WD20-C-1120A-F	117.00 [297.18]	118.50 [300.99]	120.00 [304.80]
WD20-C-1132A-F	132.00 [335.28]	133.50 [339.09]	135.00 [342.90]
WD20-C-1144A-F	144.00 [365.76]	145.50 [369.57]	147.00 [373.38]
WD20-C-1156A-F	156.00 [396.24]	157.50 [400.05]	159.00 [403.86]
WD20-C-1168A-F	168.00 [426.72]	169.50 [430.53]	171.00 [434.34]
WD20-C-1180A-F	180.00 [457.20]	181.50 [461.01]	183.00 [464.82]
WD20-C-2192A-F	192.00 [487.68]	193.50 [491.49]	195.00 [495.30]

PROJECT		
LOCATION		
ARCHITECT		
ENGINEER		
DWG. NO.	WD20-C-AMB2	TITLE: BERNER
DATE	21JAN2021	MODEL WD20-C AIR CURTAIN
BY	S. Beil	WASHDOWN DUTY FRONT INTAKE AMBIENT SYSTEM
REPLACES	-	
BY	-	BERNER INTERNATIONAL CORP. NEW CASTLE, PA.