

Recommended for Mounting Heights to 8' (environmental separation) and 7' (insect control)

STANDARD CONSTRUCTION

- 11" high x 23" deep
- 1/5 hp EC motor(s)
- Intelliswitch™ digital controller - ten speeds
- Berner AIR™ (smart controller & app) includes BACnet
- Cabinet: Brushed Stainless Steel, Grade 304 or better
- Bottom Panel: Clear satin anodized aluminum
(Optional: White Aluminum, Custom Color or Stainless)
- Wall or Top Mounting
- High efficiency, low noise, articulating Pro-V Nozzle
- Filter (washable)
- Optional: Rear cover for top mounting to conceal fasteners

Energy Codes ASHRAE 90.1-2019, IECC 2018, and ASHRAE 189.1 vestibule exception validated by AMCA certification.
Refer to Velocity Projection Chart below for information.



Berner International certifies that the air curtains shown here in are licensed to bear the AMCA Seal. The ratings shown are based on tests and procedures performed in accordance with AMCA Publication 211 and comply with the requirements of the AMCA Certified Ratings Program. Rated data shown is for base (unheated) units. The AMCA Certified Ratings Seal applies to airflow rate, average outlet velocity, outlet velocity uniformity, velocity projection and power rating at free delivery only.

5 Year Limited Warranty



indoor use



MODEL	Nozzle Width (in)	Max Vel. at Nozzle (fpm)	Avg. Outlet Vel. (fpm)	Air Volume (cfm)	Outlet Vel. Uniformity	Power Rating (kW)	Motor(s) @ hp	Net Wt. (lbs)
AE08-E-1036A	36.00	2,447	1,790	1,007	57%	0.27	1 @ 1/5	52
AE08-E-1042A	42.00	2,274	1,964	1,289	56%	0.33	1 @ 1/5	59
AE08-E-1048A	48.00	2,376	1,956	1,467	63%	0.38	1 @ 1/5	66
AE08-E-1060A	59.00	2,314	1,983	1,859	63%	0.48	1 @ 1/5	81
AE08-E-1072A	72.00	2,301	2,002	2,252	76%	0.56	1 @ 1/5	95
AE08-E-2084A	84.00	2,274	1,964	2,578	56%	0.66	2 @ 1/5	117
AE08-E-2096A	96.00	2,376	1,956	2,934	63%	0.76	2 @ 1/5	132
AE08-E-2108A	108.00	2,376	1,971	3,326	63%	0.86	2 @ 1/5	146
AE08-E-2120A	118.00	2,314	2,034	3,718	63%	0.96	2 @ 1/5	157

See sheet EP-220E for amp draws/total load requirements.
600/3/60 power supply includes an extended cabinet, See drawing AE08-E-AMB-TR.

MODEL NUMBER CONFIGURATION

AE08-E-1 036 A A-EC-WCA -TB-SA

Series	Version	# of Motors	Opening Width	Heat	Voltage	Motor Type	Control	Opt. Display	Material / Finish	
									Cabinet	Bottom Panel
AE08	E	1, 2	036" - 120"	A=Ambient	A=120/1/60* B=208/1/60 J=240/1/60 V=220/1/60 W=277/1/60 A-XI=600/3/60 †	EC Motor	WCA= Berner AIR™ smart control	Remote Touchscreen	S=Stainless (std) A= Anod Alum C=Custom Color	A=Anod Alum (std) S=Stainless C=Custom Color

*Suitable for 50hz
† Add 5" to cabinet width for transformer

VELOCITY PROJECTION: Model AE08-E-1036A			
Distance from Nozzle (in)	40	80	120
Core Velocity (fpm)	1328	1005	818
Uniformity (%)	56%	71%	82%

Sound level measured 10' (3m) from the unit in free field:

- 1 motor: Min./Max. Speed: 50/53 dBA
- 2 motors: Min./Max. Speed: 53/56 dBA

Sound data is not AMCA certified.

ASHRAE 90.1-2019 vestibule exception requires, "a jet velocity of not less than 6.6 feet per second (2.0 m/s; 400 fpm) at 6.0 in (15 cm) above the floor."

Berner reserves the right to alter specifications without prior notice.



ARCHITECTURAL ELITE 8

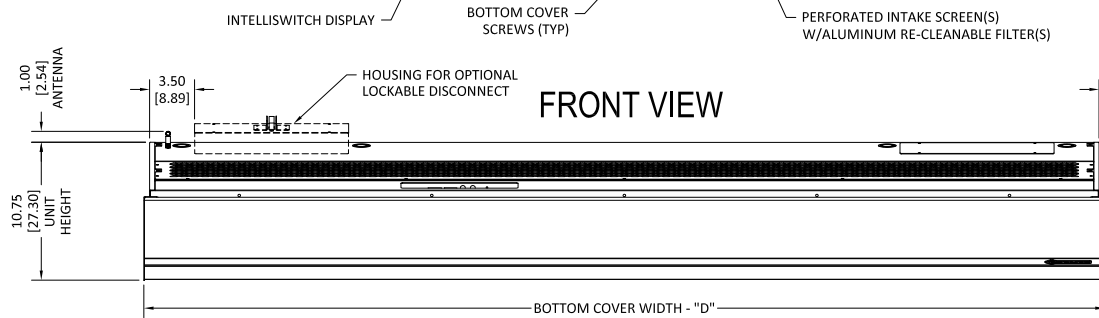
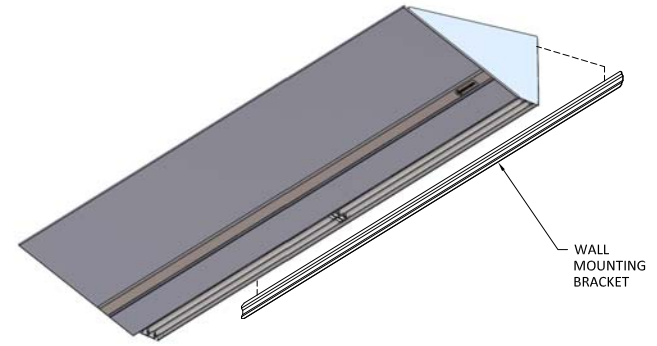
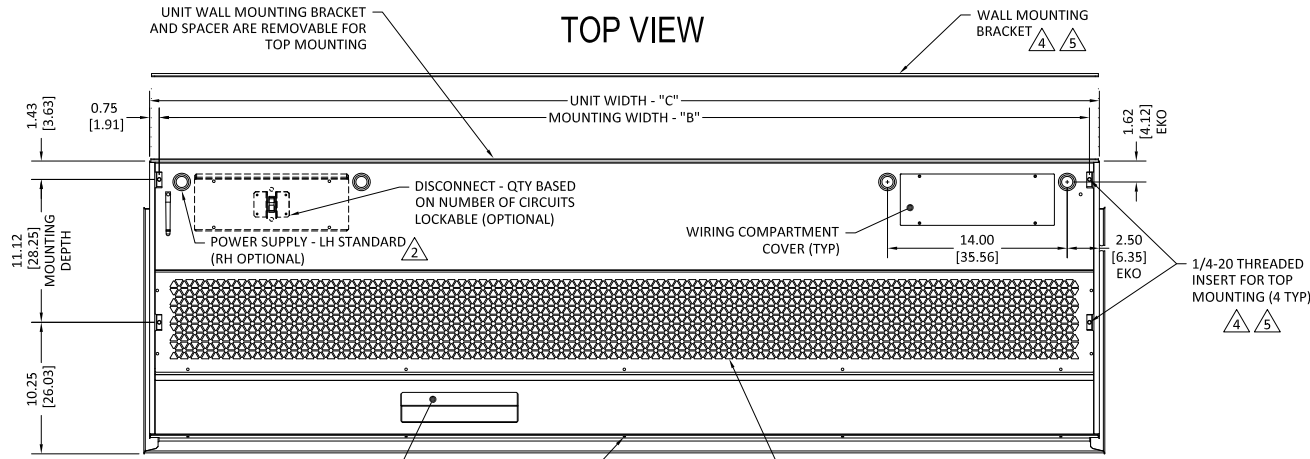
Ambient (Unheated) Air Curtain
Electrical Performance Sheet

		120/1/60 (voltage code A) MOTOR AMP DRAW = 4.4 each		208/1/60 (voltage code B) MOTOR AMP DRAW = 2.5 each		240/1/60 (voltage code J) or 220/1/50 (voltage code V) MOTOR AMP DRAW = 2.5 each			
MODEL	# CKTS	AMPS PER CIRCUIT	BREAKER RATING PER CIRCUIT	# CKTS	AMPS PER CIRCUIT	BREAKER RATING PER CIRCUIT	# CKTS	AMPS PER CIRCUIT	BREAKER RATING PER CIRCUIT
AE08-E-1036A AE08-E-1042A AE08-E-1048A AE08-E-1060A AE08-E-1072A	1	4.4	15	1	2.5	15	1	2.5	15
AE08-E-2084A AE08-E-2096A AE08-E-2108A AE08-E-2120A	1	8.8	15	1	5.0	15	1	5.0	15

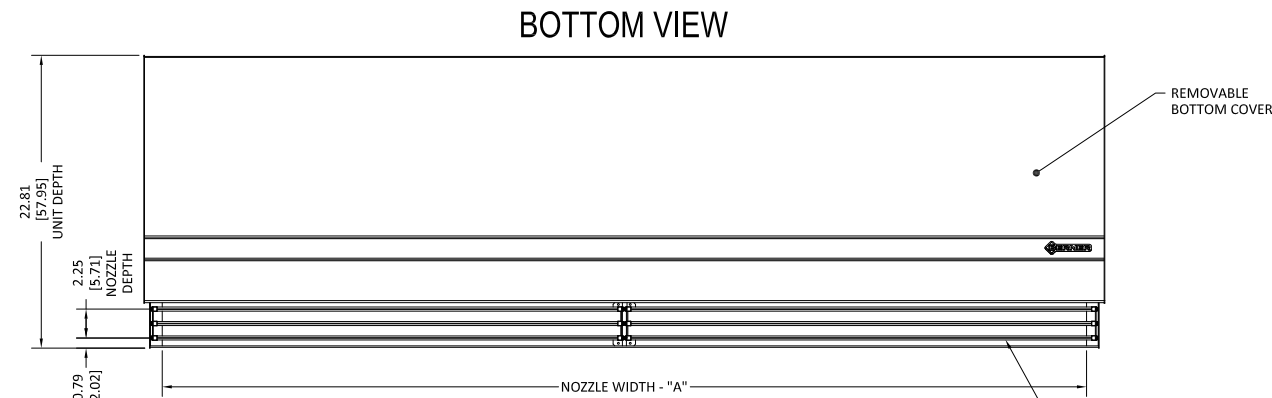
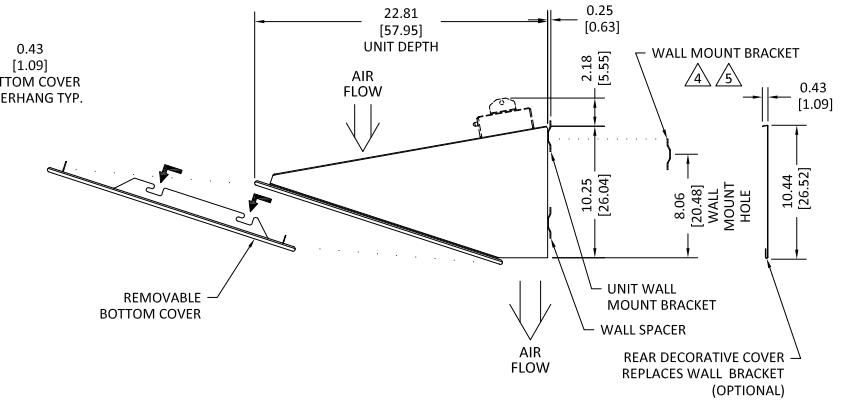
		277/1/60 (voltage code W) MOTOR AMP DRAW = 2.2 each		600/3/60 (voltage code A-XI) XFMR 600/120 0.5kVA per MTR @0.8 each MOTOR AMP DRAW = 4.4 each @ 120V		
MODEL	# CKTS	AMPS PER CIRCUIT	BREAKER RATING PER CIRCUIT	# CKTS	AMPS PER CIRCUIT	BREAKER RATING PER CIRCUIT
AE08-E-1036A AE08-E-1042A AE08-E-1048A AE08-E-1060A AE08-E-1072A	1	2.2	15	1	0.8	15
AE08-E-2084A AE08-E-2096A AE08-E-2108A AE08-E-2120A	1	4.4	15	1	1.7	15

Berner reserves the right to alter specifications without prior notice.

AE08-E AMBIENT (UNHEATED) SYSTEM: 120 - 277V



END VIEW



MODEL	NOZZLE WIDTH "A"	MOUNTING WIDTH "B"	UNIT WIDTH "C"	BOTTOM CVR WIDTH "D"
AE08-E-1036A	36.00 [91.44]	36.50 [92.71]	38.00 [96.52]	38.88 [98.74]
AE08-E-1042A	42.00 [106.68]	42.50 [107.95]	44.00 [111.76]	44.88 [113.98]
AE08-E-1048A	48.00 [121.92]	48.50 [123.19]	50.00 [127.00]	50.88 [129.22]
AE08-E-1060A	59.00 [149.86]	59.50 [151.13]	61.00 [154.94]	61.88 [157.16]
AE08-E-1072A	72.00 [182.88]	72.50 [184.15]	74.00 [187.96]	74.88 [190.18]
AE08-E-2084A	84.00 [213.36]	84.50 [214.63]	86.00 [218.44]	86.88 [220.66]
AE08-E-2096A	96.00 [243.84]	96.50 [245.11]	98.00 [248.92]	98.88 [251.16]
AE08-E-2108A	108.00 [274.32]	108.50 [275.59]	110.00 [279.40]	110.88 [281.62]
AE08-E-2120A	118.00 [299.72]	118.50 [300.99]	120.00 [304.80]	120.88 [307.04]

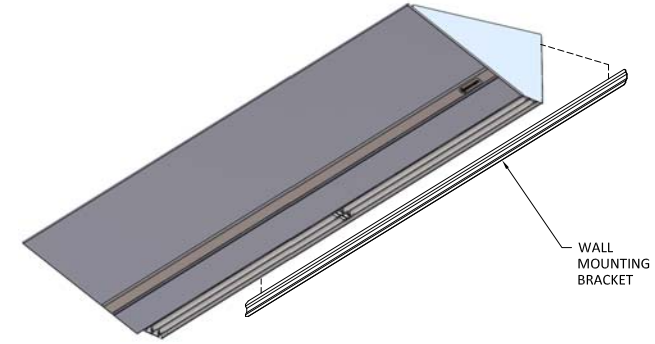
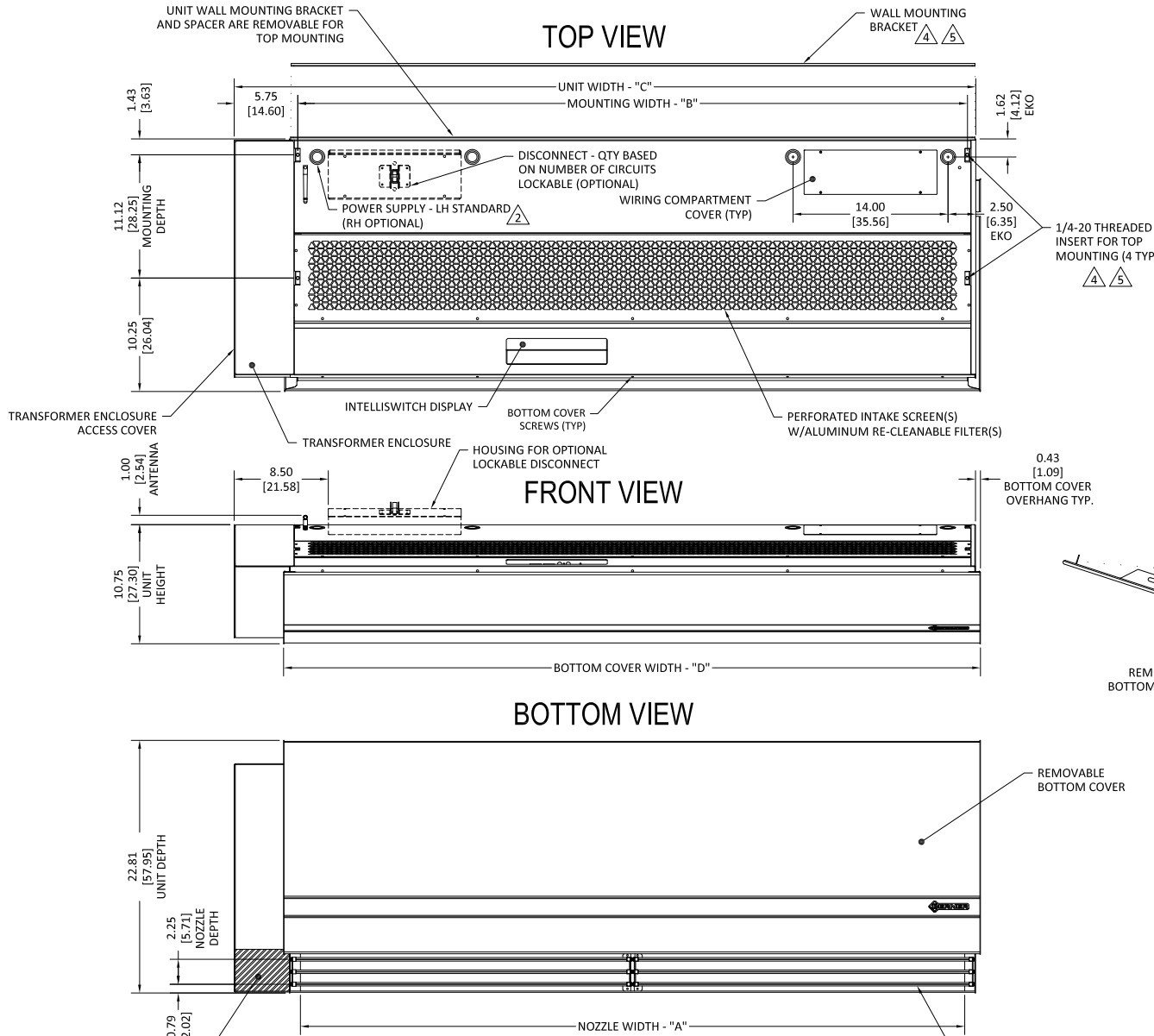
NOTES:

- 1 AIR CURTAIN MUST BE INSTALLED SO AIR STREAM IS NOT OBSTRUCTED WHEN DEFLECTED 20° TO EITHER SIDE OF C.
- 2 ELECTRICAL CONNECTIONS TO BE FLEXIBLE.
- 3 FIELD VERIFY DIMENSIONS.
- 4 ANCHORS TO SUPPORTING STRUCTURE BY OTHERS.
- 5 ADEQUACY OF SUPPORTING STRUCTURE IS TO BE VERIFIED BY A PROFESSIONAL STRUCTURAL ENGINEER.
- 6 THE LAST CHARACTER IN THE MODEL NUMBER - "A" DESIGNATES AMBIENT (UNHEATED) UNIT.
- 7 DIMENSIONS IN INCHES [CENTIMETERS].

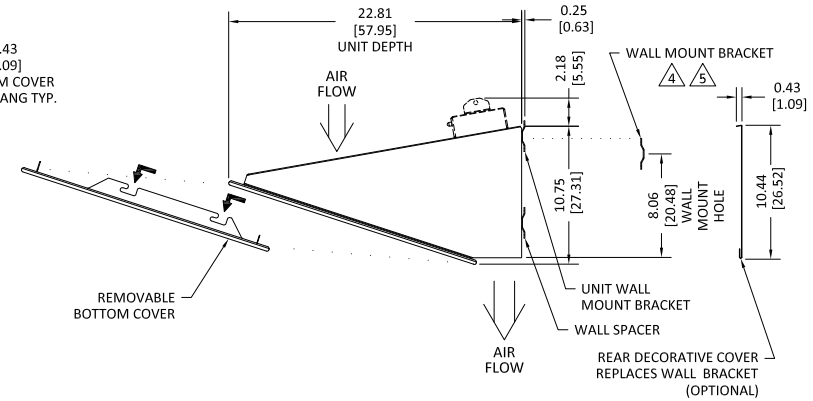
SHEET 1 OF 1

PROJECT	REV		C
LOCATION			
ARCHITECT			
ENGINEER			
DWG. NO.	AE08-E-AMB-120	TITLE:	BERNER
DATE	28JUL2023		MODEL AE08-E AIR CURTAIN 120 - 277V AMBIENT (UNHEATED) SYSTEM
BY	D. Johnson		
REPLACES	01MAR2023		
BY	D. Johnson		BERNER INTERNATIONAL CORP. NEW CASTLE, PA.

AE08-E AMBIENT (UNHEATED) SYSTEM: 600V



END VIEW



NOTES:

- 1 AIR CURTAIN MUST BE INSTALLED SO AIR STREAM IS NOT OBSTRUCTED WHEN DEFLECTED 20° TO EITHER SIDE OF Q.
- 2 ELECTRICAL CONNECTIONS TO BE FLEXIBLE.
- 3 FIELD VERIFY DIMENSIONS.
- 4 ANCHORS TO SUPPORTING STRUCTURE BY OTHERS.
- 5 ADEQUACY OF SUPPORTING STRUCTURE IS TO BE VERIFIED BY A PROFESSIONAL STRUCTURAL ENGINEER.
- 6 THE LAST CHARACTER IN THE MODEL NUMBER - "A" DESIGNATES AMBIENT (UNHEATED) UNIT.
- 7 DIMENSIONS IN INCHES [CENTIMETERS].
- 8 NO AIR FLOW, AREA HOUSES TRANSFORMER. CENTER ACTIVE NOZZLE WIDTH DIMENSION "A" OVER THE OPENING.

SHEET 1 OF 1

INACTIVE NOZZLE AREA FOR TRANSFORMER ENCLOSURE. CENTER ACTIVE NOZZLE WIDTH DIMENSION "A" OVER THE OPENING

MODEL	NOZZLE WIDTH "A"	MOUNTING WIDTH "B"	UNIT WIDTH "C"	BOTTOM CVR WIDTH "D"
AE08-E-1036A	36.00 [91.44]	36.50 [92.71]	43.00 [109.22]	38.88 [98.74]
AE08-E-1042A	42.00 [106.68]	42.50 [107.95]	49.00 [124.46]	44.88 [113.98]
AE08-E-1048A	48.00 [121.92]	48.50 [123.19]	55.00 [139.70]	50.88 [129.22]
AE08-E-1060A	59.00 [149.86]	59.50 [151.13]	66.00 [167.64]	61.88 [157.16]
AE08-E-1072A	72.00 [182.88]	72.50 [184.15]	79.00 [200.66]	74.88 [190.18]
AE08-E-2084A	84.00 [213.36]	84.50 [214.63]	91.00 [231.14]	86.88 [220.66]
AE08-E-2096A	96.00 [243.84]	96.50 [245.11]	103.00 [261.62]	98.88 [251.16]
AE08-E-2108A	108.00 [274.32]	108.50 [275.59]	115.00 [292.10]	110.88 [281.62]
AE08-E-2120A	118.00 [299.72]	118.50 [300.99]	125.00 [317.50]	120.88 [307.04]

PROJECT		REV	C
LOCATION			
ARCHITECT			
ENGINEER			
DWG. NO.	AE08-E-AMB-600	TITLE:	BERNER MODEL AE08-E AIR CURTAIN 600V AMBIENT (UNHEATED) SYSTEM BERNER INTERNATIONAL CORP. NEW CASTLE, PA.
DATE	28JUL2023		
BY	D. Johnson		
REPLACES	03MAR2023		
BY	D. Johnson		