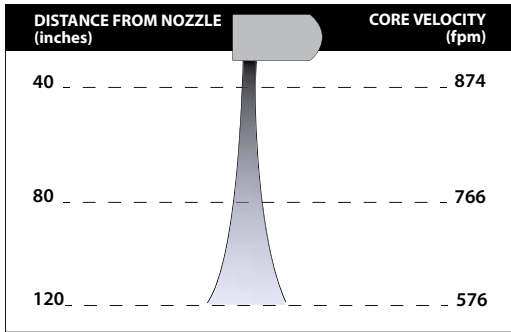


Vestibule Exception Compliance: up to 10 ft. AFF / Optimal Environmental Separation: up to 8 ft. AFF



Berner International certifies that the air curtains shown herein are licensed to bear the AMCA Seal. The ratings shown are based on tests and procedures performed in accordance with AMCA Publication 211 and comply with the requirements of the AMCA Certified Ratings Program. Rated data shown is for base (unheated) units. The AMCA Certified Ratings Seal applies to airflow rate, average outlet velocity, outlet velocity uniformity, velocity projection and power rating at free delivery only.

5 Year Limited Warranty



indoor use



MODEL	Nozzle Width (in)	Max Vel. at Nozzle (fpm)	Avg. Outlet Vel. (fpm)	Air Volume (cfm)	Outlet Vel. Uniformity	Power Rating (kW)	Motor(s) @ hp	Net Wt. (lbs)
AI08-F-1036A	36.00	2,308	1,758	989	85%	0.21	1 @ 1/5	48
AI08-F-1042A	42.00	2,425	1,778	1,167	83%	0.24	1 @ 1/5	53
AI08-F-1048A	48.00	2,417	1,827	1,370	80%	0.26	1 @ 1/5	58
AI08-F-1060A	59.00	2,276	1,827	1,684	81%	0.33	1 @ 1/5	69
AI08-F-1072A	72.00	2,185	1,648	1,854	84%	0.35	1 @ 1/5	79
AI08-F-2078A	78.00	2,425	1,769	2,156	83%	0.44	2 @ 1/5	96
AI08-F-2084A	84.00	2,425	1,778	2,334	83%	0.47	2 @ 1/5	106
AI08-F-2096A	96.00	2,417	1,827	2,740	80%	0.53	2 @ 1/5	116
AI08-F-2108A	108.00	2,417	1,810	3,054	80%	0.60	2 @ 1/5	127
AI08-F-2120A	118.00	2,276	1,827	3,368	81%	0.67	2 @ 1/5	138

See sheets EP-280E-AC & EP-280E-EC for amp draws/total load requirements. 600/3/60 power supply includes transformer housing, See drawing AI08-F-AMB-600

NOTE: Operation of standard motor (AC) at 50Hz will generate a 17% reduction in performance; no reduction for optional EC motors.

MODEL NUMBER CONFIGURATION

AI08-F-1 036 A A-AC-CB-D-R-SS

Series	Version	# of Motors	Opening Width	Heat	Voltage	Motor Type	Berner AIR	Opt. Data Link	Opt. Display	Opt. Cabinet Finish
AI08	F	1, 2	036" - 120"	A=Ambient	AC & EC motors A = 120/1/60* B = 208/1/60 J = 240/1/60 V = 230/1/50 A-XI = 600/3/60 † W = 277/1/60	AC (Std.) EC (Opt.)	CB=BASIC (Std.) CM=BMS (Opt.)	D=Physical Interconnect (daisy chain)	R=Remote Display TB=Tablet	SS=Stainless Steel CC=Custom Color

for Standard offering, leave options (Opt.) blank

STANDARD CONSTRUCTION

- 8 1/4" high x 16" deep
- 1/5 hp AC motor(s) - ten speeds
- Touchscreen interface with Intelliswitch™ digital controller, includes Berner AIR® BASIC (smart control)
- Clear satin anodized aluminum exterior
- Wall or Top Mounting
- High efficiency, low noise, articulating, three vane, Pro-V Nozzle
- Filter (washable)

OPTIONS

- 1/5 hp EC motor(s) - ten speeds
- Berner AIR® BMS (smart control with BACnet and Modbus capabilities)
- Custom Color or Stainless
- Rear cover for top mounting to conceal fasteners

*Suitable for 50 Hz
† Add 5" to cabinet width for transformer

VELOCITY PROJECTION: Model AI08-F-1036A			
Distance from Nozzle (in)	40	80	120
Core Velocity (fpm)	874	766	576
Uniformity (%)	90%	88%	87%

ASHRAE 90.1-2019 vestibule exception requires, "a jet velocity of not less than 6.6 feet per second (400 fpm; 2.0 m/s) at 6.0 in (15 cm) above the floor."

Sound level measured 10' (3m) from the unit in free field:
1 motor: Min./Max. Speed: 49/55 dBA
2 motors: Min./Max. Speed: 52/58 dBA

Sound data is not AMCA certified.

Berner reserves the right to alter specifications without prior notice.



ARCHITECTURAL ICON 8 - AC MOTORS

Ambient (Unheated) Air Curtain
Electrical Performance Sheet

MODEL	# CKTS	120/1/60 (voltage code A) AC MOTOR AMP DRAW = 3.4 each		# CKTS	208/1/60 (voltage code B) AC MOTOR AMP DRAW = 1.7 each		# CKTS	240/1/60 (voltage code J) or 230/1/50 (voltage code V) AC MOTOR AMP DRAW = 1.7 each	
		AMPS PER CIRCUIT	BREAKER RATING PER CIRCUIT		AMPS PER CIRCUIT	BREAKER RATING PER CIRCUIT		AMPS PER CIRCUIT	BREAKER RATING PER CIRCUIT
AI08-F-1036A AI08-F-1042A AI08-F-1048A AI08-F-1060A AI08-F-1072A	1	3.4	15	1	1.7	15	1	1.7	15
AI08-F-2078A AI08-F-2084A AI08-F-2096A AI08-F-2108A AI08-F-2120A	1	6.8	15	1	3.4	15	1	3.4	15

MODEL	# CKTS	277/1/60 (voltage code W) AC MOTOR AMP DRAW = 2.3 each		# CKTS	600/3/60 (voltage code A-XI) XFMR 600/120 0.5kVA per MTR @ 0.8 each AC MOTOR AMP DRAW = 3.4 each @ 120V	
		AMPS PER CIRCUIT	BREAKER RATING PER CIRCUIT		AMPS PER CIRCUIT	BREAKER RATING PER CIRCUIT
AI08-F-1036A AI08-F-1042A AI08-F-1048A AI08-F-1060A AI08-F-1072A	1	2.3	15	1	0.8	15
AI08-F-2078A AI08-F-2084A AI08-F-2096A AI08-F-2108A AI08-F-2120A	1	4.6	15	1	1.6	15

Berner reserves the right to alter specifications without prior notice.



ARCHITECTURAL ICON 8 - EC MOTORS

Ambient (Unheated) Air Curtain
Electrical Performance Sheet

MODEL	# CKTS	120/1/60 (voltage code A) EC MOTOR AMP DRAW = 4.4 each		# CKTS	208/1/60 (voltage code B) EC MOTOR AMP DRAW = 2.5 each		# CKTS	240/1/60 (voltage code J) or 230/1/50 (voltage code V) EC MOTOR AMP DRAW = 2.5 each	
		AMPS PER CIRCUIT	BREAKER RATING PER CIRCUIT		AMPS PER CIRCUIT	BREAKER RATING PER CIRCUIT		AMPS PER CIRCUIT	BREAKER RATING PER CIRCUIT
AI08-F-1036A AI08-F-1042A AI08-F-1048A AI08-F-1060A AI08-F-1072A	1	4.4	15	1	2.5	15	1	2.5	15
AI08-F-2078A AI08-F-2084A AI08-F-2096A AI08-F-2108A AI08-F-2120A	1	8.8	15	1	5.0	15	1	5.0	15

MODEL	# CKTS	277/1/60 (voltage code W) EC MOTOR AMP DRAW = 2.2 each		# CKTS	600/3/60 (voltage code A-XI) XFMR 600/120 0.5kVA per MTR @ 0.8 each EC MOTOR AMP DRAW = 4.4 each @ 120V	
		AMPS PER CIRCUIT	BREAKER RATING PER CIRCUIT		AMPS PER CIRCUIT	BREAKER RATING PER CIRCUIT
AI08-F-1036A AI08-F-1042A AI08-F-1048A AI08-F-1060A AI08-F-1072A	1	2.2	15	1	0.8	15
AI08-F-2078A AI08-F-2084A AI08-F-2096A AI08-F-2108A AI08-F-2120A	1	4.4	15	1	1.7	15

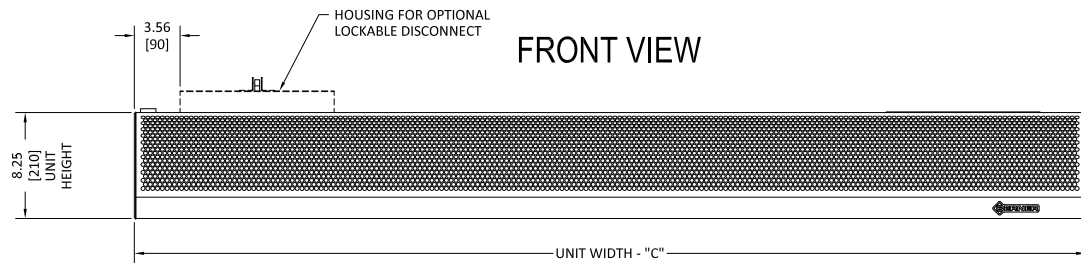
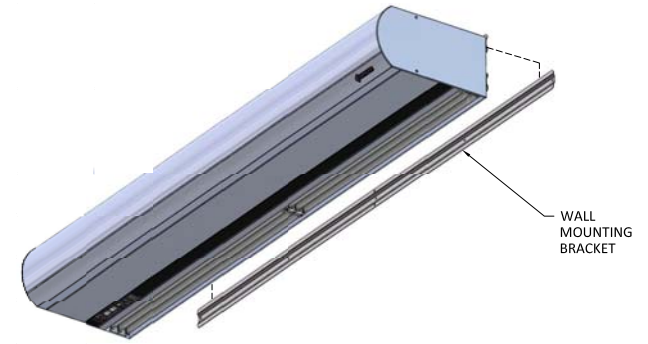
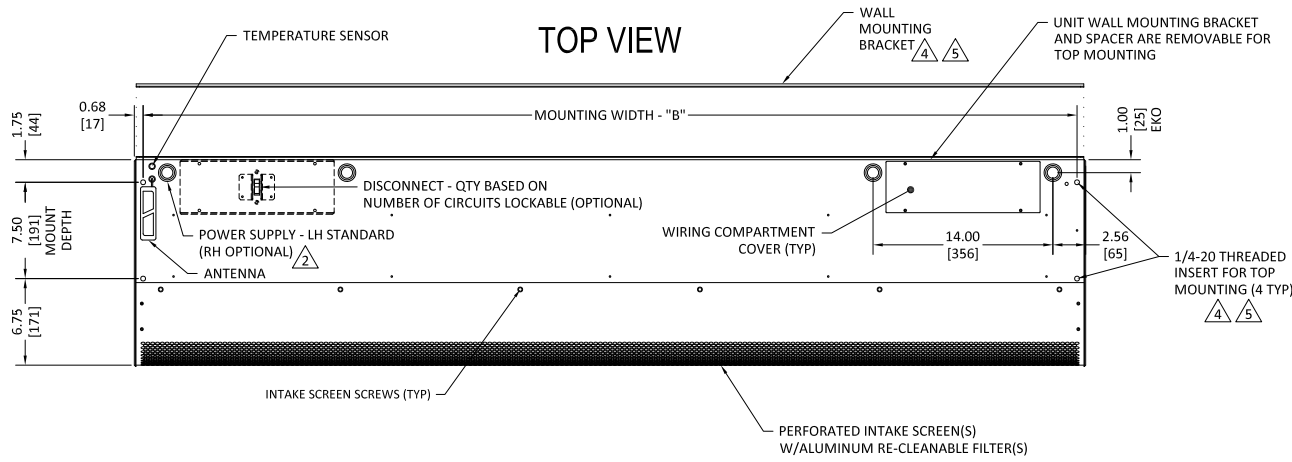
Berner reserves the right to alter specifications without prior notice.

Berner.com Berner Air Curtains 800.245.4455
111 Progress Ave. / New Castle / PA / 16101 / USA

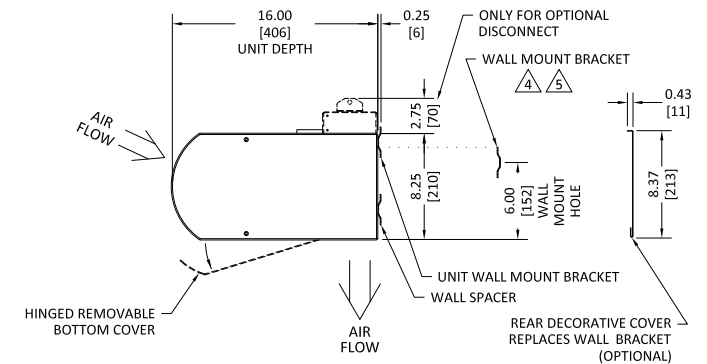
EP-280E-EC
July, 2025

©Copyright, 2026 Berner Air Curtains

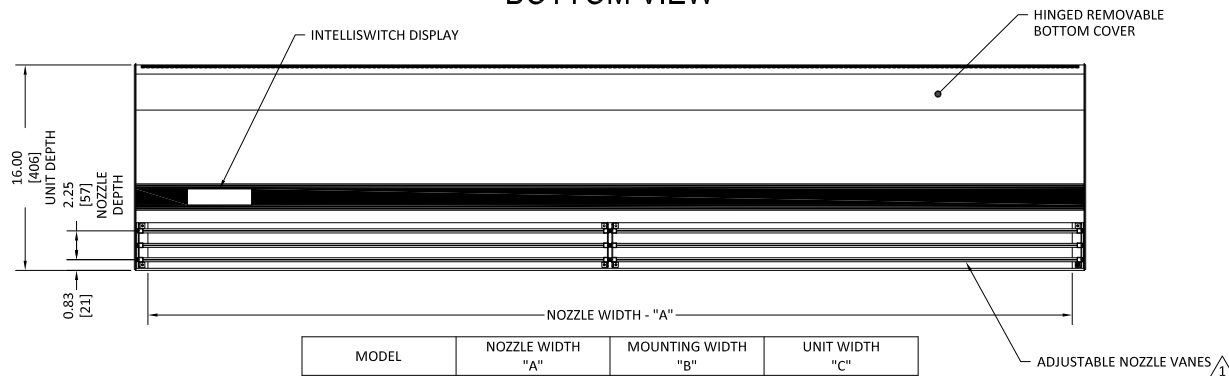
AI08-F AMBIENT (UNHEATED) SYSTEM: 120 - 277V



END VIEW



BOTTOM VIEW



MODEL	NOZZLE WIDTH "A"	MOUNTING WIDTH "B"	UNIT WIDTH "C"
AI08-F-1036A	36.00 [914]	36.75 [934]	38.13 [968]
AI08-F-1042A	42.00 [1067]	42.75 [1086]	44.13 [1121]
AI08-F-1048A	48.00 [1219]	48.75 [1238]	50.13 [1273]
AI08-F-1060A	59.00 [1499]	59.75 [1518]	61.13 [1553]
AI08-F-1072A	72.00 [1829]	72.75 [1848]	74.13 [1883]
AI08-F-2078A	78.00 [1981]	78.75 [2000]	80.13 [2035]
AI08-F-2084A	84.00 [2134]	84.75 [2153]	86.13 [2188]
AI08-F-2096A	96.00 [2438]	96.75 [2458]	98.13 [2492]
AI08-F-2108A	108.00 [2743]	108.75 [2762]	110.13 [2797]
AI08-F-2120A	118.00 [2997]	118.75 [3016]	120.13 [3051]

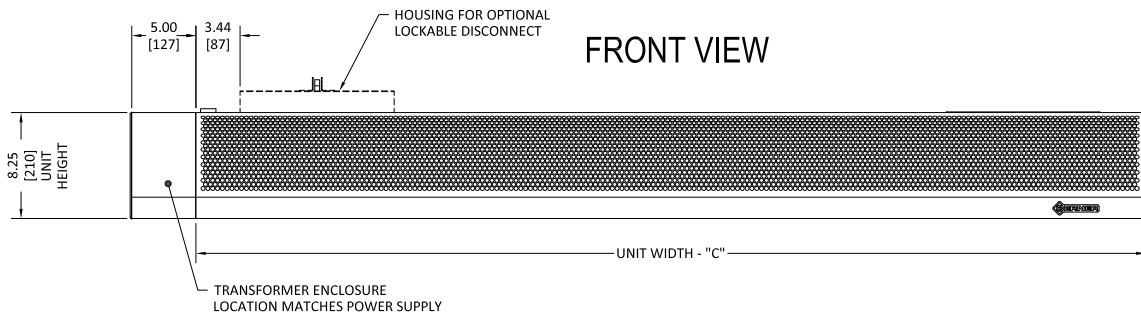
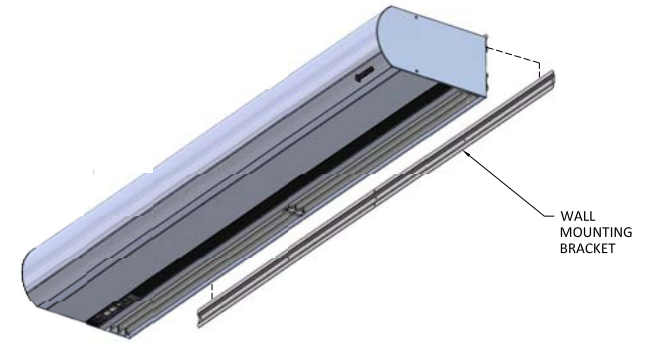
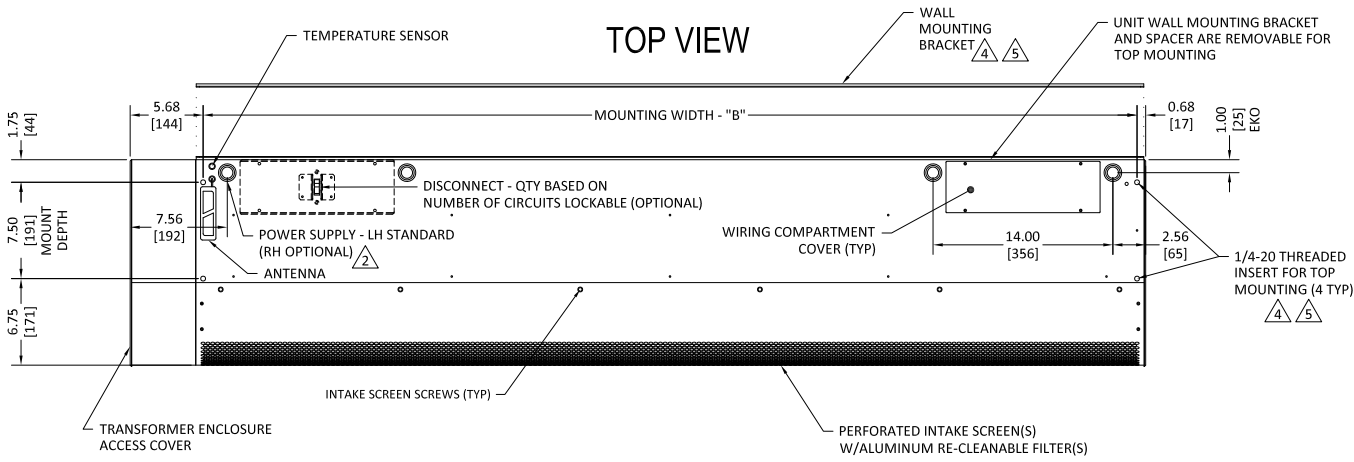
NOTES:

- 1 AIR CURTAIN MUST BE INSTALLED SO AIR STREAM IS NOT OBSTRUCTED WHEN DEFLECTED 20° TO EITHER SIDE OF ϕ .
- 2 ELECTRICAL CONNECTIONS TO BE FLEXIBLE.
- 3 FIELD VERIFY DIMENSIONS.
- 4 ANCHORS TO SUPPORTING STRUCTURE BY OTHERS.
- 5 ADEQUACY OF SUPPORTING STRUCTURE IS TO BE VERIFIED BY A PROFESSIONAL STRUCTURAL ENGINEER.
- 6 THE LAST CHARACTER IN THE MODEL NUMBER - "A" DESIGNATES AMBIENT (UNHEATED) UNIT.
- 7 DIMENSIONS IN INCHES [MILLIMETERS].

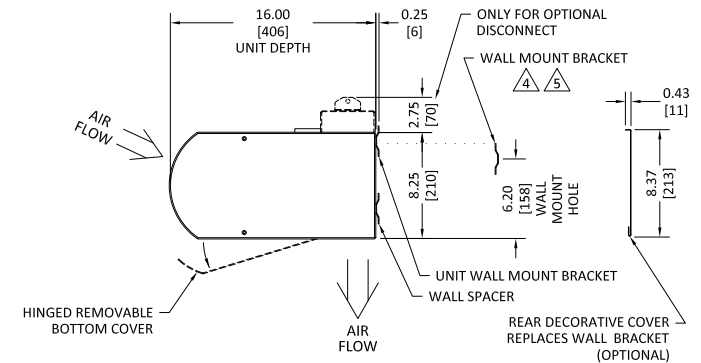
SHEET 1 OF 1

PROJECT	REV	1
LOCATION		
ARCHITECT		
ENGINEER		
DWG. NO.	AI08-F-AMB-120	TITLE: BERNER
DATE	13NOV2025	MODEL AI08-F AIR CURTAIN 120 - 277V AMBIENT (UNHEATED) SYSTEM
BY	S. Beil	
REPLACES	23JAN2025	
BY	S. Beil	BERNER INTERNATIONAL CORP. NEW CASTLE, PA.

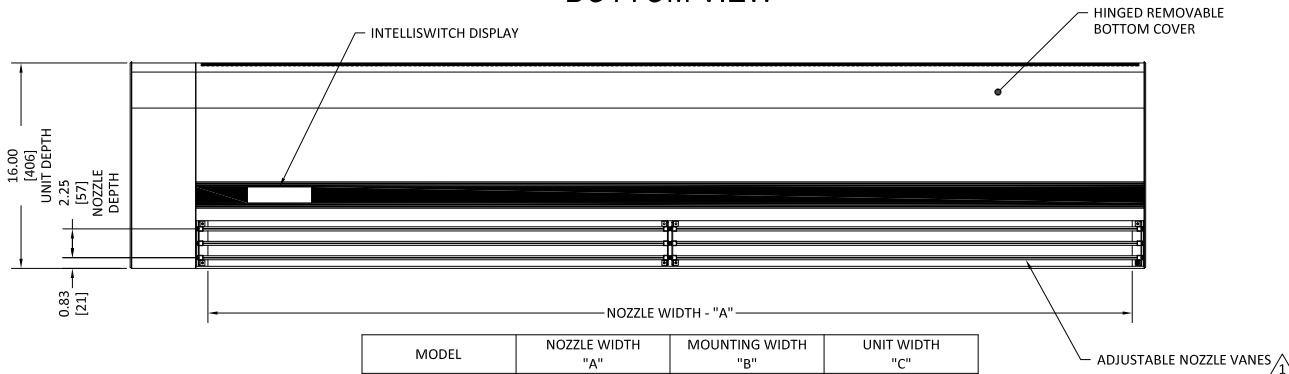
AI08-F AMBIENT (UNHEATED) SYSTEM: 600V



END VIEW



BOTTOM VIEW



MODEL	NOZZLE WIDTH "A"	MOUNTING WIDTH "B"	UNIT WIDTH "C"
AI08-F-1036A	36.00 [914]	36.75 [934]	38.13 [968]
AI08-F-1042A	42.00 [1067]	42.75 [1086]	44.13 [1121]
AI08-F-1048A	48.00 [1219]	48.75 [1238]	50.13 [1273]
AI08-F-1060A	59.00 [1499]	59.75 [1518]	61.13 [1553]
AI08-F-1072A	72.00 [1829]	72.75 [1848]	74.13 [1883]
AI08-F-2078A	78.00 [1981]	78.75 [2000]	80.13 [2035]
AI08-F-2084A	84.00 [2134]	84.75 [2153]	86.13 [2188]
AI08-F-2096A	96.00 [2438]	96.75 [2458]	98.13 [2492]
AI08-F-2108A	108.00 [2743]	108.75 [2762]	110.13 [2797]
AI08-F-2120A	118.00 [2997]	118.75 [3016]	120.13 [3051]

NOTES:

- 1 AIR CURTAIN MUST BE INSTALLED SO AIR STREAM IS NOT OBSTRUCTED WHEN DEFLECTED 20° TO EITHER SIDE OF ϕ .
- 2 ELECTRICAL CONNECTIONS TO BE FLEXIBLE.
- 3 FIELD VERIFY DIMENSIONS.
- 4 ANCHORS TO SUPPORTING STRUCTURE BY OTHERS.
- 5 ADEQUACY OF SUPPORTING STRUCTURE IS TO BE VERIFIED BY A PROFESSIONAL STRUCTURAL ENGINEER.
- 6 THE LAST CHARACTER IN THE MODEL NUMBER - "A" DESIGNATES AMBIENT (UNHEATED) UNIT.
- 7 DIMENSIONS IN INCHES [MILLIMETERS].

SHEET 1 OF 1

PROJECT		REV	2
LOCATION			
ARCHITECT			
ENGINEER			
DWG. NO.	AI08-F-AMB-600	TITLE:	BERNER MODEL AI08-F AIR CURTAIN 600V AMBIENT (UNHEATED) SYSTEM
DATE	13NOV2025		
BY	S. Beil		
REPLACES	23JAN2025		
BY	S. Beil	BERNER INTERNATIONAL CORP. NEW CASTLE, PA.	