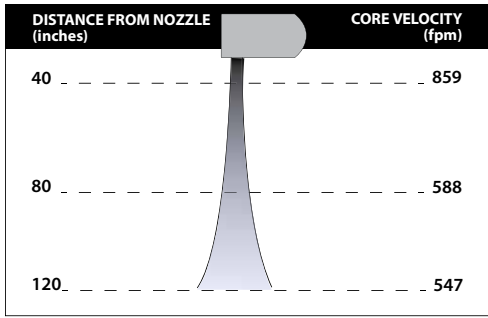


Vestibule Exception Compliance: up to 10 ft. AFF / Optimal Environmental Separation: up to 8 ft. AFF



Berner International certifies that the air curtains shown herein are licensed to bear the AMCA Seal. The ratings shown are based on tests and procedures performed in accordance with AMCA Publication 211 and comply with the requirements of the AMCA Certified Ratings Program. Rated data shown is for base (steam heated) units. The AMCA Certified Ratings Seal applies to airflow rate, average outlet velocity, outlet velocity uniformity, velocity projection and power rating at free delivery only.

2 Year Limited Warranty



indoor use



MODEL	Nozzle Width (in)	Max Vel. at Nozzle (fpm)	Avg. Outlet Vel. (fpm)	Air Volume (cfm)	Outlet Vel. Uniformity	Power Rating (kW)	Motor(s) @ hp	Coil Output (MBH)	Inlet Pressure (PSIG)	Condensate (lbs/hr)	Air Temp. Rise (°F)	Net Wt. (lbs)
AI08-F-1036S	36.00	2,054	1,545	869	84%	0.19	1 @ 1/5	44.5	5	45.8	47°	68
AI08-F-1042S	42.00	1,985	1,547	1,015	82%	0.20	1 @ 1/5	52.4	5	54.0	48°	76
AI08-F-1048S	48.00	2,013	1,585	1,189	80%	0.23	1 @ 1/5	61.1	5	62.9	47°	83
AI08-F-1060S	59.00	2,040	1,552	1,431	80%	0.26	1 @ 1/5	75.6	5	77.9	49°	99
AI08-F-1072S	72.00	1,928	1,394	1,568	83%	0.28	1 @ 1/5	87.1	5	89.8	51°	117
AI08-F-2078S	78.00	2,054	1,546	1,884	82%	0.39	2 @ 1/5	99.8	5	102.9	49°	136
AI08-F-2084S	84.00	1,985	1,547	2,030	82%	0.41	2 @ 1/5	107.7	5	111.0	49°	149
AI08-F-2096S	96.00	2,013	1,585	2,378	80%	0.46	2 @ 1/5	125.1	5	128.9	49°	164
AI08-F-2108S	108.00	2,040	1,553	2,620	80%	0.49	2 @ 1/5	139.6	5	143.8	49°	180
AI08-F-2120S	118.00	2,040	1,552	2,862	80%	0.53	2 @ 1/5	152.1	5	156.7	49°	196

See sheets EP-284E-AC & EP-284E-EC for amp draws/total load requirements.

600/3/60 power supply includes transformer housing, See drawing AI08-F-STM-600

NOTES:

- Standard connection same end supply/return.
- Coil should be field supplied with a solenoid/control valve that energizes only when air curtain is energized. Consideration must be taken for freeze protection when necessary.
- Coil performance based on 65°F entering air temperature.
- Maximum leaving air temperature shall not exceed 120F.
- Consult factory for alternate steam pressures.
- Operation of standard motor (AC) at 50Hz will generate a 17% reduction in performance; no reduction for optional EC motors.

MODEL NUMBER CONFIGURATION

AI08-F-1 036 S A-AC-CB-D-R-SS

Series	Version	# of Motors	Opening Width	Heat	Voltage	Motor Type	Berner AIR	Opt. Data Link	Opt. Display	Opt. Cabinet Finish
AI08	F	1, 2	036" - 120"	S=Steam Heated	AC & EC motors A = 120/1/60* B = 208/1/60 J = 240/1/60 V = 230/1/50 A-XI = 600/3/60 † W = 277/1/60 †	AC (Std.) EC (Opt.)	CB=BASIC (Std.) CM=BMS (Opt.)	D=Physical Interconnect (daisy chain)	R=Remote Display TB=Tablet	SS=Stainless Steel CC=Custom Color

STANDARD CONSTRUCTION

- 8 1/4" high x 16" deep
- 1/5 hp AC motor(s) - ten speeds
- Touchscreen interface with Intelliswitch™ digital controller, includes Berner AIR® BASIC (smart control)
- Clear satin anodized aluminum exterior
- Wall or Top Mounting
- High efficiency, low noise, articulating, three vane, Pro-V Nozzle
- Factory installed coil
- Filter (washable)

OPTIONS

- 1/5 hp EC motor(s) - ten speeds
- Berner AIR® BMS (smart control with BACnet and Modbus capabilities)
- Custom Color or Stainless
- Rear cover for top mounting to conceal fasteners

*Suitable for 50 Hz
† Add 5" to cabinet width for transformer

for Standard offering, leave options (Opt.) blank

VELOCITY PROJECTION: Model AI08-F-1036S			
Distance from Nozzle (in)	40	80	120
Core Velocity (fpm)	859	588	547
Uniformity (%)	89%	87%	91%

ASHRAE 90.1-2019 vestibule exception requires, "a jet velocity of not less than 6.6 feet per second (400 fpm; 2.0 m/s) at 6.0 in (15 cm) above the floor."

Sound level measured 10' (3m) from the unit in free field:
1 motor: Min./Max. Speed: 50/55 dBA
2 motors: Min./Max. Speed: 53/58 dBA

Sound data is not AMCA certified.

Berner reserves the right to alter specifications without prior notice.



ARCHITECTURAL ICON 8 - AC MOTORS

Steam Heated Air Curtain Electrical Performance Sheet

MODEL	120/1/60 (voltage code A) AC MOTOR AMP DRAW = 3.4 each			208/1/60 (voltage code B) AC MOTOR AMP DRAW = 1.7 each			240/1/60 (voltage code J) or 230/1/50 (voltage code V) AC MOTOR AMP DRAW = 1.7 each		
	# CKTS	AMPS PER CIRCUIT	BREAKER RATING PER CIRCUIT	# CKTS	AMPS PER CIRCUIT	BREAKER RATING PER CIRCUIT	# CKTS	AMPS PER CIRCUIT	BREAKER RATING PER CIRCUIT
AI08-F-1036S AI08-F-1042S AI08-F-1048S AI08-F-1060S AI08-F-1072S	1	3.4	15	1	1.7	15	1	1.7	15
AI08-F-2078S AI08-F-2084S AI08-F-2096S AI08-F-2108S AI08-F-2120S	1	6.8	15	1	3.4	15	1	3.4	15

MODEL	277/1/60 (voltage code W) AC MOTOR AMP DRAW = 2.3 each			600/3/60 (voltage code A-XI) XFMR 600/120 0.5kVA per MTR @ 0.8 each AC MOTOR AMP DRAW = 3.4 each @ 120V		
	# CKTS	AMPS PER CIRCUIT	BREAKER RATING PER CIRCUIT	# CKTS	AMPS PER CIRCUIT	BREAKER RATING PER CIRCUIT
AI08-F-1036S AI08-F-1042S AI08-F-1048S AI08-F-1060S AI08-F-1072S	1	2.3	15	1	0.8	15
AI08-F-2078S AI08-F-2084S AI08-F-2096S AI08-F-2108S AI08-F-2120S	1	4.6	15	1	1.6	15

Berner reserves the right to alter specifications without prior notice.



ARCHITECTURAL ICON 8 - EC MOTORS

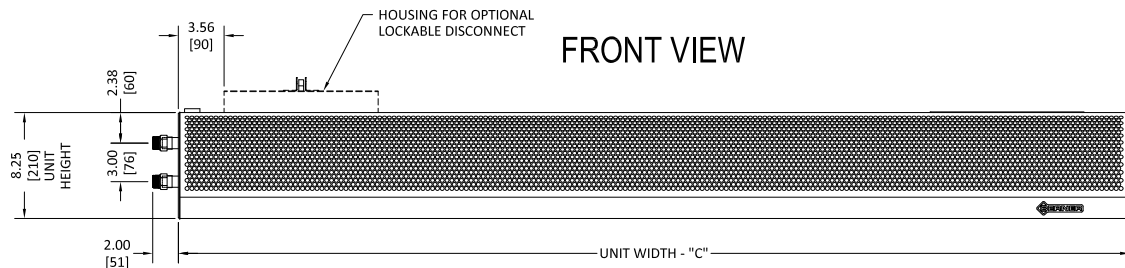
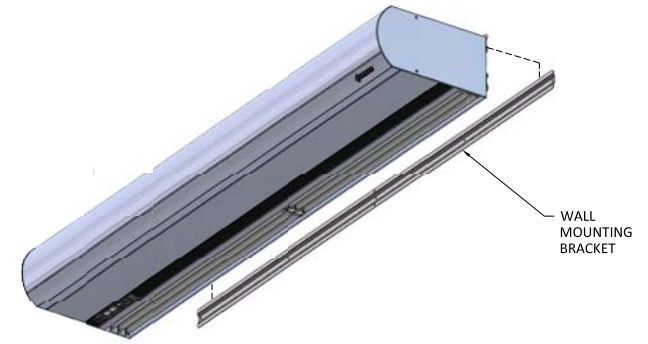
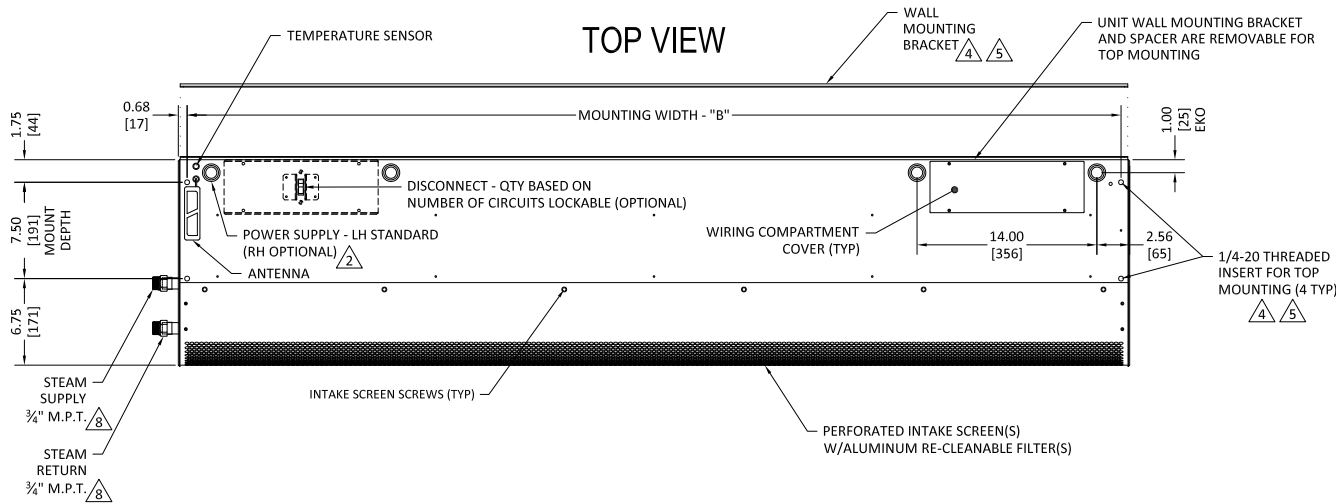
Steam Heated Air Curtain Electrical Performance Sheet

MODEL	# CKTS	120/1/60 (voltage code A) EC MOTOR AMP DRAW = 4.4 each		# CKTS	208/1/60 (voltage code B) EC MOTOR AMP DRAW = 2.5 each		# CKTS	240/1/60 (voltage code J) or 230/1/50 (voltage code V) EC MOTOR AMP DRAW = 2.5 each	
		AMPS PER CIRCUIT	BREAKER RATING PER CIRCUIT		AMPS PER CIRCUIT	BREAKER RATING PER CIRCUIT		AMPS PER CIRCUIT	BREAKER RATING PER CIRCUIT
AI08-F-1036S AI08-F-1042S AI08-F-1048S AI08-F-1060S AI08-F-1072S	1	4.4	15	1	2.5	15	1	2.5	15
AI08-F-2078S AI08-F-2084S AI08-F-2096S AI08-F-2108S AI08-F-2120S	1	8.8	15	1	5.0	15	1	5.0	15

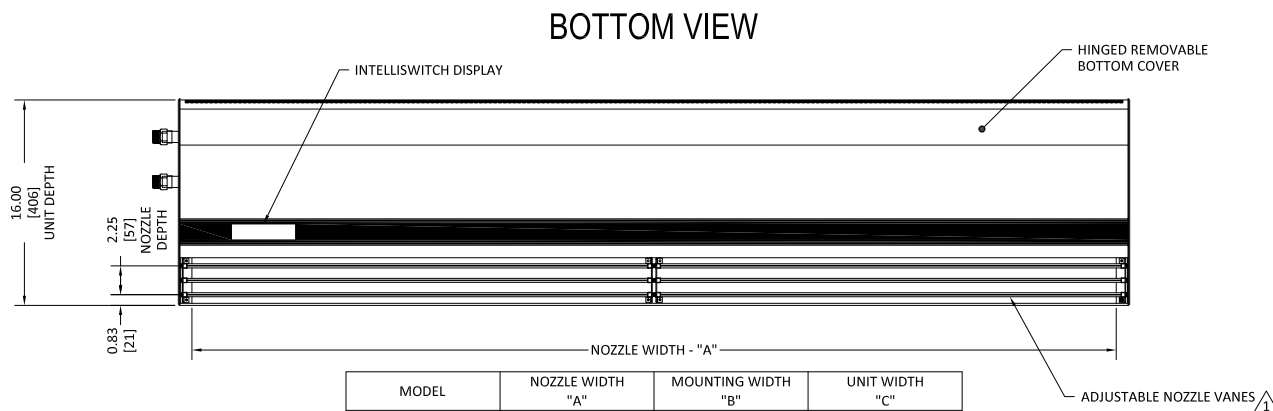
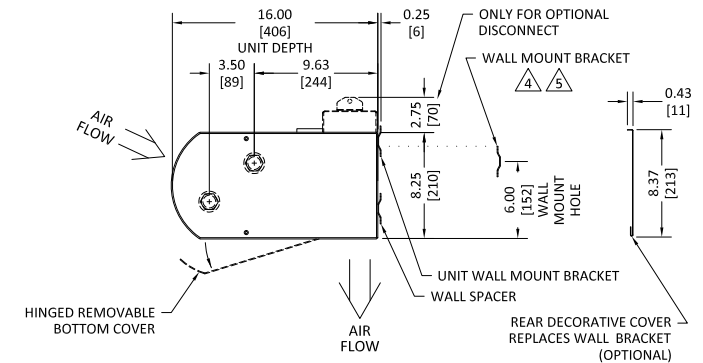
MODEL	# CKTS	277/1/60 (voltage code W) EC MOTOR AMP DRAW = 2.2 each		# CKTS	600/3/60 (voltage code A-XI) XFMR 600/120 0.5kVA per MTR @ 0.8 each EC MOTOR AMP DRAW = 4.4 each @ 120V	
		AMPS PER CIRCUIT	BREAKER RATING PER CIRCUIT		AMPS PER CIRCUIT	BREAKER RATING PER CIRCUIT
AI08-F-1036S AI08-F-1042S AI08-F-1048S AI08-F-1060S AI08-F-1072S	1	2.2	15	1	0.8	15
AI08-F-2078S AI08-F-2084S AI08-F-2096S AI08-F-2108S AI08-F-2120S	1	4.4	15	1	1.7	15

Berner reserves the right to alter specifications without prior notice.

AI08-F STEAM HEATED SYSTEM: 120 - 240V



END VIEW



MODEL	NOZZLE WIDTH "A"	MOUNTING WIDTH "B"	UNIT WIDTH "C"
AI08-F-1036S	36.00 [914]	36.75 [934]	38.13 [968]
AI08-F-1042S	42.00 [1067]	42.75 [1086]	44.13 [1121]
AI08-F-1048S	48.00 [1219]	48.75 [1238]	50.13 [1273]
AI08-F-1060S	59.00 [1499]	59.75 [1518]	61.13 [1553]
AI08-F-1072S	72.00 [1829]	72.75 [1848]	74.13 [1883]
AI08-F-2078A	78.00 [1981]	78.75 [2000]	80.13 [2035]
AI08-F-2084S	84.00 [2134]	84.75 [2153]	86.13 [2188]
AI08-F-2096S	96.00 [2438]	96.75 [2458]	98.13 [2492]
AI08-F-2108S	108.00 [2743]	108.75 [2762]	110.13 [2797]
AI08-F-2120S	118.00 [2997]	118.75 [3016]	120.13 [3051]

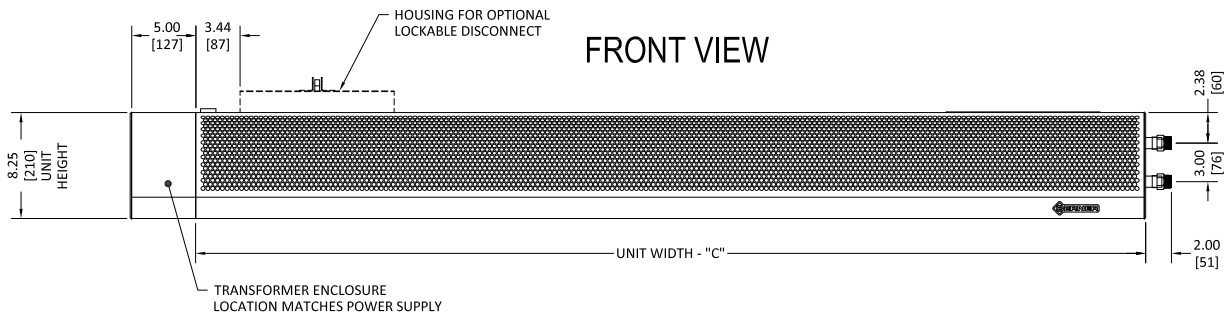
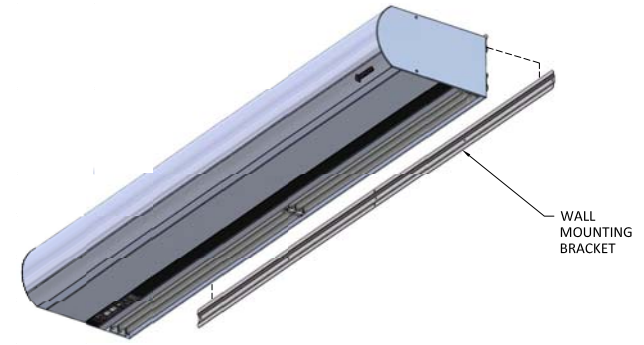
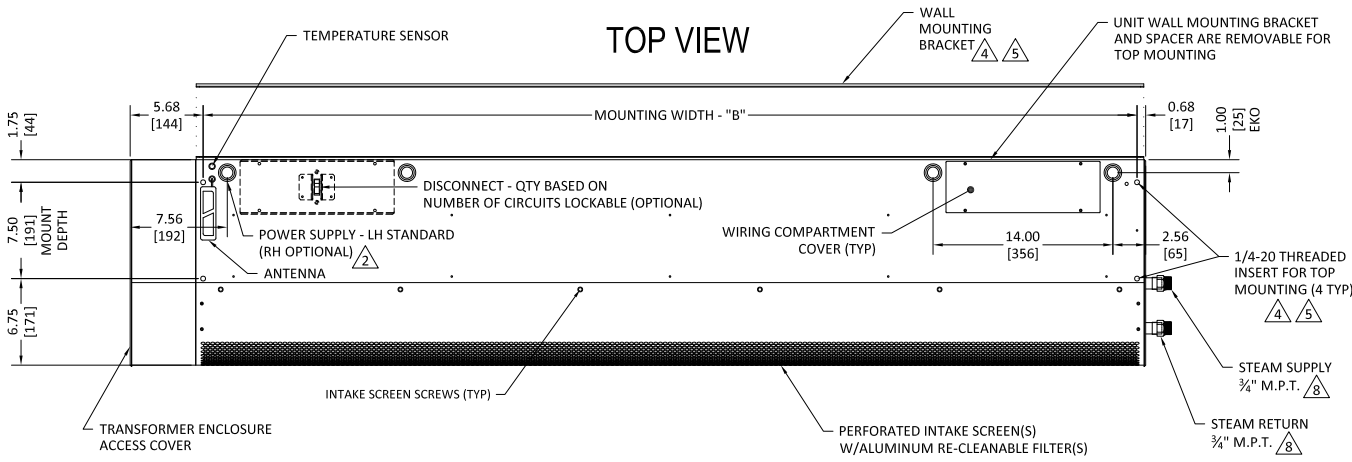
NOTES:

- 1 AIR CURTAIN MUST BE INSTALLED SO AIR STREAM IS NOT OBSTRUCTED WHEN DEFLECTED 20° TO EITHER SIDE OF Q.
- 2 ELECTRICAL CONNECTIONS TO BE FLEXIBLE.
- 3 FIELD VERIFY DIMENSIONS.
- 4 ANCHORS TO SUPPORTING STRUCTURE BY OTHERS.
- 5 ADEQUACY OF SUPPORTING STRUCTURE IS TO BE VERIFIED BY A PROFESSIONAL STRUCTURAL ENGINEER.
- 6 THE LAST CHARACTER IN THE MODEL NUMBER - "S" DESIGNATES STEAM HEATED UNIT.
- 7 DIMENSIONS IN INCHES [MILLIMETERS].
- 8 COIL CONNECTIONS LH STANDARD (AS SHOWN), OPTIONAL RH.

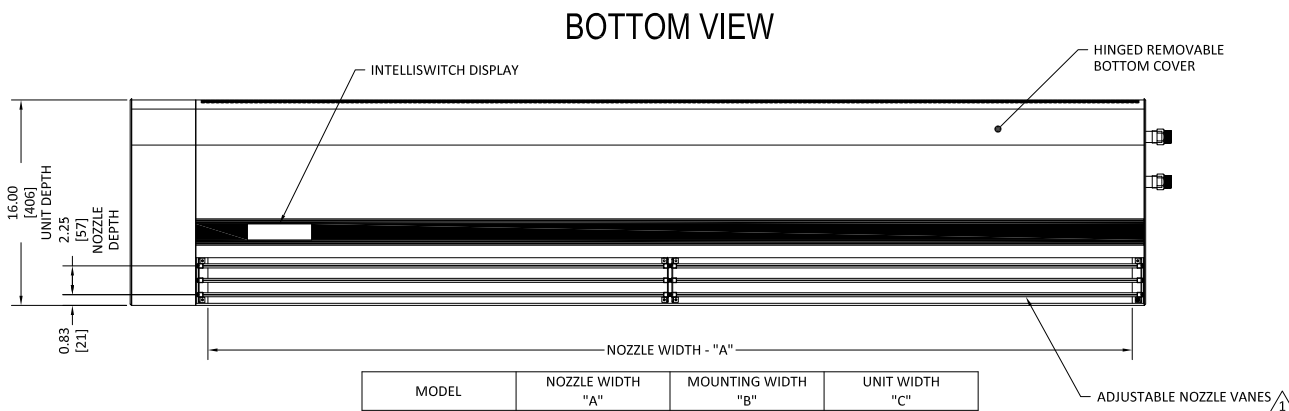
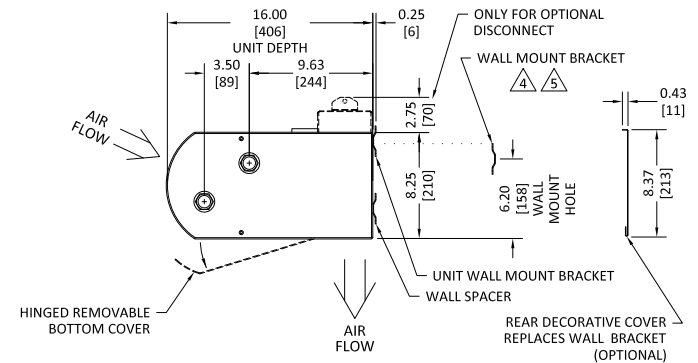
SHEET 1 OF 1

PROJECT		REV	1
LOCATION			
ARCHITECT			
ENGINEER			
DWG. NO.	AI08-F-WTR-120	TITLE:	BERNER MODEL AI08-F AIR CURTAIN 120 - 277V STEAM HEATED SYSTEM
DATE	13NOV2025		
BY	S. Beil		
REPLACES	23JAN2025		
BY	S. Beil		
BERNER INTERNATIONAL CORP. NEW CASTLE, PA.			

AI08-F STEAM HEATED SYSTEM: 277 - 600V



END VIEW



MODEL	NOZZLE WIDTH "A"	MOUNTING WIDTH "B"	UNIT WIDTH "C"
AI08-F-1036S	36.00 [914]	36.75 [934]	38.13 [968]
AI08-F-1042S	42.00 [1067]	42.75 [1086]	44.13 [1121]
AI08-F-1048S	48.00 [1219]	48.75 [1238]	50.13 [1273]
AI08-F-1060S	59.00 [1499]	59.75 [1518]	61.13 [1553]
AI08-F-1072S	72.00 [1829]	72.75 [1848]	74.13 [1883]
AI08-F-2078A	78.00 [1981]	78.75 [2000]	80.13 [2035]
AI08-F-2084S	84.00 [2134]	84.75 [2153]	86.13 [2188]
AI08-F-2096S	96.00 [2438]	96.75 [2458]	98.13 [2492]
AI08-F-2108S	108.00 [2743]	108.75 [2762]	110.13 [2797]
AI08-F-2120S	118.00 [2997]	118.75 [3016]	120.13 [3051]

NOTES:

- 1 AIR CURTAIN MUST BE INSTALLED SO AIR STREAM IS NOT OBSTRUCTED WHEN DEFLECTED 20° TO EITHER SIDE OF Q.
- 2 ELECTRICAL CONNECTIONS TO BE FLEXIBLE.
- 3 FIELD VERIFY DIMENSIONS.
- 4 ANCHORS TO SUPPORTING STRUCTURE BY OTHERS.
- 5 ADEQUACY OF SUPPORTING STRUCTURE IS TO BE VERIFIED BY A PROFESSIONAL STRUCTURAL ENGINEER.
- 6 THE LAST CHARACTER IN THE MODEL NUMBER - "S" DESIGNATES STEAM HEATED UNIT.
- 7 DIMENSIONS IN INCHES [MILLIMETERS].
- 8 COIL CONNECTIONS OPPOSITE POWER SUPPLY, RH SHOWN, OPTIONAL LH.

SHEET 1 OF 1

PROJECT		REV	2
LOCATION			
ARCHITECT			
ENGINEER			
DWG. NO.	AI08-F-STM-600	TITLE:	BERNER MODEL AI08-F AIR CURTAIN 600V STEAM HEATED SYSTEM
DATE	13NOV2025		
BY	S. Beil		
REPLACES	23JAN2025		
BY	S. Beil		BERNER INTERNATIONAL CORP. NEW CASTLE, PA.