

Recommended for Mounting Heights to 8' (environmental separation)

STANDARD CONSTRUCTION

- 8 1/2" high x 13 1/2" deep
- 1/5 hp two speed motor(s)
- Factory installed fan speed/heat switch
- White or black powder coated exterior (Optional: Custom Color or Stainless)
- Wall & Top Mounting
- Optional: Filter (washable)

- Coil Features:
 - Galvanized steel casing
 - 5/8" copper tube with .035" wall
 - Aluminum fins
 - Leak tested at 450 PSI

2 Year Limited Warranty



indoor use



MODEL	Nozzle Width (in)	Max Vel. at Nozzle (fpm)	Avg. Outlet Vel. (fpm)	Air Volume (cfm)	Outlet Vel. Uniformity	Power Rating (kW)	Motor(s) @ hp	Coil Output (MBH)	Inlet Pressure (PSIG)	Condensate (lbs/hr)	Air Temp. Rise (°F)	Net Wt. (lbs)
CLC08-1036S	34.62	3,567	1,760	1,005	92%	0.32	1 @ 1/5	42.0	5	43.3	40°	67
CLC08-1042S	40.62	3,388	1,755	1,176	93%	0.32	1 @ 1/5	49.7	5	51.2	40°	74
CLC08-1048S	46.62	3,226	1,742	1,340	94%	0.32	1 @ 1/5	57.2	5	58.9	41°	80
CLC08-1060S	58.13	2,940	1,702	1,632	95%	0.32	1 @ 1/5	71.2	5	73.4	42°	94
CLC08-1072S	71.37	2,870	1,707	2,010	95%	0.32	1 @ 1/5	88.1	5	90.8	40°	107
CLC08-2084S	83.50	3,388	1,707	2,351	93%	0.64	2 @ 1/5	103.3	5	106.5	40°	138
CLC08-2096S	95.50	3,226	1,701	2,679	94%	0.64	2 @ 1/5	118.3	5	121.9	40°	152
CLC08-2108S	107.00	3,226	1,684	2,971	94%	0.64	2 @ 1/5	133.1	5	137.2	41°	164
CLC08-2120S	118.50	2,940	1,670	3,263	95%	0.64	2 @ 1/5	146.3	5	150.8	41°	177

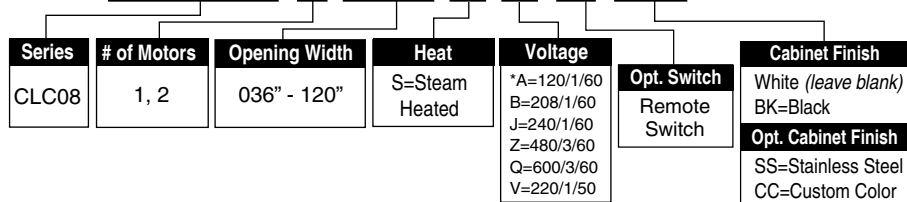
NOTES:

1. Operation at 50 Hz will generate approximately a 17% reduction in performance.
2. Performance data based on unheated units.
3. Coil performance based on 65°F entering air temperature.
4. Standard connection same end supply/return.
5. Coil should be field supplied with a solenoid valve that energizes only when air curtain is energized. Consideration must be taken for freeze protection when necessary.
6. Maximum leaving air temperature shall not exceed 120°F.
7. Consult factory for alternate steam pressures or vertically mounted units.

See sheet EP-104 for amp draws/total load requirements.

MODEL NUMBER CONFIGURATION

CLC08-1 036 S A-R-SS



*Suitable for 50hz for Standard offering, leave options (Opt.) blank make sure to specify Cabinet Finish if other than white

Sound level measured 10' (3m) from the unit in free field:
 1 motor: Low/High Speed: 53/54 dBA
 2 motors: Low/High Speed: 56/57 dBA

Berner reserves the right to alter specifications without prior notice.



COMMERCIAL LOW PROFILE 8

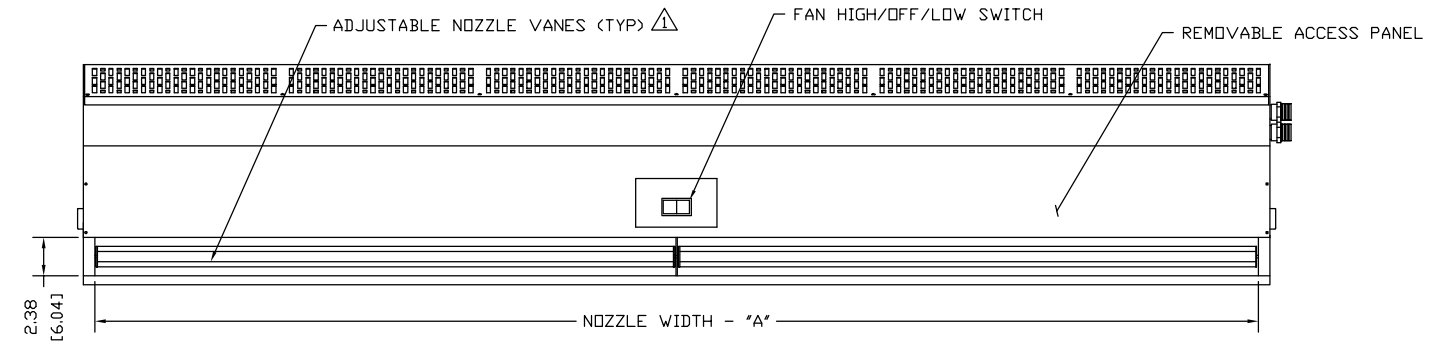
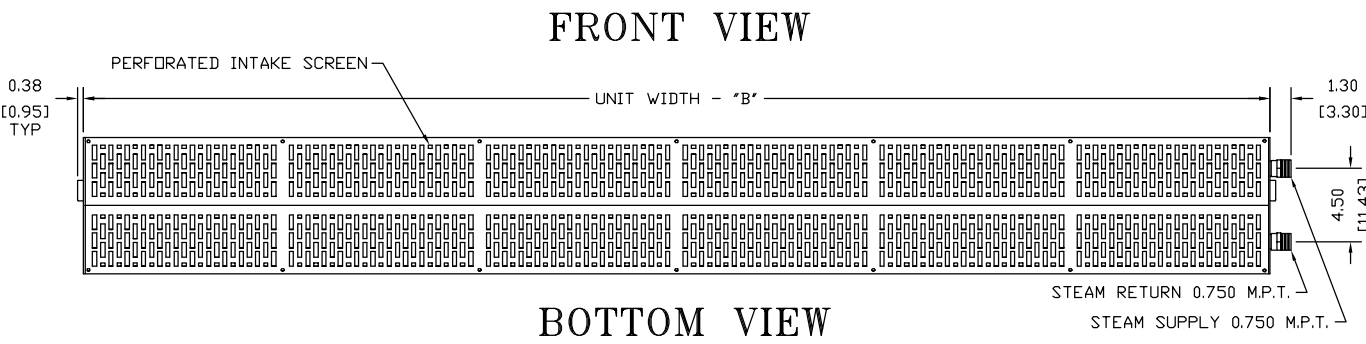
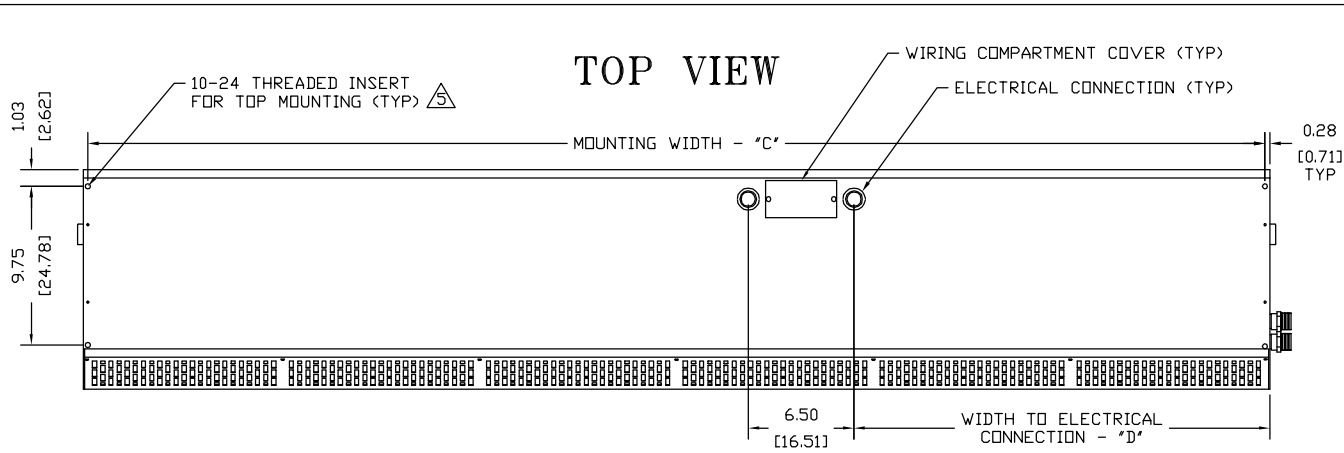
Steam Heated Air Curtain

Electrical Performance Sheet

		120/1/60 (voltage code A) MOTOR AMP DRAW = 3.4 each		208/1/60 (voltage code B) MOTOR AMP DRAW = 1.7 each		240/1/60 (voltage code J) or 220/1/50 (voltage code V) MOTOR AMP DRAW = 1.7 each			
MODEL	# CKTS	AMPS PER CIRCUIT	BREAKER RATING PER CIRCUIT	# CKTS	AMPS PER CIRCUIT	BREAKER RATING PER CIRCUIT	# CKTS	AMPS PER CIRCUIT	BREAKER RATING PER CIRCUIT
CLC08-1036S CLC08-1042S CLC08-1048S CLC08-1060S CLC08-1072S	1	3.4	15	1	1.7	15	1	1.7	15
CLC08-2084S CLC08-2096S CLC08-2108S CLC08-2120S	1	6.8	15	1	3.4	15	1	3.4	15

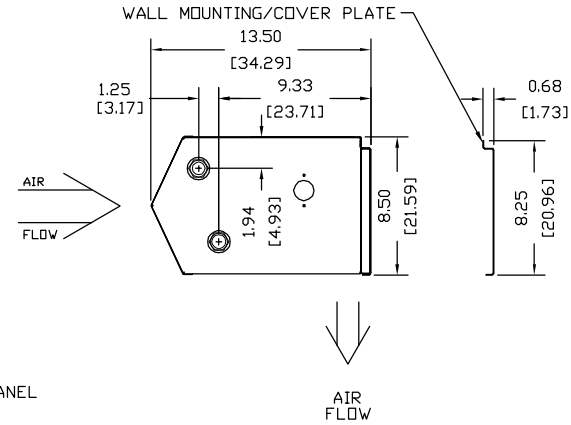
		480/3/60 (voltage code Z) MOTOR AMP DRAW = 0.9 each		600/3/60 (voltage code Q) MOTOR AMP DRAW = 0.6 each		
MODEL	# CKTS	AMPS PER CIRCUIT	BREAKER RATING PER CIRCUIT	# CKTS	AMPS PER CIRCUIT	BREAKER RATING PER CIRCUIT
CLC08-1036S CLC08-1042S CLC08-1048S CLC08-1060S CLC08-1072S	1	0.9	15	1	0.6	15
CLC08-2084S CLC08-2096S CLC08-2108S CLC08-2120S	1	1.8	15	1	1.2	15

Berner reserves the right to alter specifications without prior notice.



CLC08 STEAM HEATED

END VIEW



NOTES:

- ① AIR CURTAIN MUST BE INSTALLED SO AIR STREAM IS NOT OBSTRUCTED WHEN DEFLECTED 20° TO EITHER SIDE OF C.
- ② ELECTRICAL CONNECTIONS TO BE FLEXIBLE.
- ③ FIELD VERIFY DIMENSIONS.
- ④ ANCHORS TO SUPPORTING STRUCTURE BY OTHERS.
- ⑤ ADEQUACY OF SUPPORTING STRUCTURE IS TO BE VERIFIED BY A PROFESSIONAL STRUCTURAL ENGINEER.
- ⑥ LETTER 'S' IN MODEL NUMBER DESIGNATES STEAM HEATED UNIT.
- ⑦ DIMENSIONS IN INCHES [CENTIMETERS].

MODEL ⑥	NOZZLE WIDTH "A"	UNIT WIDTH "B"	MOUNTING WIDTH "C"	ELECTRIC WIDTH "D"
CLC08-1036S	34.62 [87.95]	36.06 [91.60]	35.50 [90.17]	7.13 [18.10]
CLC08-1042S	40.62 [103.17]	42.06 [106.83]	41.50 [105.41]	13.13 [33.34]
CLC08-1048S	46.62 [118.41]	48.06 [122.07]	47.50 [120.65]	13.13 [33.34]
CLC08-1060S	58.13 [147.65]	59.55 [151.26]	59.00 [149.86]	18.88 [47.94]
CLC08-1072S	71.37 [181.28]	72.81 [184.94]	72.25 [183.52]	25.50 [64.80]
CLC08-2084S	83.50 [212.09]	84.94 [215.74]	84.38 [214.31]	13.13 [33.34]
CLC08-2096S	95.50 [242.57]	96.94 [246.23]	96.38 [244.79]	13.13 [33.34]
CLC08-2108S	107.00 [271.78]	108.44 [275.44]	107.88 [274.00]	18.88 [47.94]
CLC08-2120S	118.50 [300.99]	119.94 [304.65]	119.38 [303.21]	18.88 [47.94]

PROJECT		
LOCATION		
ARCHITECT		
ENGINEER		
DWG. NO.	CLC08-STM	TITLE: BERNER
DATE	28MAR2016	MODEL CLC08 AIR CURTAIN
BY	S. Beil	STEAM HEATED SYSTEM
REPLACES	14OCT14	
BY	S. Beil	BERNER INTERNATIONAL CORP. NEW CASTLE, PA.