



HAZARDOUS LOCATION SERIES 12

Ambient (Unheated) Air Curtain

Data Sheet

For Door Heights To 12' (environmental separation) and 10' (insect control)

STANDARD CONSTRUCTION

- Constructed for Class I, Division 1 & 2, Groups C & D
- Constructed for Class II, Division 1 & 2, Groups F & G
- ½ hp explosion proof single speed motor(s) temperature code T3C
- Interior and exterior gray zinc epoxy powder coated aluminized steel cabinet with aluminum screen and access panels
- External mount explosion proof junction box (One per motor)
- Aluminum impellers in a matching housing
- Wall & Top Mounting
- High efficiency Pro-V Nozzle

**5 Year
Limited
Warranty**



MODEL	Nozzle Width (in)	Max Vel. at Nozzle (fpm)	Avg. Outlet Vel. (fpm)	Air Volume (cfm)	Outlet Vel. Uniformity	Power Rating (kW)	Motor(s) @ hp	Net Wt. (lbs)
HLC12-1036A	36.00	5,166	1,728	1,512	87%	0.51	1 @ 1/2	97
HLC12-1042A	42.00	5,550	1,551	1,583	89%	0.52	1 @ 1/2	103
HLC12-1048A	48.00	5,292	1,366	1,594	78%	0.53	1 @ 1/2	108
HLC12-1060A	66.00	5,079	1,019	1,634	74%	0.54	1 @ 1/2	119
HLC12-2060A	66.00	4,781	2,010	2,931	85%	0.99	2 @ 1/2	181
HLC12-2072A	72.00	5,166	1,728	3,024	87%	1.02	2 @ 1/2	190
HLC12-2078A	78.00	5,166	1,633	3,095	87%	1.03	2 @ 1/2	196
HLC12-2084A	84.00	5,550	1,551	3,166	89%	1.04	2 @ 1/2	201
HLC12-2096A	99.00	5,292	1,366	3,188	78%	1.06	2 @ 1/2	211
HLC12-3096A	99.00	4,781	1,846	4,443	85%	1.50	3 @ 1/2	268
HLC12-2108A	108.00	5,079	1,230	3,228	74%	1.07	2 @ 1/2	254
HLC12-3108A	108.00	5,166	1,728	4,536	87%	1.53	3 @ 1/2	311
HLC12-2120A	117.00	5,079	1,149	3,268	74%	1.08	2 @ 1/2	261
HLC12-3120A	117.00	5,166	1,604	4,678	87%	1.55	3 @ 1/2	318
HLC12-3132A	132.00	5,292	1,484	4,760	78%	1.57	3 @ 1/2	339
HLC12-3144A	144.00	5,292	1,366	4,782	78%	1.59	3 @ 1/2	353
HLC12-4144A	144.00	5,166	1,728	6,048	87%	2.04	4 @ 1/2	409
HLC12-4156A	156.00	5,166	1,633	6,190	87%	2.06	4 @ 1/2	425
HLC12-4168A	168.00	5,550	1,551	6,332	89%	2.08	4 @ 1/2	437
HLC12-4180A	180.00	5,292	1,452	6,354	78%	2.10	4 @ 1/2	450
HLC12-5180A	180.00	5,166	1,728	7,560	87%	2.55	5 @ 1/2	507
HLC12-4192A	192.00	5,292	1,366	6,376	78%	2.12	4 @ 1/2	462
HLC12-5192A	192.00	5,292	1,635	7,631	78%	2.56	5 @ 1/2	519

NOTES:

1. Consult factory for 50 Hz operation.
 2. Performance data based on AMCA licensed data from unheated IDC12 units.
 3. Vertically mounted Hazardous Location Series air curtains not available.
- Berner does not recommend HLC12-1060A, HLC12-2108A, and HLC12-2120A, exist only as an equivalent to competitors' models.
See sheet EP-900 for amp draws/total load requirements.

MODEL NUMBER CONFIGURATION

HLC12-1 036 A A

Series	# of Motors	Opening Width	Heat	Voltage
HLC12	1, 2, 3, 4, 5	036" - 192"	A=Ambient	A=120/1/60 B=208/1/60 J=240/1/60 D=208/3/60 E=240/3/60 H=480/3/60 I=600/3/60

VELOCITY PROFILE: Model HLC12-1036A			
Distance from Nozzle (ft)	3	6.5	10
Core Velocity (fpm)	2633	1867	1578

Sound level measured 10' (3m) from the unit in free field:
1, 2, 3, 4 & 5 motor(s): 63 dBA, 66 dBA, 68 dBA, 69 dBA & 70 dBA

Berner reserves the right to alter specifications without prior notice.



HAZARDOUS LOCATION SERIES 12

**Ambient (Unheated) Air Curtain
Electrical Performance Sheet**

MODEL	120/1/60 (voltage code A) MOTOR AMP DRAW = 7.4 each			208/1/60 (voltage code B) MOTOR AMP DRAW = 3.9 each			240/1/60 (voltage code J) MOTOR AMP DRAW = 3.7 each		
	# CKTS	AMPS PER CIRCUIT	BREAKER RATING PER CIRCUIT	# CKTS	AMPS PER CIRCUIT	BREAKER RATING PER CIRCUIT	# CKTS	AMPS PER CIRCUIT	BREAKER RATING PER CIRCUIT
HLC12-1036A HLC12-1042A HLC12-1048A HLC12-1060A	1	7.4	15	1	3.9	15	1	3.7	15
HLC12-2060A HLC12-2072A HLC12-2078A HLC12-2084A HLC12-2096A HLC12-2108A HLC12-2120A	1	14.8	20	1	7.8	15	1	7.4	15
HLC12-3096A HLC12-3108A HLC12-3120A HLC12-3132A HLC12-3144A	1	22.2	30	1	11.7	15	1	11.1	15
HLC12-4144A HLC12-4156A HLC12-4168A HLC12-4180A HLC12-4192A	1	29.6	40	1	15.6	20	1	14.8	20
HLC12-5180A HLC12-5192A	1	37.0	50	1	19.5	25	1	18.5	25

Berner reserves the right to alter specifications without prior notice.



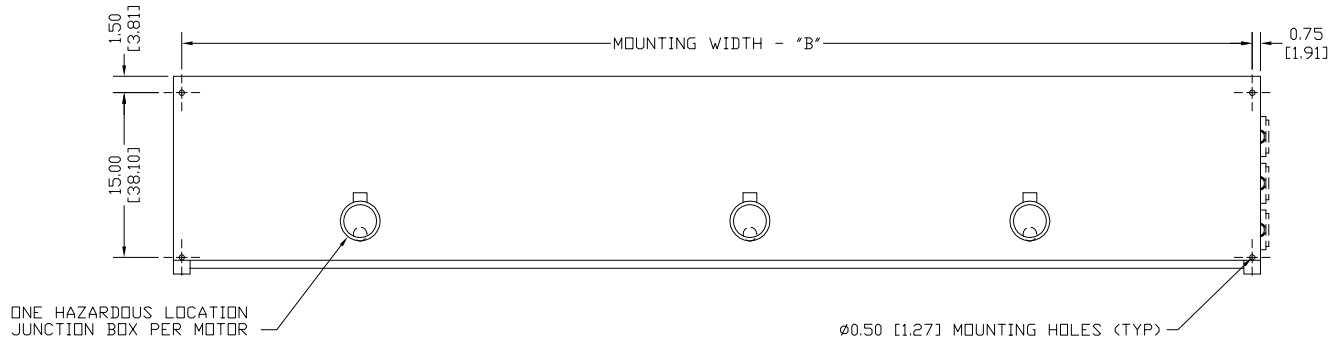
HAZARDOUS LOCATION SERIES 12

**Ambient (Unheated) Air Curtain
Electrical Performance Sheet**

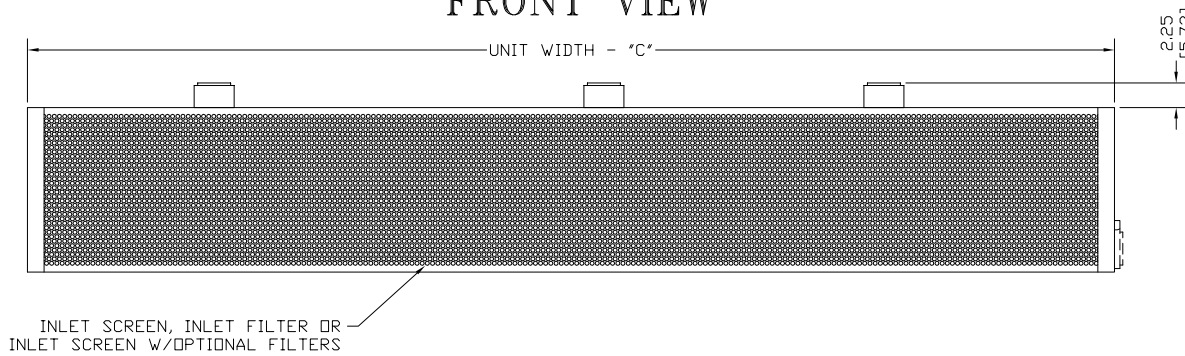
MODEL	208/3/60 (voltage code D) MOTOR AMP DRAW = 3.0 each			240/3/60 (voltage code E) MOTOR AMP DRAW = 2.8 each			480/3/60 (voltage code H) MOTOR AMP DRAW = 1.4 each			600/3/60 (voltage code I) MOTOR AMP DRAW = 0.9 each		
	# CKTS	AMPS PER CIRCUIT	BREAKER RATING PER CIRCUIT	# CKTS	AMPS PER CIRCUIT	BREAKER RATING PER CIRCUIT	# CKTS	AMPS PER CIRCUIT	BREAKER RATING PER CIRCUIT	# CKTS	AMPS PER CIRCUIT	BREAKER RATING PER CIRCUIT
HLC12-1036A HLC12-1042A HLC12-1048A HLC12-1060A	1	3.0	15	1	2.8	15	1	1.4	15	1	0.9	15
HLC12-2060A HLC12-2072A HLC12-2078A HLC12-2084A HLC12-2096A HLC12-2108A HLC12-2120A	1	6.0	15	1	5.6	15	1	2.8	15	1	1.8	15
HLC12-3096A HLC12-3108A HLC12-3120A HLC12-3132A HLC12-3144A	1	9.0	15	1	8.4	15	1	4.2	15	1	2.7	15
HLC12-4144A HLC12-4156A HLC12-4168A HLC12-4180A HLC12-4192A	1	12.0	15	1	11.2	15	1	5.6	15	1	3.6	15
HLC12-5180A HLC12-5192A	1	15.0	20	1	14.0	20	1	7.0	15	1	5.6	15

Berner reserves the right to alter specifications without prior notice.

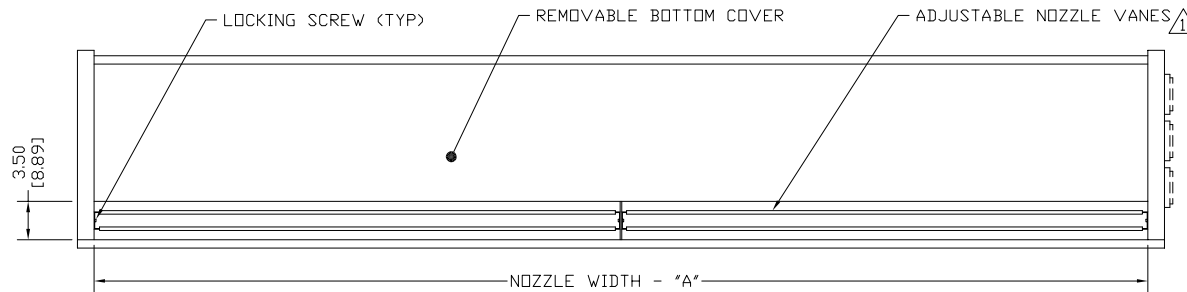
TOP VIEW



FRONT VIEW



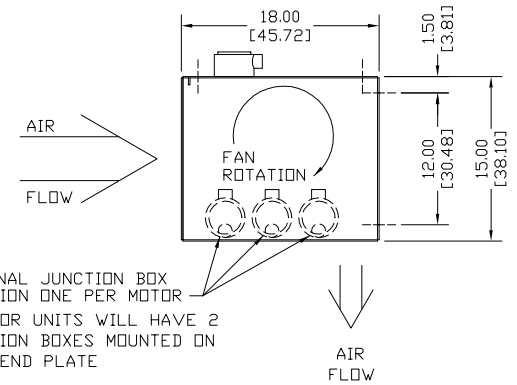
BOTTOM VIEW



MODEL	NOZZLE WIDTH "A"	MOUNTING WIDTH "B"	UNIT WIDTH "C"
HLC12-1036A	36.00 [91.44]	37.50 [95.25]	39.00 [99.06]
HLC12-1042A	42.00 [106.68]	43.50 [110.49]	45.00 [114.30]
HLC12-1048A	48.00 [121.92]	49.50 [125.73]	51.00 [129.54]
HLC12-1060A/2060A	66.00 [167.64]	67.50 [171.45]	69.00 [175.26]
HLC12-2072A	72.00 [182.88]	73.50 [186.69]	75.00 [190.50]
HLC12-2078A	78.00 [192.12]	79.50 [201.93]	81.00 [205.74]
HLC12-2084A	84.00 [213.36]	85.50 [217.17]	87.00 [220.98]
HLC12-2096A/3096A	99.00 [251.46]	100.50 [255.27]	102.00 [259.08]
HLC12-2108A/3108A	108.00 [274.32]	109.50 [278.13]	111.00 [281.94]
HLC12-2120A/3120A	117.00 [297.18]	118.50 [300.99]	120.00 [304.80]
HLC12-3132A	132.00 [335.28]	133.50 [339.09]	135.00 [342.90]
HLC12-3144A/4144A	144.00 [365.76]	145.50 [369.57]	147.00 [373.38]

HLC12 AMBIENT SYSTEM HAZARDOUS LOCATION

END VIEW

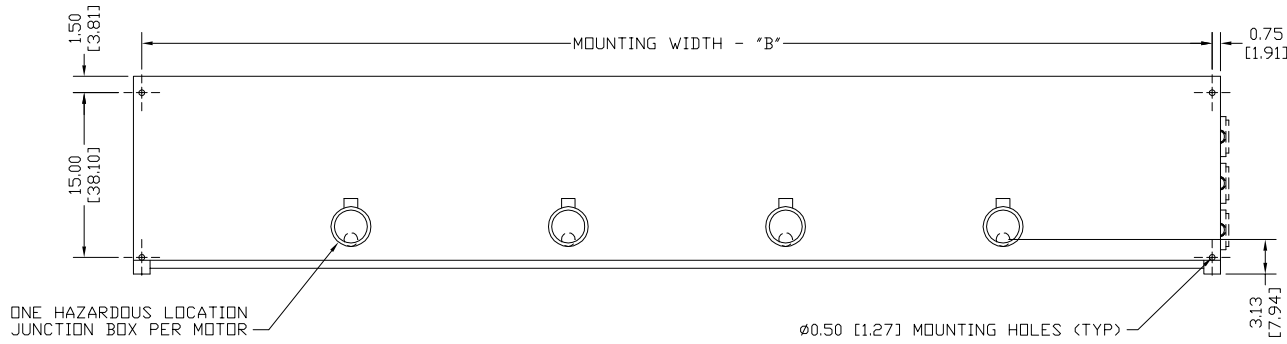


NOTES:

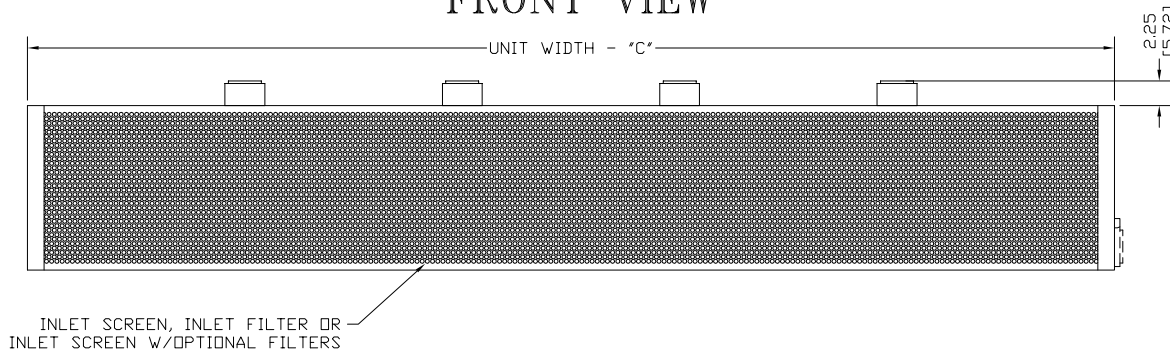
- ① AIR CURTAIN MUST BE INSTALLED SO AIR STREAM IS NOT OBSTRUCTED WHEN DEFLECTED 20° TO EITHER SIDE OF C.
- ② ELECTRICAL CONNECTIONS TO BE FLEXIBLE.
- ③ FIELD VERIFY DIMENSIONS.
- ④ ANCHORS TO SUPPORTING STRUCTURE BY OTHERS.
- ⑤ ADEQUACY OF SUPPORTING STRUCTURE IS TO BE VERIFIED BY A PROFESSIONAL STRUCTURAL ENGINEER.
- ⑥ LETTER "A" IN MODEL NUMBER DESIGNATES, AMBIENT UNIT.
- ⑦ REMOTE OPTIONAL CONTROL PANEL AVAILABLE; NEMA 4/12 FOR NON HAZARDOUS LOCATION MOUNTING; NEMA 7/9 FOR HAZARDOUS LOCATION MOUNTING. PLEASE SPECIFY.
- ⑧ DIMENSIONS IN INCHES [CENTIMETERS].

PROJECT		
LOCATION		
ARCHITECT		
ENGINEER		
DWG. NO.	HLC12-AMBI	TITLE: BERNER
DATE	16 JUNE 14	MODEL HLC12 AIR CURTAIN
BY	S. Beil	HAZARDOUS LOCATION AMBIENT SYSTEM
REPLACES	-	BERNER INTERNATIONAL CORP. NEW CASTLE, PA.
BY	-	

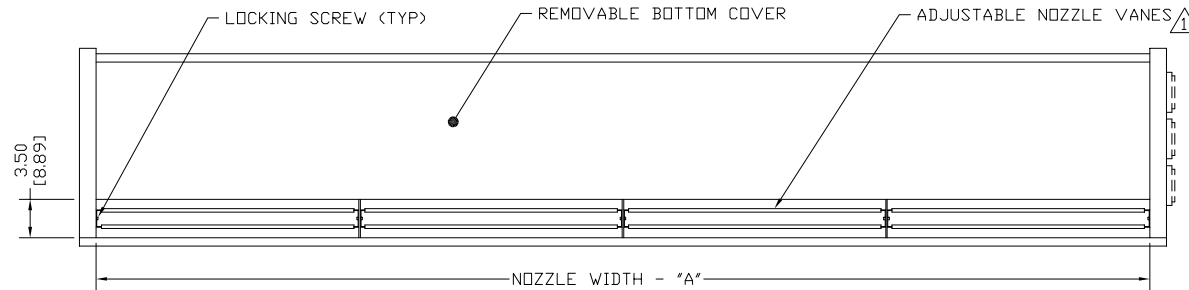
TOP VIEW



FRONT VIEW



BOTTOM VIEW



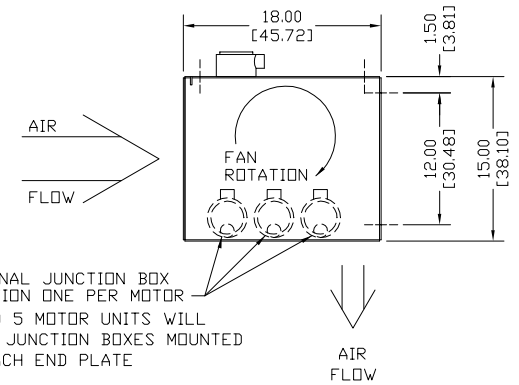
MODEL	NOZZLE WIDTH "A"	MOUNTING WIDTH "B"	UNIT WIDTH "C"
HLC12-4156A	156.00 [396.24]	157.50 [400.05]	159.00 [403.86]
HLC12-4168A	168.00 [426.72]	169.50 [430.53]	171.00 [434.34]
HLC12-4180A/5180A	180.00 [457.20]	181.50 [461.01]	183.00 [464.82]
HLC12-4192A/5192A	192.00 [487.68]	193.50 [491.49]	195.00 [495.30]

HLC12

AMBIENT SYSTEM

HAZARDOUS LOCATION

END VIEW



NOTES:

- 1 AIR CURTAIN MUST BE INSTALLED SO AIR STREAM IS NOT OBSTRUCTED WHEN DEFLECTED 20° TO EITHER SIDE OF C.
- 2 ELECTRICAL CONNECTIONS TO BE FLEXIBLE.
- 3 FIELD VERIFY DIMENSIONS.
- 4 ANCHORS TO SUPPORTING STRUCTURE BY OTHERS.
- 5 ADEQUACY OF SUPPORTING STRUCTURE IS TO BE VERIFIED BY A PROFESSIONAL STRUCTURAL ENGINEER.
- 6 LETTER "A" IN MODEL NUMBER DESIGNATES, AMBIENT UNIT.
- 7 REMOTE OPTIONAL CONTROL PANEL AVAILABLE; NEMA 4/12 FOR NON HAZARDOUS LOCATION MOUNTING; NEMA 7/9 FOR HAZARDOUS LOCATION MOUNTING. PLEASE SPECIFY.
- 8 DIMENSIONS IN INCHES [CENTIMETERS].

PROJECT		
LOCATION		
ARCHITECT		
ENGINEER		
DWG. NO.	HLC12-AMB2	TITLE: BERNER
DATE	16 JUNE 14	MODEL HLC12 AIR CURTAIN
BY	S. Beil	HAZARDOUS LOCATION AMBIENT SYSTEM
REPLACES	-	
BY	-	BERNER INTERNATIONAL CORP. NEW CASTLE, PA.