



HAZARDOUS LOCATION SERIES 12

Steam Heated Air Curtain

Data Sheet

For Door Heights To 12' (environmental separation)

STANDARD CONSTRUCTION

- Constructed for Class I, Division 1 & 2, Groups C & D
- ½ hp explosion proof single speed motor(s) temperature code T3C
- Interior and exterior gray zinc epoxy powder coated aluminized steel cabinet with aluminum screen and access panels
- External mount explosion proof junction box (One per motor)
- Aluminum impellers in a matching housing
- Wall & Top Mounting
- High efficiency Pro-V Nozzle

- Coil Features:
 - Aluminum casing
 - 5/8" copper tube with .035" wall
 - Aluminum fins
 - Leak tested at 450 psi

NOTES:

- NO VERTICAL MOUNTING
- For construction other than standard, Consult Factory

**2 Year
Limited
Warranty**



MODEL	Nozzle Width (in)	Max Vel. at Nozzle (fpm)	Avg. Outlet Vel. (fpm)	Air Volume (cfm)	Outlet Vel. Uniformity	Power Rating (kW)	Motor(s) @ hp	Coil Output (MBH)	Inlet Pressure (PSIG)	Condensate (lbs/hr)	Air Temp. Rise (°F)	Net Wt. (lbs)
HLC12-1036S	36.00	5,166	1,728	1,512	87%	0.51	1 @ 1/2	63.6	5	65.6	38°	137
HLC12-1042S	42.00	5,550	1,551	1,583	89%	0.52	1 @ 1/2	69.8	5	71.9	40°	147
HLC12-1048S	48.00	5,292	1,366	1,594	78%	0.53	1 @ 1/2	74.2	5	76.4	43°	157
HLC12-1060S	66.00	5,079	1,019	1,634	74%	0.54	1 @ 1/2	85.6	5	88.2	48°	178
HLC12-2060S	66.00	4,781	2,010	2,931	85%	0.99	2 @ 1/2	120.3	5	124.0	38°	240
HLC12-2072S	72.00	5,166	1,728	3,024	87%	1.02	2 @ 1/2	127.2	5	131.1	38°	252
HLC12-2078S	78.00	5,166	1,633	3,095	87%	1.03	2 @ 1/2	133.5	5	137.6	39°	262
HLC12-2084S	84.00	5,550	1,551	3,166	89%	1.04	2 @ 1/2	139.6	5	143.9	40°	271
HLC12-2096S	99.00	5,292	1,366	3,188	78%	1.06	2 @ 1/2	150.2	5	154.9	43°	290
HLC12-3096S	99.00	4,781	1,846	4,443	85%	1.50	3 @ 1/2	181.5	5	187.0	37°	347
HLC12-2108S	108.00	5,079	1,230	3,228	74%	1.07	2 @ 1/2	156.9	5	161.7	44°	338
HLC12-3108S	108.00	5,166	1,728	4,536	87%	1.53	3 @ 1/2	190.8	5	196.7	38°	395
HLC12-2120S	117.00	5,079	1,149	3,268	74%	1.08	2 @ 1/2	163.2	5	168.2	46°	351
HLC12-3120S	117.00	5,166	1,604	4,678	87%	1.55	3 @ 1/2	201.1	5	207.2	39°	408
HLC12-3132S	132.00	5,292	1,484	4,760	78%	1.57	3 @ 1/2	213.9	5	220.5	41°	440
HLC12-3144S	144.00	5,292	1,366	4,782	78%	1.59	3 @ 1/2	222.5	5	229.3	43°	461
HLC12-4144S	144.00	5,166	1,728	6,048	87%	2.04	4 @ 1/2	254.4	5	262.2	38°	517
HLC12-4156S	156.00	5,166	1,633	6,190	87%	2.06	4 @ 1/2	266.9	5	275.1	39°	541
HLC12-4168S	168.00	5,550	1,551	6,332	89%	2.08	4 @ 1/2	279.2	5	287.8	40°	560
HLC12-4180S	180.00	5,292	1,452	6,354	78%	2.10	4 @ 1/2	288.1	5	297.0	41°	582
HLC12-5180S	180.00	5,166	1,728	7,560	87%	2.55	5 @ 1/2	318.0	5	327.8	38°	639
HLC12-4192S	192.00	5,292	1,366	6,376	78%	2.12	4 @ 1/2	296.7	5	305.8	43°	601
HLC12-5192S	192.00	5,292	1,635	7,631	78%	2.56	5 @ 1/2	328.8	5	338.9	39°	658

NOTES:

1. Performance data based on AMCA licensed data from unheated IDC12 units.
2. Coil performance based on 65°F entering air temperature.
3. Standard connection same end supply/return (Optional: opposite end supply/return).
4. Coil should be field supplied with a solenoid valve that energizes only when air curtain is energized. Consideration must be taken for freeze protection when necessary.
5. Maximum leaving air temperature shall not exceed 120°F.
6. Consult factory for 50 Hz operation, alternate steam pressures and opposite end supply/return connections performance data.
7. Vertically mounted Hazardous Location Series air curtains not available.

See sheet EP-904 for amp draws/total load requirements.

MODEL NUMBER CONFIGURATION

HLC12-1 036 S A

Series	# of Motors	Opening Width	Heat	Voltage
HLC12	1, 2, 3, 4, 5	036" - 192"	S=Steam Heated	A=120/1/60 B=208/1/60 J=240/1/60 D=208/3/60 E=240/3/60 H=480/3/60 I=600/3/60

Sound level measured 10' (3m) from the unit in free field:
1, 2, 3, 4 & 5 motor(s): 63 dBA, 66 dBA, 68 dBA, 69 dBA & 70 dBA

Berner reserves the right to alter specifications without prior notice.

www.berner.com **Berner International** 800.245.4455
111 Progress Ave. / New Castle / PA / 16101 / USA

DS-904
December, 2023



HAZARDOUS LOCATION SERIES 12

Steam Heated Air Curtain Electrical Performance Sheet

MODEL	120/1/60 (voltage code A) MOTOR AMP DRAW = 7.4 each			208/1/60 (voltage code B) MOTOR AMP DRAW = 3.9 each			240/1/60 (voltage code J) MOTOR AMP DRAW = 3.7 each		
	# CKTS	AMPS PER CIRCUIT	BREAKER RATING PER CIRCUIT	# CKTS	AMPS PER CIRCUIT	BREAKER RATING PER CIRCUIT	# CKTS	AMPS PER CIRCUIT	BREAKER RATING PER CIRCUIT
HLC12-1036S HLC12-1042S HLC12-1048S HLC12-1060S	1	7.4	15	1	3.9	15	1	3.7	15
HLC12-2060S HLC12-2072S HLC12-2078S HLC12-2084S HLC12-2096S HLC12-2108S HLC12-2120S	1	14.8	20	1	7.8	15	1	7.4	15
HLC12-3096S HLC12-3108S HLC12-3120S HLC12-3132S HLC12-3144S	1	22.2	30	1	11.7	15	1	11.1	15
HLC12-4144S HLC12-4156S HLC12-4168S HLC12-4180S HLC12-4192S	1	29.6	40	1	15.6	20	1	14.8	20
HLC12-5180S HLC12-5192S	1	37.0	50	1	19.5	25	1	18.5	25

Berner reserves the right to alter specifications without prior notice.



HAZARDOUS LOCATION SERIES 12

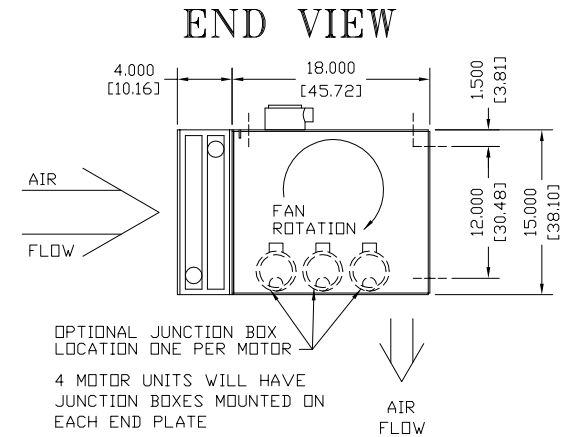
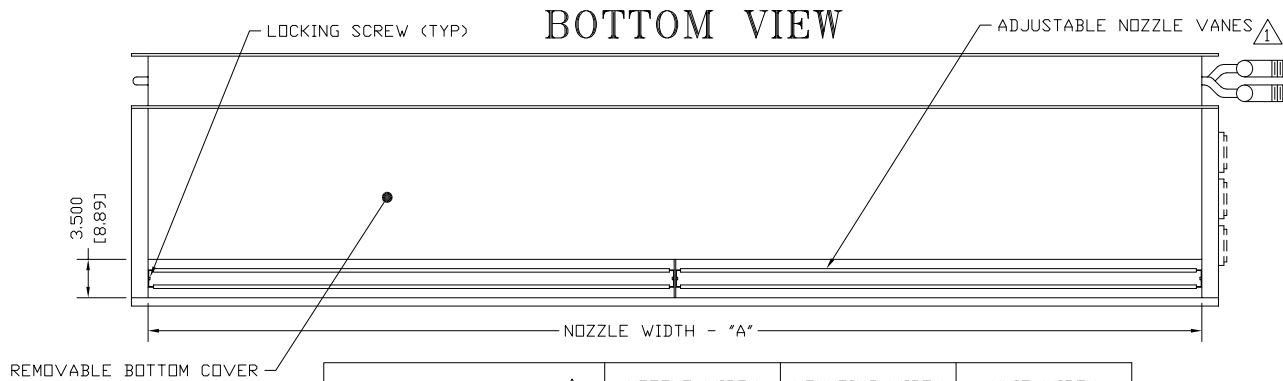
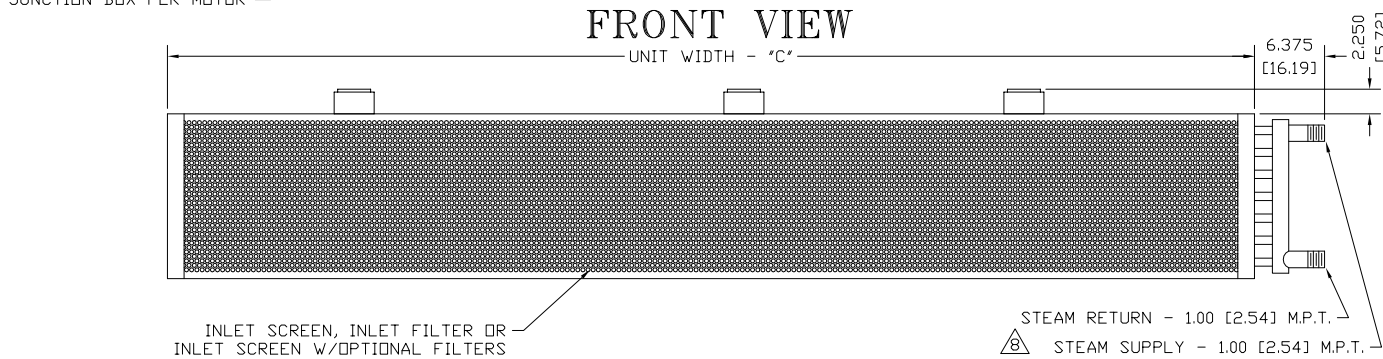
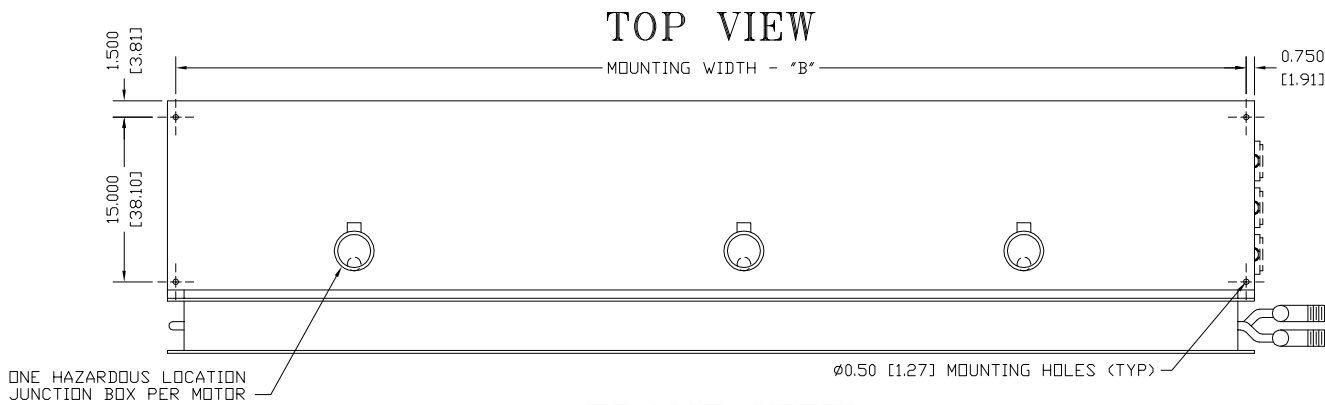
Steam Heated Air Curtain

Electrical Performance Sheet

MODEL	208/3/60 (voltage code D) MOTOR AMP DRAW = 3.0 each			240/3/60 (voltage code E) MOTOR AMP DRAW = 2.8 each			480/3/60 (voltage code H) MOTOR AMP DRAW = 1.4 each			600/3/60 (voltage code I) MOTOR AMP DRAW = 0.9 each		
	# CKTS	AMPS PER CIRCUIT	BREAKER RATING PER CIRCUIT	# CKTS	AMPS PER CIRCUIT	BREAKER RATING PER CIRCUIT	# CKTS	AMPS PER CIRCUIT	BREAKER RATING PER CIRCUIT	# CKTS	AMPS PER CIRCUIT	BREAKER RATING PER CIRCUIT
HLC12-1036S HLC12-1042S HLC12-1048S HLC12-1060S	1	3.0	15	1	2.8	15	1	1.4	15	1	0.9	15
HLC12-2060S HLC12-2072S HLC12-2078S HLC12-2084S HLC12-2096S HLC12-2108S HLC12-2120S	1	6.0	15	1	5.6	15	1	2.8	15	1	1.8	15
HLC12-3096S HLC12-3108S HLC12-3120S HLC12-3132S HLC12-3144S	1	9.0	15	1	8.4	15	1	4.2	15	1	2.7	15
HLC12-4144S HLC12-4156S HLC12-4168S HLC12-4180S HLC12-4192S	1	12.0	15	1	11.2	15	1	5.6	15	1	3.6	15
HLC12-5180S HLC12-5192S	1	15.0	20	1	14.0	20	1	7.0	15	1	5.6	15

HLC12

STEAM HEATED HAZARDOUS LOCATION



NOTES:

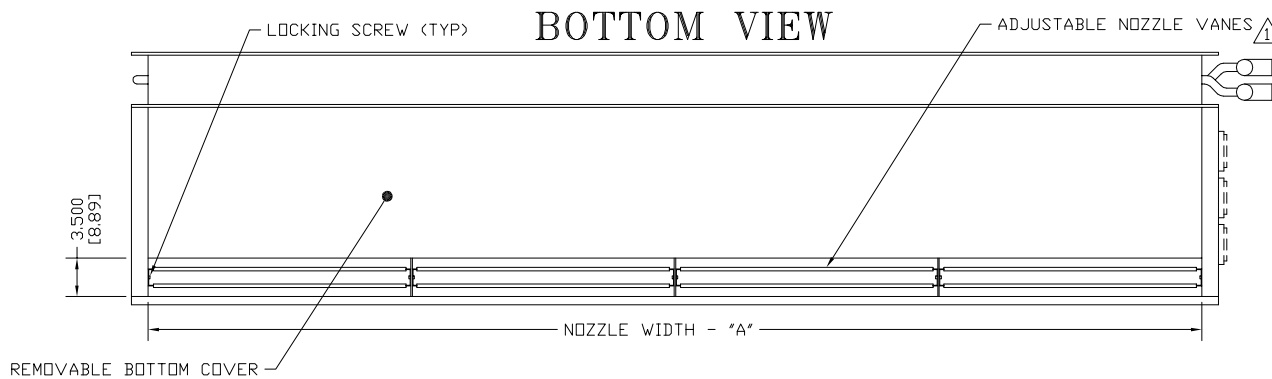
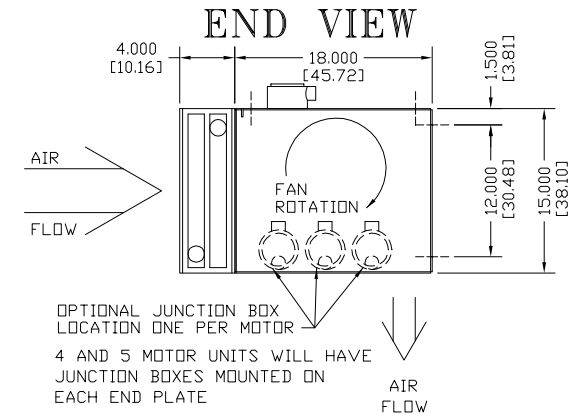
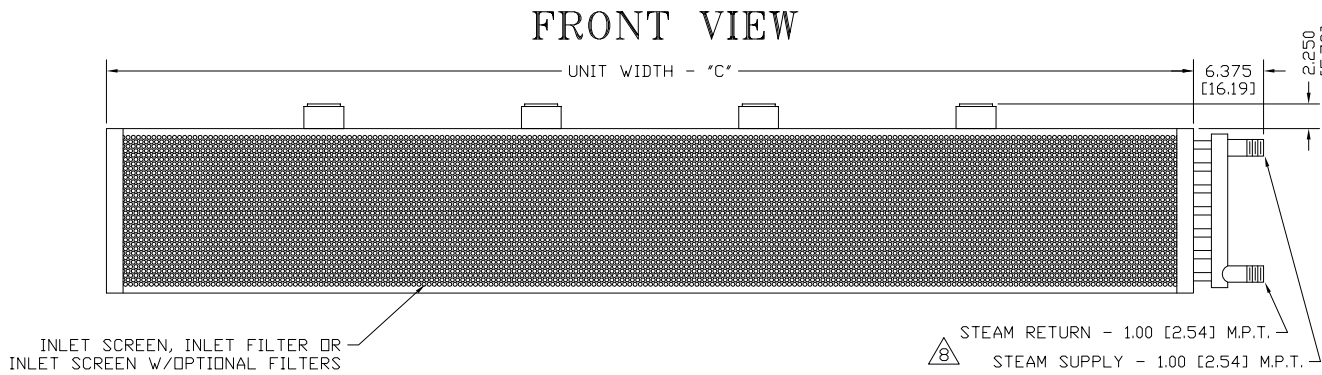
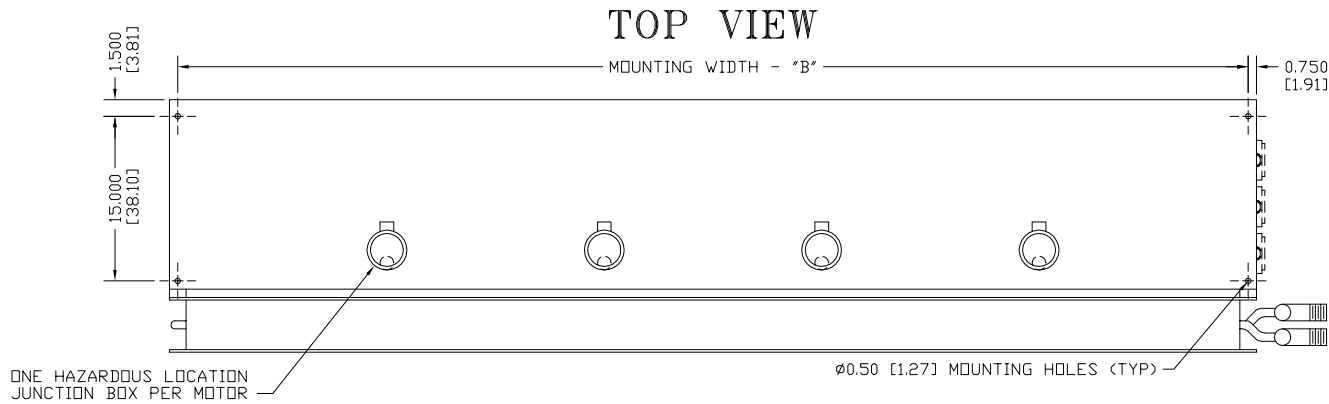
1. AIR CURTAIN MUST BE INSTALLED SO AIR STREAM IS NOT OBSTRUCTED WHEN DEFLECTED 20° TO EITHER SIDE OF C.
2. ELECTRICAL CONNECTIONS TO BE FLEXIBLE.
3. FIELD VERIFY DIMENSIONS.
4. ANCHORS TO SUPPORTING STRUCTURE BY OTHERS.
5. ADEQUACY OF SUPPORTING STRUCTURE IS TO BE VERIFIED BY A PROFESSIONAL STRUCTURAL ENGINEER.
6. LETTER "S" IN MODEL NUMBER DESIGNATES STEAM HEATED UNIT.
7. REMOTE OPTIONAL CONTROL PANEL AVAILABLE: NEMA 4/12 FOR NON HAZARDOUS LOCATION MOUNTING; NEMA 7/9 FOR HAZARDOUS LOCATION MOUNTING. PLEASE SPECIFY.
8. COIL CONNECTIONS AS SHOWN, OPPOSITE AND SAME END CONNECTIONS AVAILABLE, PLEASE SPECIFY.
9. DIMENSIONS IN INCHES (CENTIMETERS).

MODEL	1	NOZZLE WIDTH "A"	MOUNTING WIDTH "B"	UNIT WIDTH "C"
HLC12-1036S		36.00 [91.44]	37.50 [95.25]	39.00 [99.06]
HLC12-1042S		42.00 [106.68]	43.50 [110.49]	45.00 [114.30]
HLC12-1048S		48.00 [121.92]	49.50 [125.73]	51.00 [129.54]
HLC12-1060S/2060S		66.00 [167.64]	67.50 [171.45]	69.00 [175.26]
HLC12-2072S		72.00 [182.88]	73.50 [186.69]	75.00 [190.50]
HLC12-2078S		78.00 [192.12]	79.50 [201.93]	81.00 [205.74]
HLC12-2084S		84.00 [213.36]	85.50 [217.17]	87.00 [220.98]
HLC12-2096S/3096S		99.00 [251.46]	100.50 [255.27]	102.00 [259.08]
HLC12-2108S/3108S		108.00 [274.32]	109.50 [278.13]	111.00 [281.94]
HLC12-2120S/3120S		117.00 [297.18]	118.50 [300.99]	120.00 [304.80]
HLC12-3132S		132.00 [335.28]	133.50 [339.09]	135.00 [342.90]
HLC12-3144S/4144S		144.00 [365.76]	145.50 [369.57]	147.00 [373.38]

PROJECT		
LOCATION		
ARCHITECT		
ENGINEER		
DWG. NO.	HLC12-STMI	TITLE: BERNER
DATE	16 JUNE 14	MODEL HLC12 AIR CURTAIN
BY	S. Beil	HAZARDOUS LOCATION STEAM HEATED SYSTEM
REPLACES	-	
BY	-	BERNER INTERNATIONAL CORP. NEW CASTLE, PA.

HLC12

STEAM HEATED HAZARDOUS LOCATION



MODEL	NOZZLE WIDTH "A"	MOUNTING WIDTH "B"	UNIT WIDTH "C"
HLC12-4156S	156.00 [396.24]	157.50 [400.05]	159.00 [403.86]
HLC12-4168S	168.00 [426.72]	169.50 [430.53]	171.00 [434.34]
HLC12-4180S/5180S	180.00 [457.20]	181.50 [461.01]	183.00 [464.82]
HLC12-4192S/5192S	192.00 [487.68]	193.50 [491.49]	195.00 [495.30]

NOTES:

- 1 AIR CURTAIN MUST BE INSTALLED SO AIR STREAM IS NOT OBSTRUCTED WHEN DEFLECTED 20° TO EITHER SIDE OF CURTAIN.
- 2 ELECTRICAL CONNECTIONS TO BE FLEXIBLE.
- 3 FIELD VERIFY DIMENSIONS.
- 4 ANCHORS TO SUPPORTING STRUCTURE BY OTHERS.
- 5 ADEQUACY OF SUPPORTING STRUCTURE IS TO BE VERIFIED BY A PROFESSIONAL STRUCTURAL ENGINEER.
- 6 LETTER "S" IN MODEL NUMBER DESIGNATES STEAM HEATED UNIT.
- 7 REMOTE OPTIONAL CONTROL PANEL AVAILABLE: NEMA 4/12 FOR NON HAZARDOUS LOCATION MOUNTING; NEMA 7/9 FOR HAZARDOUS LOCATION MOUNTING. PLEASE SPECIFY.
- 8 COIL CONNECTIONS AS SHOWN, OPPOSITE AND SAME END CONNECTIONS AVAILABLE, PLEASE SPECIFY.
- 9 DIMENSIONS IN INCHES (CENTIMETERS).

PROJECT		
LOCATION		
ARCHITECT		
ENGINEER		
DWG. NO.	HLC12-STM2	TITLE: BERNER
DATE	16 JUNE 14	MODEL HLC12 AIR CURTAIN
BY	S. Beil	HAZARDOUS LOCATION STEAM HEATED SYSTEM
REPLACES	-	BERNER INTERNATIONAL CORP. NEW CASTLE, PA.
BY	-	