



HAZARDOUS LOCATION SERIES 14

Ambient (Unheated) Air Curtain

Data Sheet

For Door Heights To 14' (environmental separation) and 12' (insect control)

STANDARD CONSTRUCTION

- Constructed for Class I, Division 1 & 2, Groups C & D
- Constructed for Class II, Division 1 & 2, Groups F & G
- 1 hp explosion proof single speed motor(s) temperature code T3C
- Interior and exterior gray zinc epoxy powder coated aluminized steel cabinet with aluminum screen and access panels
- External mount explosion proof junction box (One per motor)
- Aluminum impellers in a matching housing
- Wall & Top Mounting
- High efficiency Pro-V Nozzle

**5 Year
Limited
Warranty**



MODEL	Nozzle Width (in)	Max Vel. at Nozzle (fpm)	Avg. Outlet Vel. (fpm)	Air Volume (cfm)	Outlet Vel. Uniformity	Power Rating (kW)	Motor(s) @ hp	Net Wt. (lbs)
HLC14-1036A	36.00	7,567	2,738	2,396	87%	1.12	1 @ 1	111
HLC14-1042A	42.00	7,040	2,435	2,486	81%	1.12	1 @ 1	117
HLC14-1048A	48.00	7,175	2,173	2,535	84%	1.25	1 @ 1	122
HLC14-1060A	66.00	6,886	1,620	2,598	80%	1.28	1 @ 1	133
HLC14-2060A	66.00	7,520	3,136	4,574	97%	2.07	2 @ 1	209
HLC14-2072A	72.00	7,567	2,738	4,792	87%	2.24	2 @ 1	218
HLC14-2078A	78.00	7,040	2,575	4,882	81%	2.24	2 @ 1	224
HLC14-2084A	84.00	7,040	2,435	4,972	81%	2.24	2 @ 1	229
HLC14-2096A	99.00	7,175	2,173	5,070	84%	2.50	2 @ 1	239
HLC14-3096A	99.00	7,567	2,987	6,970	87%	3.19	3 @ 1	310
HLC14-2108A	108.00	6,886	1,956	5,133	80%	2.53	2 @ 1	282
HLC14-3108A	108.00	7,567	2,738	7,188	87%	3.36	3 @ 1	353
HLC14-2120A	117.00	6,886	1,827	5,197	80%	2.56	2 @ 1	289
HLC14-3120A	117.00	7,040	2,526	7,368	81%	3.36	3 @ 1	360
HLC14-3132A	132.00	7,040	2,340	7,507	81%	3.49	3 @ 1	381
HLC14-3144A	144.00	7,175	2,173	7,605	84%	3.75	3 @ 1	395
HLC14-4144A	144.00	7,567	2,738	9,584	87%	4.48	4 @ 1	465
HLC14-4156A	156.00	7,040	2,575	9,764	81%	4.48	4 @ 1	481
HLC14-4168A	168.00	7,040	2,435	9,944	81%	4.48	4 @ 1	493
HLC14-4180A	180.00	7,040	2,295	10,042	81%	4.74	4 @ 1	506
HLC14-5180A	180.00	7,567	2,738	11,980	87%	5.60	5 @ 1	577
HLC14-4192A	192.00	7,175	2,173	10,140	84%	5.00	4 @ 1	518
HLC14-5192A	192.00	7,175	2,580	12,040	84%	5.69	5 @ 1	589

NOTES:

1. Consult factory for 50 Hz operation.
 2. Performance data based on AMCA licensed data from unheated IDC14 units.
 3. Vertically mounted Hazardous Location Series air curtains not available.
- Berner does not recommend HLC14-1060A, HLC14-2108A, and HLC14-2120A, exist only as an equivalent to competitors' models.

See sheet EP-910 for amp draws/total load requirements.

MODEL NUMBER CONFIGURATION

HLC14-1 036 A A

Series	# of Motors	Opening Width	Heat	Voltage
HLC14	1, 2, 3, 4, 5	036" - 192"	A=Ambient	A=120/1/60 B=208/1/60 J=240/1/60 D=208/3/60 E=240/3/60 H=480/3/60 I=600/3/60

VELOCITY PROFILE: Model HLC14-1036A

Distance from Nozzle (ft)	3	6.5	10
Core Velocity (fpm)	3822	2467	2133

Sound level measured 10' (3m) from the unit in free field:
1, 2, 3, 4 & 5 motor(s): 66 dBA, 69 dBA, 71 dBA, 72 dBA & 73 dBA

Berner reserves the right to alter specifications without prior notice.



HAZARDOUS LOCATION SERIES 14

Ambient (Unheated) Air Curtain Electrical Performance Sheet

MODEL	# CKTS	120/1/60 (voltage code A) MOTOR AMP DRAW = 16.6 each		# CKTS	208/1/60 (voltage code B) MOTOR AMP DRAW = 7.5 each		# CKTS	240/1/60 (voltage code J) MOTOR AMP DRAW = 8.3 each	
		AMPS PER CIRCUIT	BREAKER RATING PER CIRCUIT		AMPS PER CIRCUIT	BREAKER RATING PER CIRCUIT		AMPS PER CIRCUIT	BREAKER RATING PER CIRCUIT
HLC14-1036A HLC14-1042A HLC14-1048A HLC14-1060A	1	16.6	35	1	7.5	15	1	8.3	15
HLC14-2060A HLC14-2072A HLC14-2078A HLC14-2084A HLC14-2096A HLC14-2108A HLC14-2120A	1	33.2	50	1	15.0	20	1	16.6	20
HLC14-3096A HLC14-3108A HLC14-3120A HLC14-3132A HLC14-3144A	1	49.8	70	1	22.5	30	1	24.9	35
HLC14-4144A HLC14-4156A HLC14-4168A HLC14-4180A HLC14-4192A	1	66.4	100	1	30.0	40	1	33.2	45
HLC14-5180A HLC14-5192A	1	83.0	125	1	37.5	50	1	41.5	60

Berner reserves the right to alter specifications without prior notice.



HAZARDOUS LOCATION SERIES 14

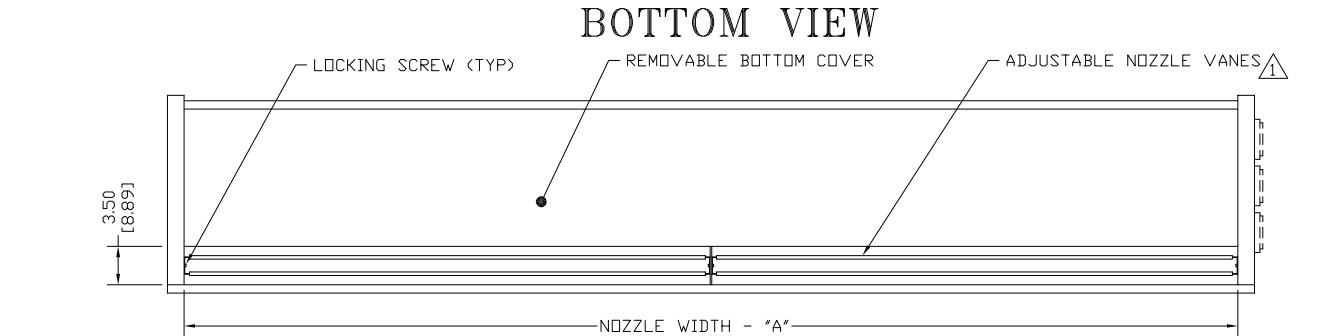
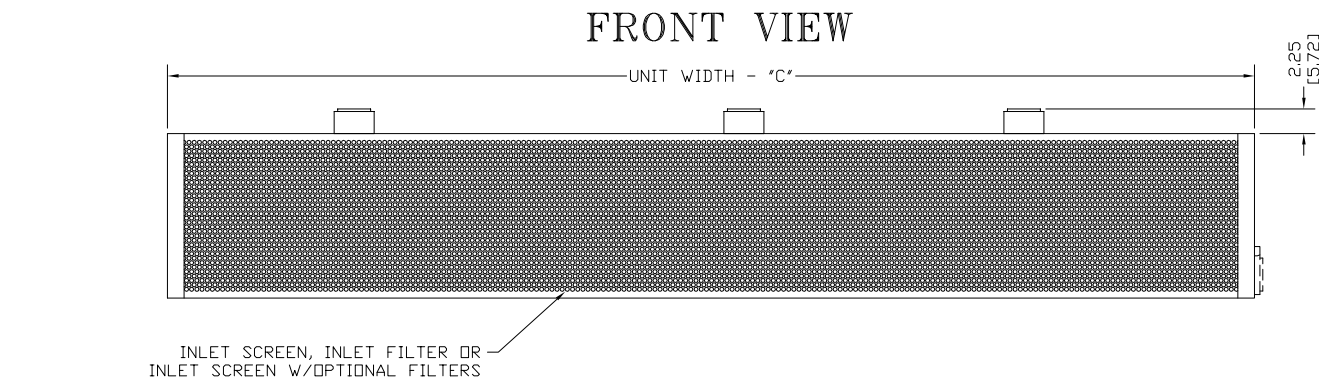
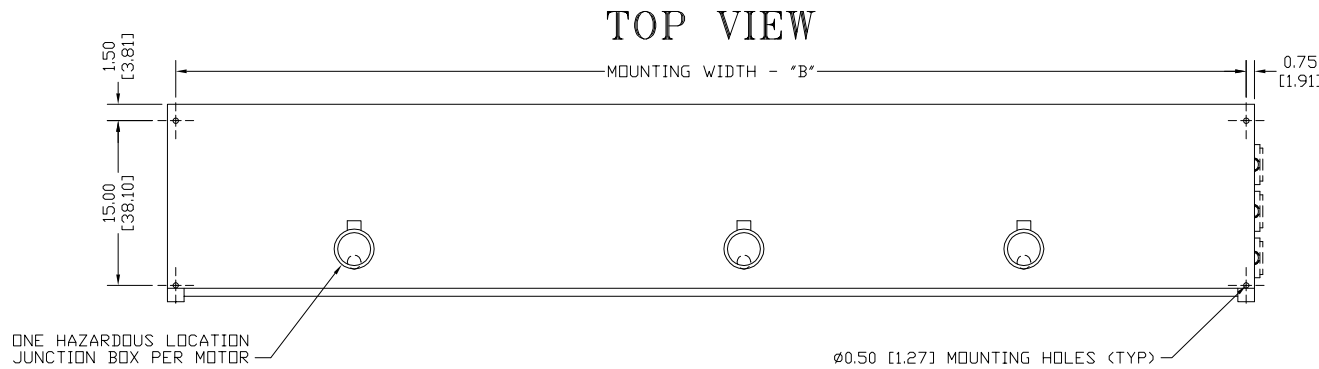
Ambient (Unheated) Air Curtain
Electrical Performance Sheet

MODEL	208/3/60 (voltage code D) MOTOR AMP DRAW = 3.4 each			240/3/60 (voltage code E) MOTOR AMP DRAW = 3.5 each			480/3/60 (voltage code H) MOTOR AMP DRAW = 1.8 each			600/3/60 (voltage code I) MOTOR AMP DRAW = 1.2 each		
	# CKTS	AMPS PER CIRCUIT	BREAKER RATING PER CIRCUIT	# CKTS	AMPS PER CIRCUIT	BREAKER RATING PER CIRCUIT	# CKTS	AMPS PER CIRCUIT	BREAKER RATING PER CIRCUIT	# CKTS	AMPS PER CIRCUIT	BREAKER RATING PER CIRCUIT
HLC14-1036A HLC14-1042A HLC14-1048A HLC14-1060A	1	3.4	15	1	3.5	15	1	1.8	15	1	1.2	15
HLC14-2060A HLC14-2072A HLC14-2078A HLC14-2084A HLC14-2096A HLC14-2108A HLC14-2120A	1	6.8	15	1	7.0	15	1	3.6	15	1	2.4	15
HLC14-3096A HLC14-3108A HLC14-3120A HLC14-3132A HLC14-3144A	1	10.2	15	1	10.5	15	1	5.4	15	1	3.6	15
HLC14-4144A HLC14-4156A HLC14-4168A HLC14-4180A HLC14-4192A	1	13.6	20	1	14.0	20	1	7.2	15	1	4.8	15
HLC14-5180A HLC14-5192A	1	17.0	25	1	17.5	25	1	9.0	15	1	6.0	15

HLC 14

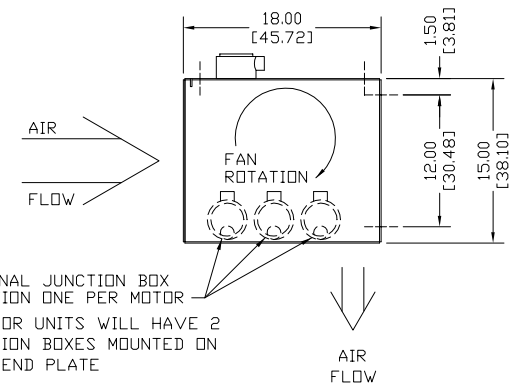
AMBIENT SYSTEM

HAZARDOUS LOCATION



MODEL	NOZZLE WIDTH "A"	MOUNTING WIDTH "B"	UNIT WIDTH "C"
HLC14-1036A	36.00 [91.44]	37.50 [95.25]	39.00 [99.06]
HLC14-1042A	42.00 [106.68]	43.50 [110.49]	45.00 [114.30]
HLC14-1048A	48.00 [121.92]	49.50 [125.73]	51.00 [129.54]
HLC14-1060A/2060A	66.00 [167.64]	67.50 [171.45]	69.00 [175.26]
HLC14-2072A	72.00 [182.88]	73.50 [186.69]	75.00 [190.50]
HLC14-2078A	78.00 [192.12]	79.50 [201.93]	81.00 [205.74]
HLC14-2084A	84.00 [213.36]	85.50 [217.17]	87.00 [220.98]
HLC14-2096A/3096A	99.00 [251.46]	100.50 [255.27]	102.00 [259.08]
HLC14-2108A/3108A	108.00 [274.32]	109.50 [278.13]	111.00 [281.94]
HLC14-2120A/3120A	117.00 [297.18]	118.50 [300.99]	120.00 [304.80]
HLC14-3132A	132.00 [335.28]	133.50 [339.09]	135.00 [342.90]
HLC14-3144A/4144A	144.00 [365.76]	145.50 [369.57]	147.00 [373.38]

END VIEW



OPTIONAL JUNCTION BOX LOCATION ONE PER MOTOR
4 MOTOR UNITS WILL HAVE 2 JUNCTION BOXES MOUNTED ON EACH END PLATE

NOTES:

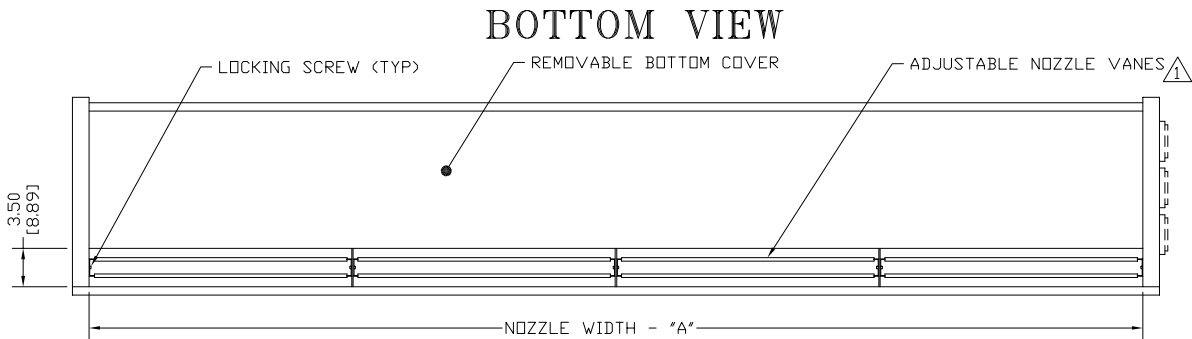
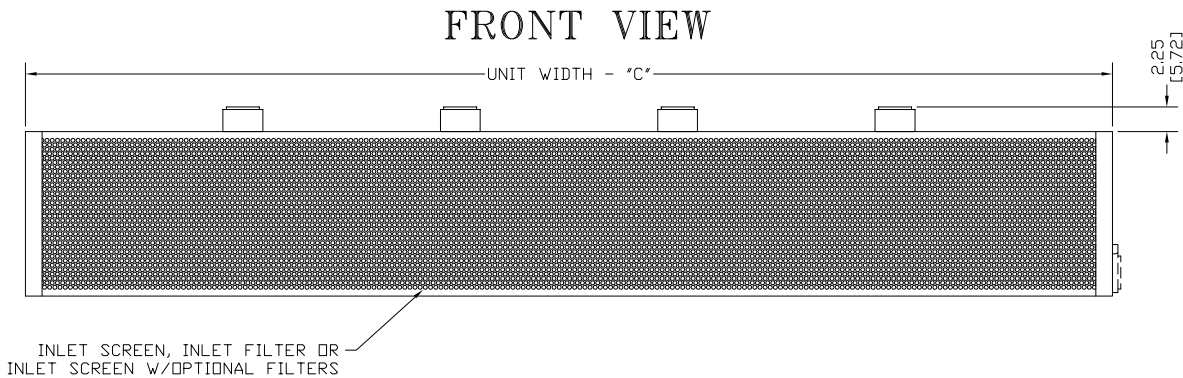
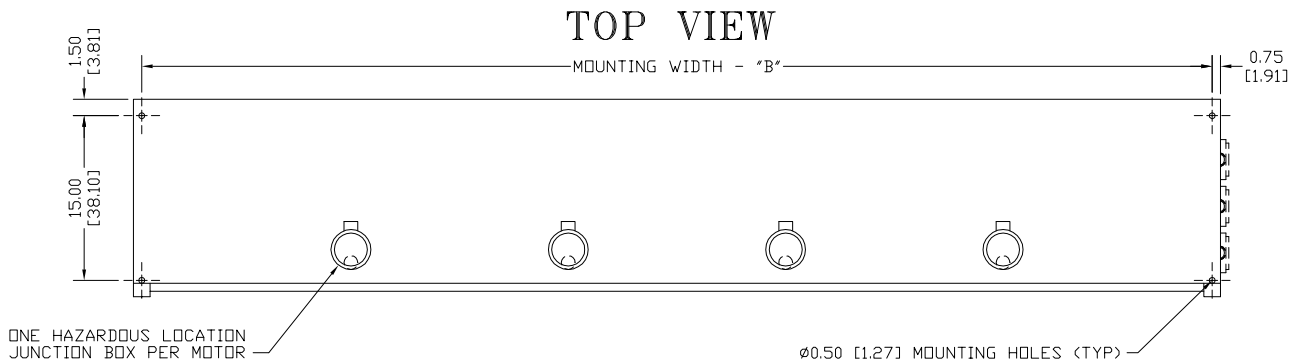
1. AIR CURTAIN MUST BE INSTALLED SO AIR STREAM IS NOT OBSTRUCTED WHEN DEFLECTED 20° TO EITHER SIDE OF C.
2. ELECTRICAL CONNECTIONS TO BE FLEXIBLE.
3. FIELD VERIFY DIMENSIONS.
4. ANCHORS TO SUPPORTING STRUCTURE BY OTHERS.
5. ADEQUACY OF SUPPORTING STRUCTURE IS TO BE VERIFIED BY A PROFESSIONAL STRUCTURAL ENGINEER.
6. LETTER "A" IN MODEL NUMBER DESIGNATES, AMBIENT UNIT.
7. REMOTE OPTIONAL CONTROL PANEL AVAILABLE; NEMA 4/12 FOR NON HAZARDOUS LOCATION MOUNTING; NEMA 7/9 FOR HAZARDOUS LOCATION MOUNTING. PLEASE SPECIFY.
8. DIMENSIONS IN INCHES [CENTIMETERS].

PROJECT		
LOCATION		
ARCHITECT		
ENGINEER		
DWG. NO.	HLC14-AMBI	TITLE: BERNER
DATE	16 JUNE 14	MODEL HLC14 AIR CURTAIN
BY	S. Beil	HAZARDOUS LOCATION AMBIENT SYSTEM
REPLACES	-	
BY	-	BERNER INTERNATIONAL CORP. NEW CASTLE, PA.

HLC 14

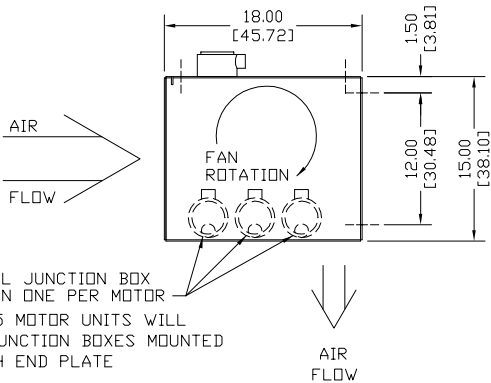
AMBIENT SYSTEM

HAZARDOUS LOCATION



MODEL	NOZZLE WIDTH "A"	MOUNTING WIDTH "B"	UNIT WIDTH "C"
HLC14-4156A	156.00 [396.24]	157.50 [400.05]	159.00 [403.86]
HLC14-4168A	168.00 [426.72]	169.50 [430.53]	171.00 [434.34]
HLC14-4180A/5180A	180.00 [457.20]	181.50 [461.01]	183.00 [464.82]
HLC14-4192A/5192A	192.00 [487.68]	193.50 [491.49]	195.00 [495.30]

END VIEW



NOTES:

- 1 AIR CURTAIN MUST BE INSTALLED SO AIR STREAM IS NOT OBSTRUCTED WHEN DEFLECTED 20° TO EITHER SIDE OF C.
- 2 ELECTRICAL CONNECTIONS TO BE FLEXIBLE.
- 3 FIELD VERIFY DIMENSIONS.
- 4 ANCHORS TO SUPPORTING STRUCTURE BY OTHERS.
- 5 ADEQUACY OF SUPPORTING STRUCTURE IS TO BE VERIFIED BY A PROFESSIONAL STRUCTURAL ENGINEER.
- 6 LETTER "A" IN MODEL NUMBER DESIGNATES, AMBIENT UNIT.
- 7 REMOTE OPTIONAL CONTROL PANEL AVAILABLE; NEMA 4/12 FOR NON HAZARDOUS LOCATION MOUNTING; NEMA 7/9 FOR HAZARDOUS LOCATION MOUNTING. PLEASE SPECIFY.
- 8 DIMENSIONS IN INCHES [CENTIMETERS].

PROJECT		
LOCATION		
ARCHITECT		
ENGINEER		
DWG. NO.	HLC14-AMB2	TITLE: BERNER
DATE	16 JUNE 14	MODEL HLC14 AIR CURTAIN
BY	S. Beil	HAZARDOUS LOCATION AMBIENT SYSTEM
REPLACES	-	
BY	-	BERNER INTERNATIONAL CORP. NEW CASTLE, PA.