



# HAZARDOUS LOCATION SERIES 14

## Hot Water Heated Air Curtain

### Data Sheet

For Door Heights To 14' (environmental separation)

#### STANDARD CONSTRUCTION

- Constructed for Class I, Division 1 & 2, Groups C & D
- 1 hp explosion proof single speed motor(s) temperature code T3C
- Interior and exterior gray zinc epoxy powder coated aluminized steel cabinet with aluminum screen and access panels
- External mount explosion proof junction box (One per motor)
- Aluminum impellers in a matching housing
- Wall & Top Mounting
- High efficiency Pro-V Nozzle

#### Coil Features:

- Aluminum casing
- 5/8" copper tube with .035" wall
- Aluminum fins
- Leak tested at 450 psi

#### NOTES:

- NO VERTICAL MOUNTING
- For construction other than standard, Consult Factory

**2 Year  
Limited  
Warranty**



MODEL	Nozzle Width (in)	Max Vel. at Nozzle (fpm)	Avg. Outlet Vel. (fpm)	Air Volume (cfm)	Outlet Vel. Uniformity	Power Rating (kW)	Motor(s) @ hp	Coil Output (MBH)	Entering / Leaving Water Temp. (°F)	Water Flow (GPM)	Fluid Pressure Drop (FT. WG.)	Air Temp. Rise (°F)	Net Wt. (lbs)
HLC14-1036W	36.00	7,567	2,738	2,396	87%	1.12	1 @ 1	81.4	180° / 161°	9.0	1.7	31°	151
HLC14-1042W	42.00	7,040	2,435	2,486	81%	1.12	1 @ 1	88.8	180° / 160°	9.0	1.7	33°	161
HLC14-1048W	48.00	7,175	2,173	2,535	84%	1.25	1 @ 1	89.0	180° / 154°	7.0	1.1	32°	171
HLC14-1060W	66.00	6,886	1,620	2,598	80%	1.28	1 @ 1	102.9	180° / 150°	7.0	1.2	36°	192
HLC14-2060W	66.00	7,520	3,136	4,574	97%	2.07	2 @ 1	160.8	180° / 159°	16.0	5.8	32°	268
HLC14-2072W	72.00	7,567	2,738	4,792	87%	2.24	2 @ 1	168.1	180° / 157°	15.0	5.2	32°	280
HLC14-2078W	78.00	7,040	2,575	4,882	81%	2.24	2 @ 1	175.4	180° / 156°	15.0	5.3	33°	290
HLC14-2084W	84.00	7,040	2,435	4,972	81%	2.24	2 @ 1	182.4	180° / 155°	15.0	5.4	34°	299
HLC14-2096W	99.00	7,175	2,173	5,070	84%	2.50	2 @ 1	196.8	180° / 153°	15.0	5.6	35°	318
HLC14-3096W	99.00	7,567	2,987	6,970	87%	3.19	3 @ 1	243.7	180° / 156°	21.0	10.8	32°	389
HLC14-2108W	108.00	6,886	1,956	5,133	80%	2.53	2 @ 1	204.8	180° / 152°	15.0	5.7	36°	366
HLC14-3108W	108.00	7,567	2,738	7,188	87%	3.36	3 @ 1	254.9	180° / 154°	20.5	10.5	32°	437
HLC14-2120W	117.00	6,886	1,827	5,197	80%	2.56	2 @ 1	215.5	180° / 152°	16.0	6.7	38°	379
HLC14-3120W	117.00	7,040	2,526	7,368	81%	3.36	3 @ 1	270.5	180° / 155°	22.0	12.3	34°	450
HLC14-3132W	132.00	7,040	2,340	7,507	81%	3.49	3 @ 1	289.1	180° / 154°	23.0	13.9	35°	482
HLC14-3144W	144.00	7,175	2,173	7,605	84%	3.75	3 @ 1	303.6	180° / 154°	24.0	15.5	36°	503
HLC14-4144W	144.00	7,567	2,738	9,584	87%	4.48	4 @ 1	347.8	180° / 155°	28.0	21.0	33°	573
HLC14-4156W	156.00	7,040	2,575	9,764	81%	4.48	4 @ 1	387.9	180° / 155°	32.0	19.6	36°	627
HLC14-4168W	168.00	7,040	2,435	9,944	81%	4.48	4 @ 1	402.2	180° / 154°	32.0	19.9	37°	648
HLC14-4180W	180.00	7,040	2,295	10,042	81%	4.74	4 @ 1	416.8	180° / 154°	33.0	21.3	38°	673
HLC14-5180W	180.00	7,567	2,738	11,980	87%	5.60	5 @ 1	464.0	180° / 154°	37.0	26.7	35°	744
HLC14-4192W	192.00	7,175	2,173	10,140	84%	5.00	4 @ 1	435.4	180° / 155°	36.0	25.5	39°	694
HLC14-5192W	192.00	7,175	2,580	12,040	84%	5.69	5 @ 1	478.7	180° / 154°	38.0	28.4	36°	765

#### NOTES:

1. Performance data based on AMCA licensed data from unheated IDC14 units.
2. Coil performance based on 65°F entering air temperature.
3. Standard connection same end supply/return (Optional: opposite end supply/return).
4. Coil should be field supplied with a solenoid valve that energizes only when air curtain is energized. Consideration must be taken for freeze protection when necessary.
5. Maximum leaving air temperature shall not exceed 120°F.
6. Consult factory for 50 Hz operation, alternate entering air & water temperatures, GPM's, and opposite end supply/return connections performance data.
7. Vertically mounted Hazardous Locations Series air curtains not available.

Berner does not recommend HLC14-1060W, HLC14-2108W, and HLC14-2120W, exist only as an equivalent to competitors' models.

See sheet EP-916 for amp draws/total load requirements.

## MODEL NUMBER CONFIGURATION

### HLC14-1 036 W A

Series	# of Motors	Opening Width	Heat	Voltage
HLC14	1, 2, 3, 4, 5	036" - 192"	W=Hot Water Heated	A=120/1/60 B=208/1/60 J=240/1/60 D=208/3/60 E=240/3/60 H=480/3/60 I=600/3/60

Sound level measured 10' (3m) from the unit in free field:  
1, 2, 3, 4 & 5 motor(s): 66 dBA, 69 dBA, 71 dBA, 72 dBA & 73 dBA

Berner reserves the right to alter specifications without prior notice.

[www.berner.com](http://www.berner.com) **Berner International** 800.245.4455  
111 Progress Ave. / New Castle / PA / 16101 / USA

DS-916  
December, 2023



# HAZARDOUS LOCATION SERIES 14

## Hot Water Heated Air Curtain

### Electrical Performance Sheet

MODEL	120/1/60 (voltage code A) MOTOR AMP DRAW = 16.6 each			208/1/60 (voltage code B) MOTOR AMP DRAW = 7.5 each			240/1/60 (voltage code J) MOTOR AMP DRAW = 8.3 each		
	# CKTS	AMPS PER CIRCUIT	BREAKER RATING PER CIRCUIT	# CKTS	AMPS PER CIRCUIT	BREAKER RATING PER CIRCUIT	# CKTS	AMPS PER CIRCUIT	BREAKER RATING PER CIRCUIT
HLC14-1036W HLC14-1042W HLC14-1048W HLC14-1060W	1	16.6	35	1	7.5	15	1	8.3	15
HLC14-2060W HLC14-2072W HLC14-2078W HLC14-2084W HLC14-2096W HLC14-2108W HLC14-2120W	1	33.2	50	1	15.0	20	1	16.6	20
HLC14-3096W HLC14-3108W HLC14-3120W HLC14-3132W HLC14-3144W	1	49.8	70	1	22.5	30	1	24.9	35
HLC14-4144W HLC14-4156W HLC14-4168W HLC14-4180W HLC14-4192W	1	66.4	100	1	30.0	40	1	33.2	45
HLC14-5180W HLC14-5192W	1	83.0	125	1	37.5	50	1	41.5	60

*Berner reserves the right to alter specifications without prior notice.*



# HAZARDOUS LOCATION SERIES 14

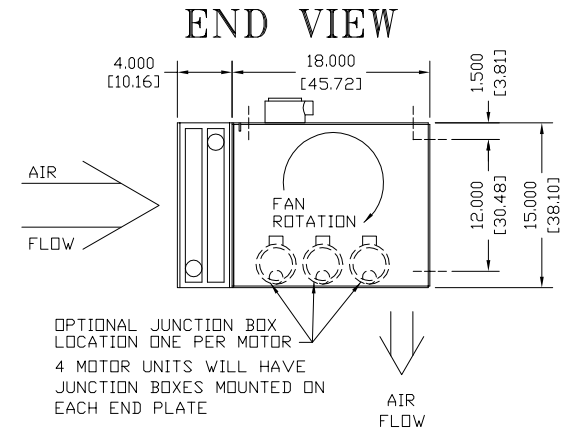
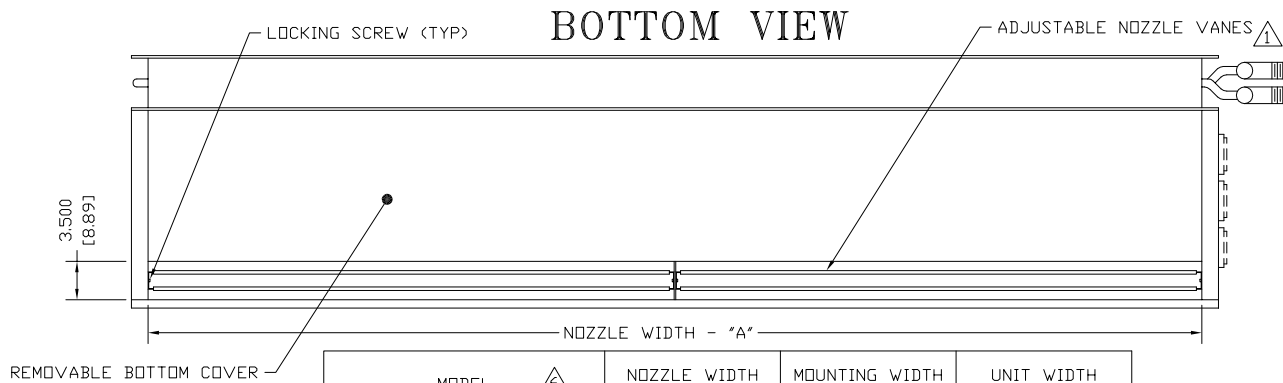
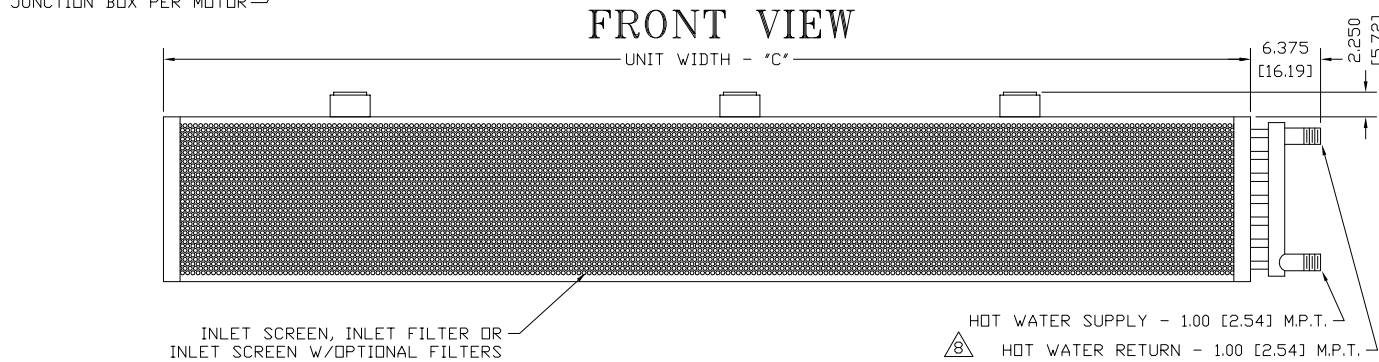
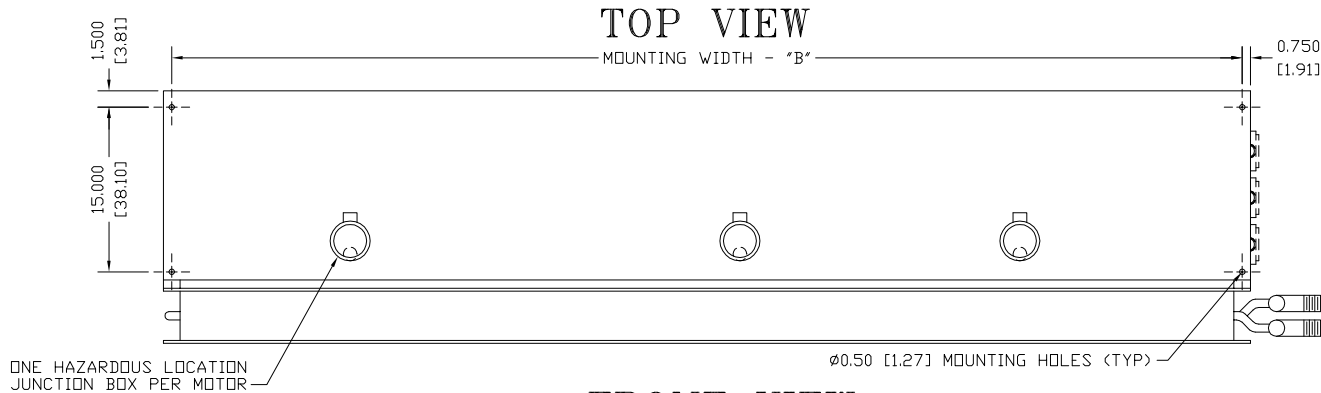
## Hot Water Heated Air Curtain

### Electrical Performance Sheet

MODEL	208/3/60 (voltage code D) MOTOR AMP DRAW = 3.4 each			240/3/60 (voltage code E) MOTOR AMP DRAW = 3.5 each			480/3/60 (voltage code H) MOTOR AMP DRAW = 1.8 each			600/3/60 (voltage code I) MOTOR AMP DRAW = 1.2 each		
	# CKTS	AMPS PER CIRCUIT	BREAKER RATING PER CIRCUIT	# CKTS	AMPS PER CIRCUIT	BREAKER RATING PER CIRCUIT	# CKTS	AMPS PER CIRCUIT	BREAKER RATING PER CIRCUIT	# CKTS	AMPS PER CIRCUIT	BREAKER RATING PER CIRCUIT
HLC14-1036W HLC14-1042W HLC14-1048W HLC14-1060W	1	3.4	15	1	3.5	15	1	1.8	15	1	1.2	15
HLC14-2060W HLC14-2072W HLC14-2078W HLC14-2084W HLC14-2096W HLC14-2108W HLC14-2120W	1	6.8	15	1	7.0	15	1	3.6	15	1	2.4	15
HLC14-3096W HLC14-3108W HLC14-3120W HLC14-3132W HLC14-3144W	1	10.2	15	1	10.5	15	1	5.4	15	1	3.6	15
HLC14-4144W HLC14-4156W HLC14-4168W HLC14-4180W HLC14-4192W	1	13.6	20	1	14.0	20	1	7.2	15	1	4.8	15
HLC14-5180W HLC14-5192W	1	17.0	25	1	17.5	25	1	9.0	15	1	6.0	15

# HLC 14

## HOT WATER HEATED HAZARDOUS LOCATION



### NOTES:

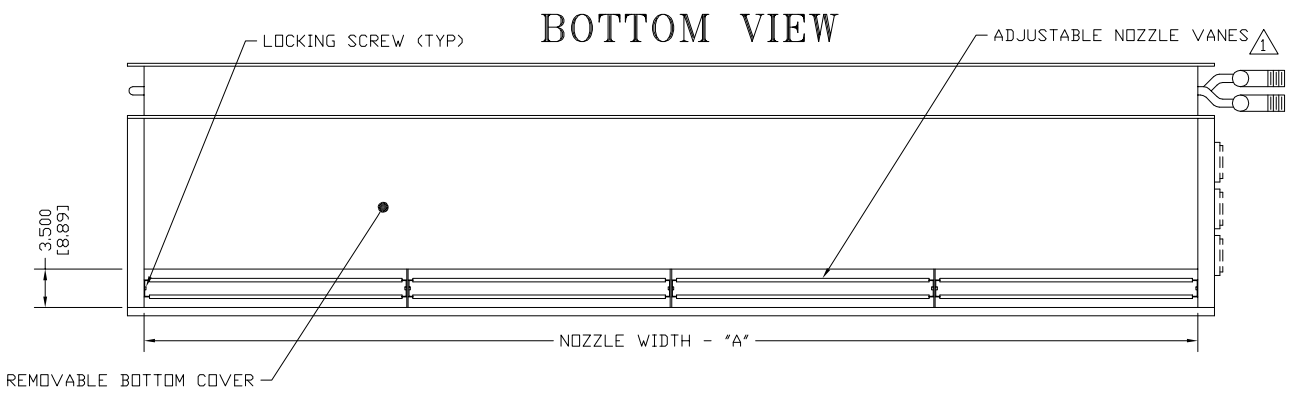
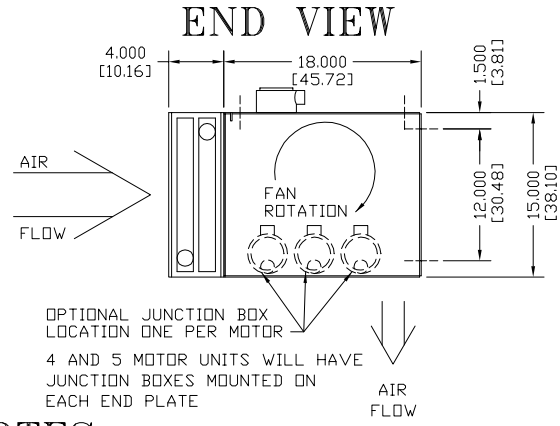
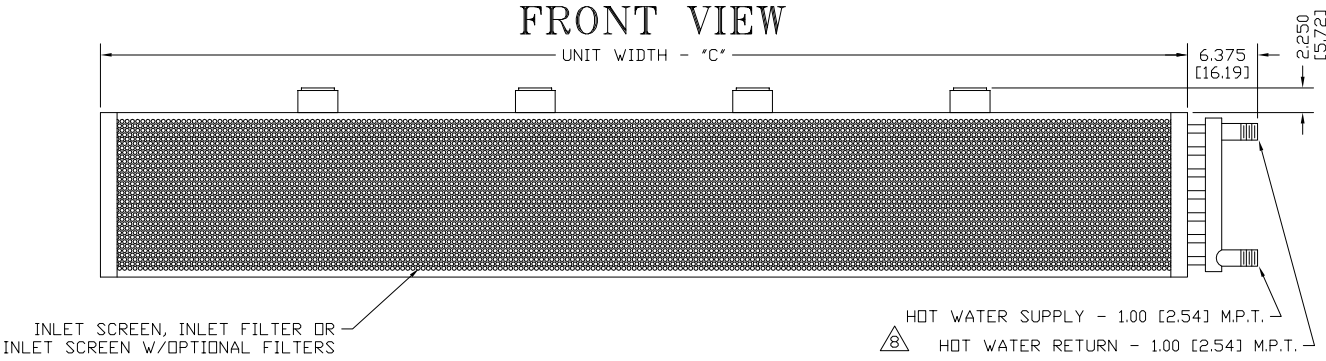
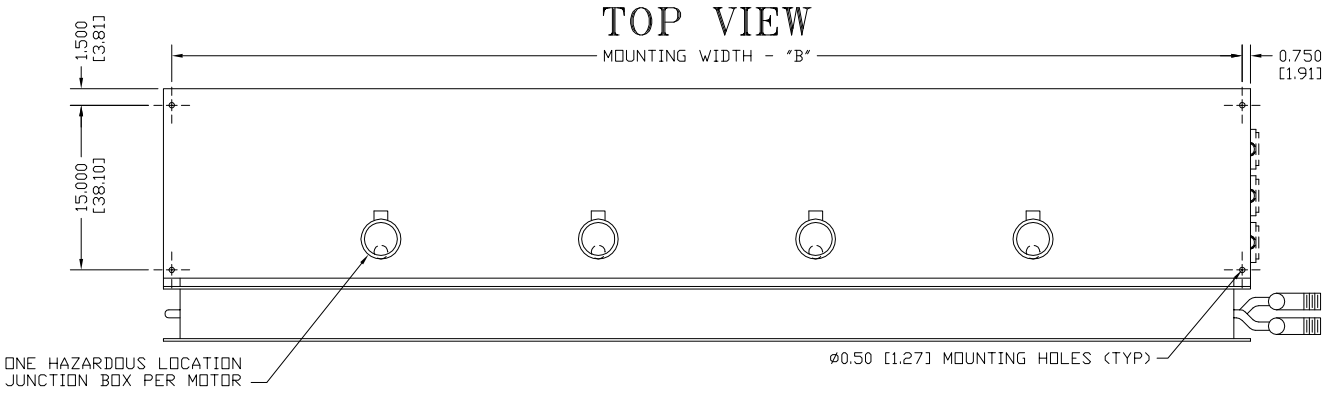
- ⚠️ AIR CURTAIN MUST BE INSTALLED SO AIR STREAM IS NOT OBSTRUCTED WHEN DEFLECTED 20° TO EITHER SIDE OF C.
- ⚠️ ELECTRICAL CONNECTIONS TO BE FLEXIBLE.
- ⚠️ FIELD VERIFY DIMENSIONS.
- ⚠️ ANCHORS TO SUPPORTING STRUCTURE BY OTHERS.
- ⚠️ ADEQUACY OF SUPPORTING STRUCTURE IS TO BE VERIFIED BY A PROFESSIONAL STRUCTURAL ENGINEER.
- ⚠️ LETTER "W" IN MODEL NUMBER DESIGNATES HOT WATER HEATED UNIT.
- ⚠️ REMOTE OPTIONAL CONTROL PANEL AVAILABLE: NEMA 4/12 FOR NON HAZARDOUS LOCATION MOUNTING; NEMA 7/9 FOR HAZARDOUS LOCATION MOUNTING. PLEASE SPECIFY.
- ⚠️ COIL CONNECTIONS AS SHOWN, OPPOSITE AND SAME END CONNECTIONS AVAILABLE, PLEASE SPECIFY.
- ⚠️ DIMENSIONS IN INCHES (CENTIMETERS).

MODEL	NOZZLE WIDTH "A"	MOUNTING WIDTH "B"	UNIT WIDTH "C"
HLC14-1036W	36.00 [91.44]	37.50 [95.25]	39.00 [99.06]
HLC14-1042W	42.00 [106.68]	43.50 [110.49]	45.00 [114.30]
HLC14-1048W	48.00 [121.92]	49.50 [125.73]	51.00 [129.54]
HLC14-1060W/2060W	66.00 [167.64]	67.50 [171.45]	69.00 [175.26]
HLC14-2072W	72.00 [182.88]	73.50 [186.69]	75.00 [190.50]
HLC14-2078W	78.00 [192.12]	79.50 [201.93]	81.00 [205.74]
HLC14-2084W	84.00 [213.36]	85.50 [217.17]	87.00 [220.98]
HLC14-2096W/3096W	99.00 [251.46]	100.50 [255.27]	102.00 [259.08]
HLC14-2108W/3108W	108.00 [274.32]	109.50 [278.13]	111.00 [281.94]
HLC14-2120W/3120W	117.00 [297.18]	118.50 [300.99]	120.00 [304.80]
HLC14-3132W	132.00 [335.28]	133.50 [339.09]	135.00 [342.90]
HLC14-3144W/4144W	144.00 [365.76]	145.50 [369.57]	147.00 [373.38]

PROJECT		
LOCATION		
ARCHITECT		
ENGINEER		
DWG. NO.	HLC14-WTR1	TITLE: <b>BERNER</b>
DATE	16 JUNE 14	MODEL HLC14 AIR CURTAIN
BY	S. Beil	HAZARDOUS LOCATION HOT WATER HEATED SYSTEM
REPLACES	-	
BY	-	BERNER INTERNATIONAL CORP. NEW CASTLE, PA.

# HLC 14

## HOT WATER HEATED HAZARDOUS LOCATION



MODEL	⑥	NOZZLE WIDTH "A"	MOUNTING WIDTH "B"	UNIT WIDTH "C"
HLC14-4156W		156.00 [396.24]	157.50 [400.05]	159.00 [403.86]
HLC14-4168W		168.00 [426.72]	169.50 [430.53]	171.00 [434.34]
HLC14-4180W/5180W		180.00 [457.20]	181.50 [461.01]	183.00 [464.82]
HLC14-4192W/5192W		192.00 [487.68]	193.50 [491.49]	195.00 [495.30]

### NOTES:

- ① AIR CURTAIN MUST BE INSTALLED SO AIR STREAM IS NOT OBSTRUCTED WHEN DEFLECTED 20° TO EITHER SIDE OF C.
- ② ELECTRICAL CONNECTIONS TO BE FLEXIBLE.
- ③ FIELD VERIFY DIMENSIONS.
- ④ ANCHORS TO SUPPORTING STRUCTURE BY OTHERS.
- ⑤ ADEQUACY OF SUPPORTING STRUCTURE IS TO BE VERIFIED BY A PROFESSIONAL STRUCTURAL ENGINEER.
- ⑥ LETTER "W" IN MODEL NUMBER DESIGNATES HOT WATER HEATED UNIT.
- ⑦ REMOTE OPTIONAL CONTROL PANEL AVAILABLE: NEMA 4/12 FOR NON HAZARDOUS LOCATION MOUNTING; NEMA 7/9 FOR HAZARDOUS LOCATION MOUNTING. PLEASE SPECIFY.
- ⑧ COIL CONNECTIONS AS SHOWN, OPPOSITE AND SAME END CONNECTIONS AVAILABLE, PLEASE SPECIFY.
- ⑨ DIMENSIONS IN INCHES (CENTIMETERS).

PROJECT		
LOCATION		
ARCHITECT		
ENGINEER		
DWG. NO.	HLC14-WTR2	TITLE: <b>BERNER</b>
DATE	16 JUNE 14	MODEL HLC14 AIR CURTAIN
BY	S. Beil	HAZARDOUS LOCATION HOT WATER HEATED SYSTEM
REPLACES	-	
BY	-	BERNER INTERNATIONAL CORP. NEW CASTLE, PA.