



HAZARDOUS LOCATION SERIES 14

Steam Heated Air Curtain

Data Sheet

For Door Heights To 14' (environmental separation)

STANDARD CONSTRUCTION

- Constructed for Class I, Division 1 & 2, Groups C & D
- Constructed for Class II, Division 1 & 2, Groups F & G
- 1 hp explosion proof single speed motor(s) temperature code T3C
- Interior and exterior gray zinc epoxy powder coated aluminized steel cabinet with aluminum screen and access panels
- External mount explosion proof junction box (One per motor)
- Aluminum impellers in a matching housing
- Wall & Top Mounting
- High efficiency Pro-V Nozzle

- Coil Features:
 - Aluminum casing
 - 5/8" copper tube with .035" wall
 - Aluminum fins
 - Leak tested at 450 psi

**2 Year
Limited
Warranty**



MODEL	Nozzle Width (in)	Max Vel. at Nozzle (fpm)	Avg. Outlet Vel. (fpm)	Air Volume (cfm)	Outlet Vel. Uniformity	Power Rating (kW)	Motor(s) @ hp	Coil Output (MBH)	Inlet Pressure (PSIG)	Condensate (lbs/hr)	Air Temp. Rise (°F)	Net Wt. (lbs)
HLC14-1036S	36.00	7,567	2,738	2,396	87%	1.12	1 @ 1	81.4	5	83.9	31°	151
HLC14-1042S	42.00	7,040	2,435	2,486	81%	1.12	1 @ 1	89.3	5	92.1	33°	161
HLC14-1048S	48.00	7,175	2,173	2,535	84%	1.25	1 @ 1	96.1	5	99.1	35°	171
HLC14-1060S	66.00	6,886	1,620	2,598	80%	1.28	1 @ 1	112.4	5	115.9	40°	192
HLC14-2060S	66.00	7,520	3,136	4,574	97%	2.07	2 @ 1	152.3	5	156.9	30°	268
HLC14-2072S	72.00	7,567	2,738	4,792	87%	2.24	2 @ 1	162.7	5	167.7	31°	280
HLC14-2078S	78.00	7,040	2,575	4,882	81%	2.24	2 @ 1	170.8	5	176.1	32°	290
HLC14-2084S	84.00	7,040	2,435	4,972	81%	2.24	2 @ 1	178.7	5	184.2	33°	299
HLC14-2096S	99.00	7,175	2,173	5,070	84%	2.50	2 @ 1	195.0	5	201.0	35°	318
HLC14-3096S	99.00	7,567	2,987	6,970	87%	3.19	3 @ 1	230.2	5	237.3	30°	389
HLC14-2108S	108.00	6,886	1,956	5,133	80%	2.53	2 @ 1	204.3	5	210.6	36°	366
HLC14-3108S	108.00	7,567	2,738	7,188	87%	3.36	3 @ 1	244.1	5	251.6	31°	437
HLC14-2120S	117.00	6,886	1,827	5,197	80%	2.56	2 @ 1	213.2	5	219.8	38°	379
HLC14-3120S	117.00	7,040	2,526	7,368	81%	3.36	3 @ 1	257.0	5	264.9	32°	450
HLC14-3132S	132.00	7,040	2,340	7,507	81%	3.49	3 @ 1	275.0	5	283.4	33°	482
HLC14-3144S	144.00	7,175	2,173	7,605	84%	3.75	3 @ 1	288.4	5	297.2	35°	503
HLC14-4144S	144.00	7,567	2,738	9,584	87%	4.48	4 @ 1	325.5	5	335.5	31°	573
HLC14-4156S	156.00	7,040	2,575	9,764	81%	4.48	4 @ 1	341.6	5	352.1	32°	627
HLC14-4168S	168.00	7,040	2,435	9,944	81%	4.48	4 @ 1	357.4	5	368.3	33°	648
HLC14-4180S	180.00	7,040	2,295	10,042	81%	4.74	4 @ 1	371.1	5	382.5	34°	673
HLC14-5180S	180.00	7,567	2,738	11,980	87%	5.60	5 @ 1	406.8	5	419.3	31°	744
HLC14-4192S	192.00	7,175	2,173	10,140	84%	5.00	4 @ 1	384.5	5	396.3	35°	694
HLC14-5192S	192.00	7,175	2,580	12,040	84%	5.69	5 @ 1	420.9	5	433.8	32°	765

NOTES:

1. Performance data based on AMCA licensed data from unheated IDC14 units.
2. Coil performance based on 65°F entering air temperature.
3. Standard connection same end supply/return (Optional: opposite end supply/return).
4. Coil should be field supplied with a solenoid valve that energizes only when air curtain is energized. Consideration must be taken for freeze protection when necessary.
5. Maximum leaving air temperature shall not exceed 120°F.
6. Consult factory for 50 Hz operation, alternate steam pressures and opposite end supply/return connections performance data.
7. Vertically mounted Hazardous Locations Series air curtains not available.

Berner does not recommend HLC14-1060S, HLC14-2108S, and HLC14-2120S, exist only as an equivalent to competitors' models.

See sheet EP-914 for amp draws/total load requirements.

MODEL NUMBER CONFIGURATION

HLC14-1 036 S A

Series	# of Motors	Opening Width	Heat	Voltage
HLC14	1, 2, 3, 4, 5	036" - 192"	S=Steam Heated	A=120/1/60 B=208/1/60 J=240/1/60 D=208/3/60 E=240/3/60 H=480/3/60 I=600/3/60

Sound level measured 10' (3m) from the unit in free field:
1, 2, 3, 4 & 5 motor(s): 66 dBA, 69 dBA, 71 dBA, 72 dBA & 73 dBA

Berner reserves the right to alter specifications without prior notice.



HAZARDOUS LOCATION SERIES 14

Steam Heated Air Curtain Electrical Performance Sheet

MODEL	120/1/60 (voltage code A) MOTOR AMP DRAW = 16.6 each			208/1/60 (voltage code B) MOTOR AMP DRAW = 7.5 each			240/1/60 (voltage code J) MOTOR AMP DRAW = 8.3 each		
	# CKTS	AMPS PER CIRCUIT	BREAKER RATING PER CIRCUIT	# CKTS	AMPS PER CIRCUIT	BREAKER RATING PER CIRCUIT	# CKTS	AMPS PER CIRCUIT	BREAKER RATING PER CIRCUIT
HLC14-1036S HLC14-1042S HLC14-1048S HLC14-1060S	1	16.6	35	1	7.5	15	1	8.3	15
HLC14-2060S HLC14-2072S HLC14-2078S HLC14-2084S HLC14-2096S HLC14-2108S HLC14-2120S	1	33.2	50	1	15.0	20	1	16.6	20
HLC14-3096S HLC14-3108S HLC14-3120S HLC14-3132S HLC14-3144S	1	49.8	70	1	22.5	30	1	24.9	35
HLC14-4144S HLC14-4156S HLC14-4168S HLC14-4180S HLC14-4192S	1	66.4	100	1	30.0	40	1	33.2	45
HLC14-5180S HLC14-5192S	1	83.0	125	1	37.5	50	1	41.5	60

Berner reserves the right to alter specifications without prior notice.



HAZARDOUS LOCATION SERIES 14

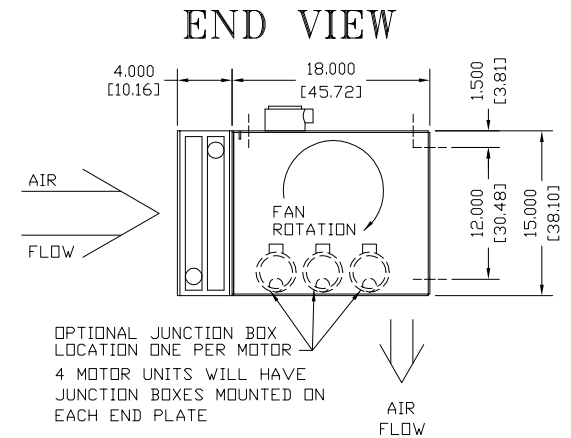
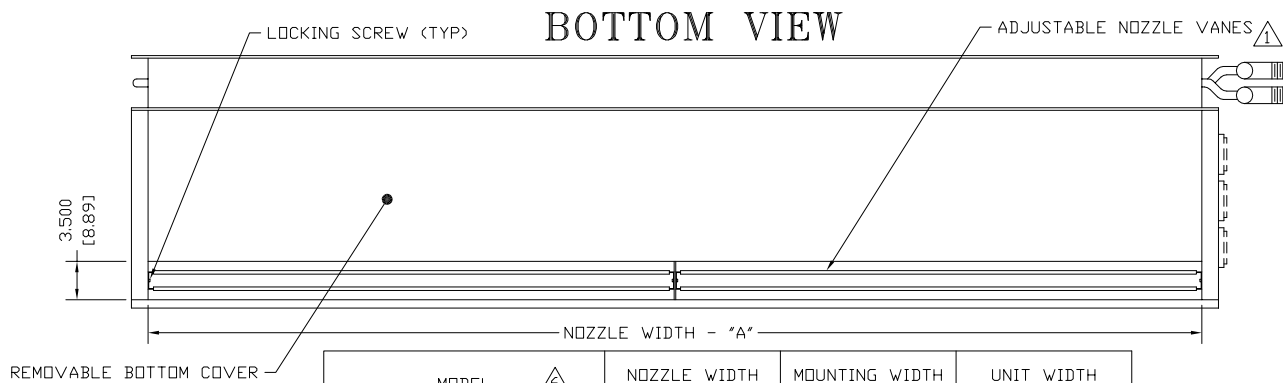
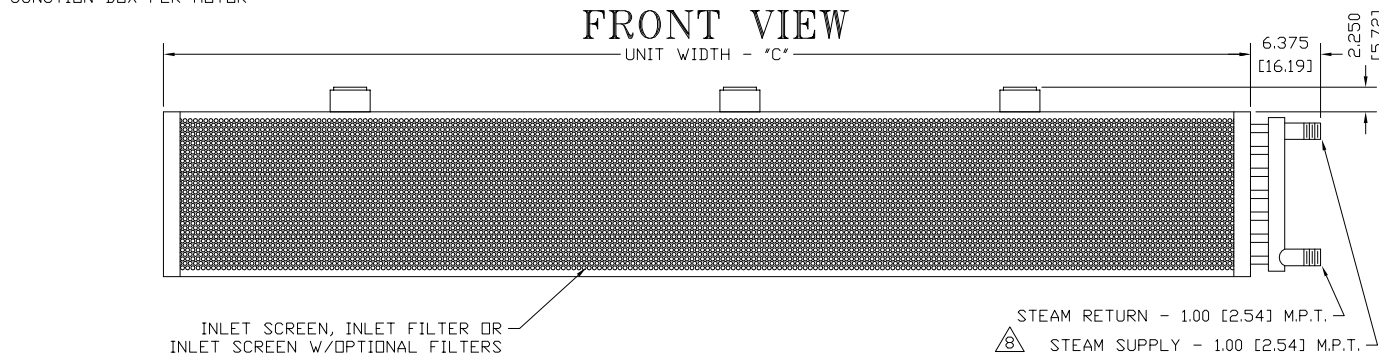
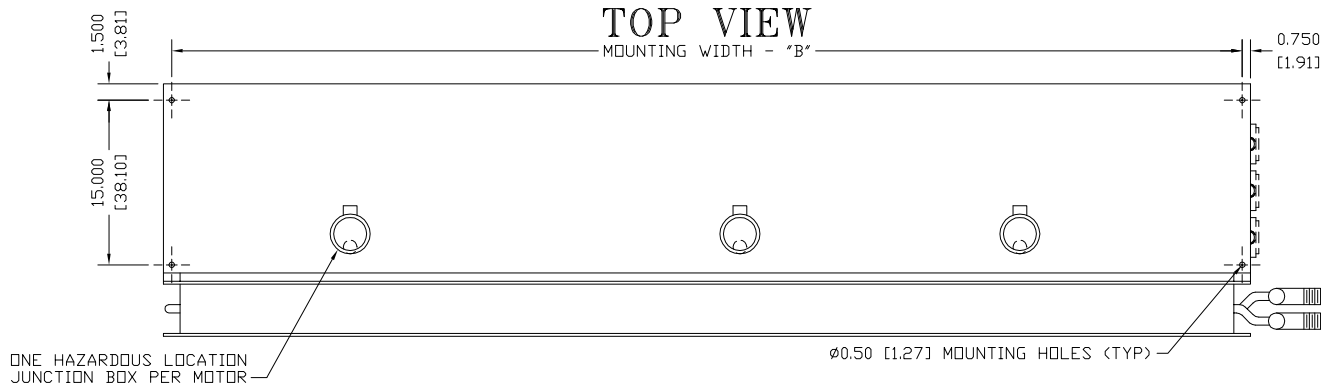
Steam Heated Air Curtain Electrical Performance Sheet

MODEL	208/3/60 (voltage code D) MOTOR AMP DRAW = 3.4 each			240/3/60 (voltage code E) MOTOR AMP DRAW = 3.5 each			480/3/60 (voltage code H) MOTOR AMP DRAW = 1.8 each			600/3/60 (voltage code I) MOTOR AMP DRAW = 1.2 each		
	# CKTS	AMPS PER CIRCUIT	BREAKER RATING PER CIRCUIT	# CKTS	AMPS PER CIRCUIT	BREAKER RATING PER CIRCUIT	# CKTS	AMPS PER CIRCUIT	BREAKER RATING PER CIRCUIT	# CKTS	AMPS PER CIRCUIT	BREAKER RATING PER CIRCUIT
HLC14-1036S HLC14-1042S HLC14-1048S HLC14-1060S	1	3.4	15	1	3.5	15	1	1.8	15	1	1.2	15
HLC14-2060S HLC14-2072S HLC14-2078S HLC14-2084S HLC14-2096S HLC14-2108S HLC14-2120S	1	6.8	15	1	7.0	15	1	3.6	15	1	2.4	15
HLC14-3096S HLC14-3108S HLC14-3120S HLC14-3132S HLC14-3144S	1	10.2	15	1	10.5	15	1	5.4	15	1	3.6	15
HLC14-4144S HLC14-4156S HLC14-4168S HLC14-4180S HLC14-4192S	1	13.6	20	1	14.0	20	1	7.2	15	1	4.8	15
HLC14-5180S HLC14-5192S	1	17.0	25	1	17.5	25	1	9.0	15	1	6.0	15

Berner reserves the right to alter specifications without prior notice.

HLC 14

STEAM HEATED HAZARDOUS LOCATION



NOTES:

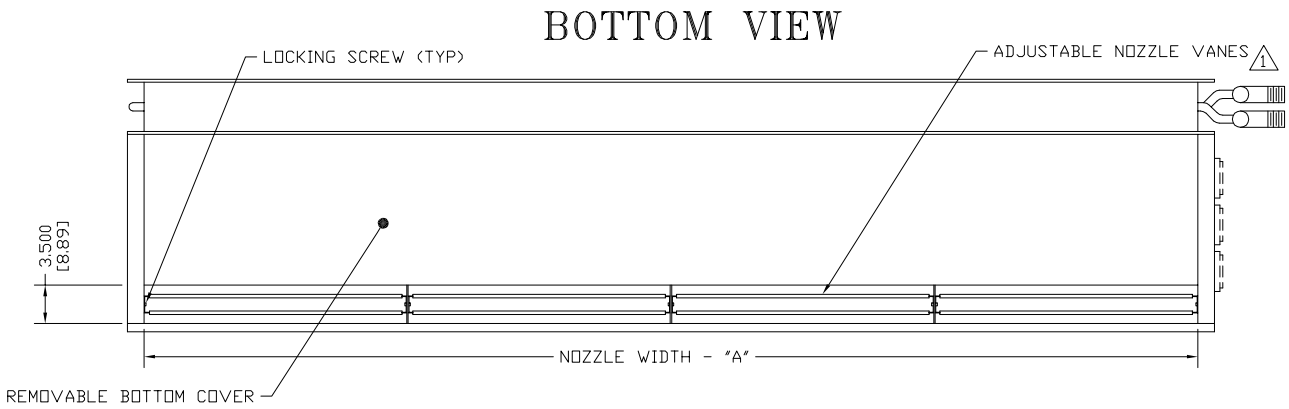
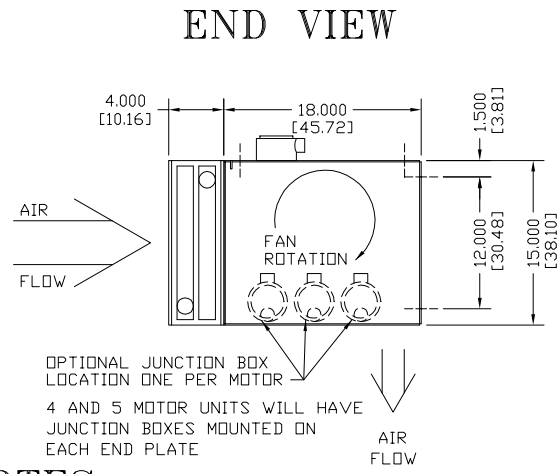
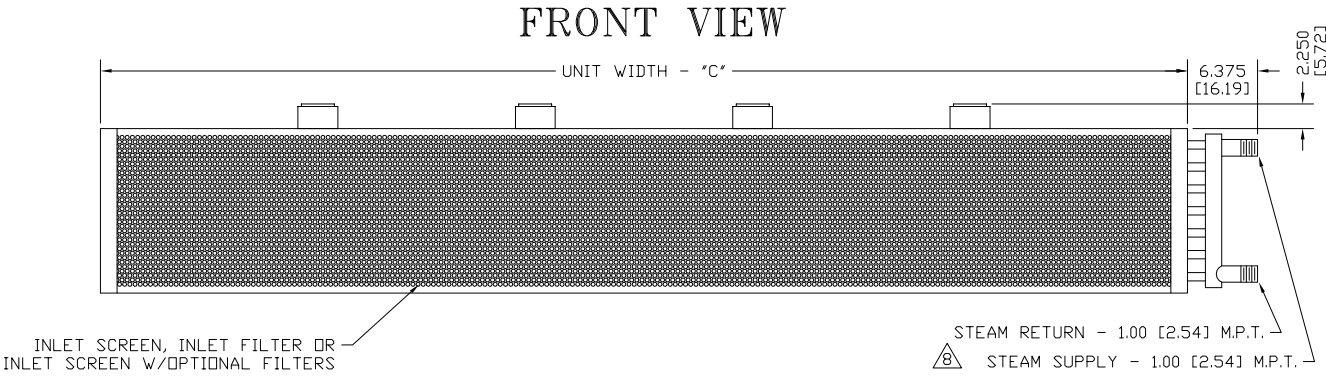
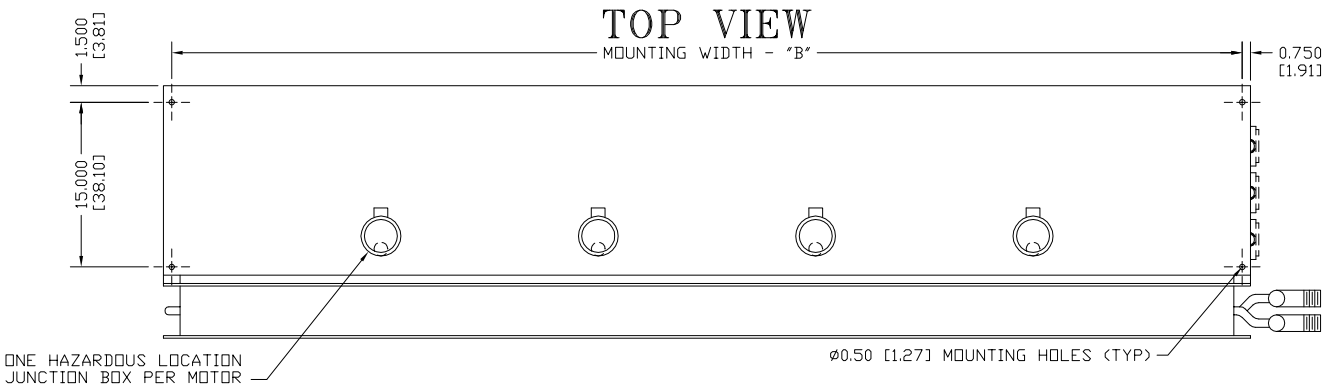
- ⚠️ AIR CURTAIN MUST BE INSTALLED SO AIR STREAM IS NOT OBSTRUCTED WHEN DEFLECTED 20° TO EITHER SIDE OF C.
- ⚠️ ELECTRICAL CONNECTIONS TO BE FLEXIBLE.
- ⚠️ FIELD VERIFY DIMENSIONS.
- ⚠️ ANCHORS TO SUPPORTING STRUCTURE BY OTHERS.
- ⚠️ ADEQUACY OF SUPPORTING STRUCTURE IS TO BE VERIFIED BY A PROFESSIONAL STRUCTURAL ENGINEER.
- ⚠️ LETTER "S" IN MODEL NUMBER DESIGNATES STEAM HEATED UNIT.
- ⚠️ REMOTE OPTIONAL CONTROL PANEL AVAILABLE: NEMA 4/12 FOR NON HAZARDOUS LOCATION MOUNTING; NEMA 7/9 FOR HAZARDOUS LOCATION MOUNTING. PLEASE SPECIFY.
- ⚠️ COIL CONNECTIONS AS SHOWN, OPPOSITE AND SAME END CONNECTIONS AVAILABLE, PLEASE SPECIFY.
- ⚠️ DIMENSIONS IN INCHES (CENTIMETERS).

MODEL	NOZZLE WIDTH "A"	MOUNTING WIDTH "B"	UNIT WIDTH "C"
HLC14-1036S	36.00 [91.44]	37.50 [95.25]	39.00 [99.06]
HLC14-1042S	42.00 [106.68]	43.50 [110.49]	45.00 [114.30]
HLC14-1048S	48.00 [121.92]	49.50 [125.73]	51.00 [129.54]
HLC14-1060S/2060S	66.00 [167.64]	67.50 [171.45]	69.00 [175.26]
HLC14-2072S	72.00 [182.88]	73.50 [186.69]	75.00 [190.50]
HLC14-2078S	78.00 [192.12]	79.50 [201.93]	81.00 [205.74]
HLC14-2084S	84.00 [213.36]	85.50 [217.17]	87.00 [220.98]
HLC14-2096S/3096S	99.00 [251.46]	100.50 [255.27]	102.00 [259.08]
HLC14-2108S/3108S	108.00 [274.32]	109.50 [278.13]	111.00 [281.94]
HLC14-2120S/3120S	117.00 [297.18]	118.50 [300.99]	120.00 [304.80]
HLC14-3132S	132.00 [335.28]	133.50 [339.09]	135.00 [342.90]
HLC14-3144S/4144S	144.00 [365.76]	145.50 [369.57]	147.00 [373.38]

PROJECT		
LOCATION		
ARCHITECT		
ENGINEER		
DWG. NO.	HLC14-STMI	TITLE: BERNER
DATE	16 JUNE 14	MODEL HLC14 AIR CURTAIN
BY	S. Beil	HAZARDOUS LOCATION STEAM HEATED SYSTEM
REPLACES	-	
BY	-	BERNER INTERNATIONAL CORP. NEW CASTLE, PA.

HLC 14

STEAM HEATED HAZARDOUS LOCATION



- NOTES:**
- 1 AIR CURTAIN MUST BE INSTALLED SO AIR STREAM IS NOT OBSTRUCTED WHEN DEFLECTED 20° TO EITHER SIDE OF C.
 - 2 ELECTRICAL CONNECTIONS TO BE FLEXIBLE.
 - 3 FIELD VERIFY DIMENSIONS.
 - 4 ANCHORS TO SUPPORTING STRUCTURE BY OTHERS.
 - 5 ADEQUACY OF SUPPORTING STRUCTURE IS TO BE VERIFIED BY A PROFESSIONAL STRUCTURAL ENGINEER.
 - 6 LETTER "S" IN MODEL NUMBER DESIGNATES STEAM HEATED UNIT.
 - 7 REMOTE OPTIONAL CONTROL PANEL AVAILABLE: NEMA 4/12 FOR NON HAZARDOUS LOCATION MOUNTING; NEMA 7/9 FOR HAZARDOUS LOCATION MOUNTING. PLEASE SPECIFY.
 - 8 COIL CONNECTIONS AS SHOWN, OPPOSITE AND SAME END CONNECTIONS AVAILABLE, PLEASE SPECIFY.
 - 9 DIMENSIONS IN INCHES (CENTIMETERS).

MODEL	6	NOZZLE WIDTH "A"	MOUNTING WIDTH "B"	UNIT WIDTH "C"
HLC14-4156S		156.00 [396.24]	157.50 [400.05]	159.00 [403.86]
HLC14-4168S		168.00 [426.72]	169.50 [430.53]	171.00 [434.34]
HLC14-4180S/5180S		180.00 [457.20]	181.50 [461.01]	183.00 [464.82]
HLC14-4192S/5192S		192.00 [487.68]	193.50 [491.49]	195.00 [495.30]

PROJECT		
LOCATION		
ARCHITECT		
ENGINEER		
DWG. NO.	HLC14-STM2	TITLE: BERNER
DATE	16 JUNE 14	MODEL HLC14 AIR CURTAIN
BY	S. Beil	HAZARDOUS LOCATION STEAM HEATED SYSTEM
REPLACES	-	
BY	-	BERNER INTERNATIONAL CORP. NEW CASTLE, PA.