



HAZARDOUS LOCATION SERIES 16

Ambient (Unheated) Air Curtain

Data Sheet

For Door Heights To 16' (environmental separation) and 14' (insect control)

STANDARD CONSTRUCTION

- Constructed for Class I, Division 1 & 2, Groups C & D
- Constructed for Class II, Division 1 & 2, Groups F & G
- Explosion proof single speed motor(s) temperature code T3C
- Interior and exterior gray zinc epoxy powder coated aluminized steel cabinet and screen
- Split cabinet construction for fan assembly removal
- External mount explosion proof junction box (One per motor)
- Aluminum impellers in zinc epoxy powder coated galvanized steel housing
- Fiberglass air diverters, factory assembled to the outlet of each blower housing
- Top Mounting only
- High efficiency Pro-V Nozzle

**5 Year
Limited
Warranty**



| MODEL | Nozzle Width (in) | Max Vel. at Nozzle (fpm) | Avg. Outlet Vel. (fpm) | Air Volume (cfm) | Outlet Vel. Uniformity | Power Rating (kW) | Motor(s) @ hp | Net Wt. (lbs) |
|-------------|-------------------|--------------------------|------------------------|------------------|------------------------|-------------------|---------------|---------------|
| HLC16-1060A | 60.00 | 5,145 | 3,302 | 5,359 | 85% | 2.80 | 1 @ 3 | 385 |
| HLC16-1072A | 72.00 | 5,005 | 2,944 | 6,256 | 91% | 2.90 | 1 @ 3 | 425 |
| HLC16-1084A | 84.00 | 4,644 | 2,732 | 6,772 | 89% | 3.00 | 1 @ 3 | 465 |
| HLC16-1096A | 96.00 | 5,352 | 3,148 | 8,920 | 87% | 4.10 | 1 @ 5 | 592 |
| HLC16-1108A | 108.00 | 5,236 | 3,080 | 9,817 | 86% | 4.20 | 1 @ 5 | 712 |
| HLC16-1120A | 117.00 | 6,012 | 3,627 | 12,526 | 87% | 4.80 | 1 @ 7.5 | 905 |
| HLC16-1132A | 132.00 | 5,602 | 3,296 | 12,839 | 86% | 4.90 | 1 @ 7.5 | 955 |
| HLC16-1144A | 144.00 | 5,225 | 3,074 | 13,062 | 85% | 5.40 | 1 @ 7.5 | 995 |
| HLC16-1156A | 156.00 | 4,943 | 2,908 | 13,388 | 84% | 5.50 | 1 @ 7.5 | 1,045 |
| HLC16-2168A | 168.00 | 5,203 | 3,061 | 15,176 | 89% | 7.00 | 1 @ 5, 1 @ 3 | 1,006 |
| HLC16-2180A | 180.00 | 5,143 | 3,026 | 16,073 | 87% | 7.10 | 1 @ 5, 1 @ 3 | 1,071 |
| HLC16-2192A | 192.00 | 5,352 | 3,148 | 17,840 | 87% | 8.20 | 2 @ 5 | 1,164 |

NOTES:

1. Consult factory for 50 Hz operation.
2. Performance data based on AMCA licensed data from unheated IDC16 units.
3. Vertically mounted Hazardous Location Series air curtains not available.

See sheet EP-920 for amp draws/total load requirements.

MODEL NUMBER CONFIGURATION

HLC16-1 060 A D-F

| Series | # of Motors | Opening Width | Heat | Voltage | Intake |
|--------|-------------|---------------|-----------|--|------------------|
| HLC16 | 1, 2 | 060" - 192" | A=Ambient | D=208/3/60 E=240/3/60 H=480/3/60 I=600/3/60 | T=Top F=Front |

| VELOCITY PROFILE: Model HLC16-1060A | | | |
|-------------------------------------|------|------|------|
| Distance from Nozzle (ft) | 3 | 8 | 13 |
| Core Velocity (fpm) | 2280 | 1580 | 1253 |

Sound level measured 10' (3m) from the unit in free field:
3, 5, 7½, (5 + 3) & (5 + 5) hp motor(s):
68 dBA, 70 dBA, 71 dBA, 72 dBA & 73 dBA

Berner reserves the right to alter specifications without prior notice.

www.berner.com Berner International 800.245-4455
111 Progress Ave. / New Castle / PA / 16101 / USA

DS-920
July, 2015



HAZARDOUS LOCATION SERIES 16

Ambient (Unheated) Air Curtain Electrical Performance Sheet

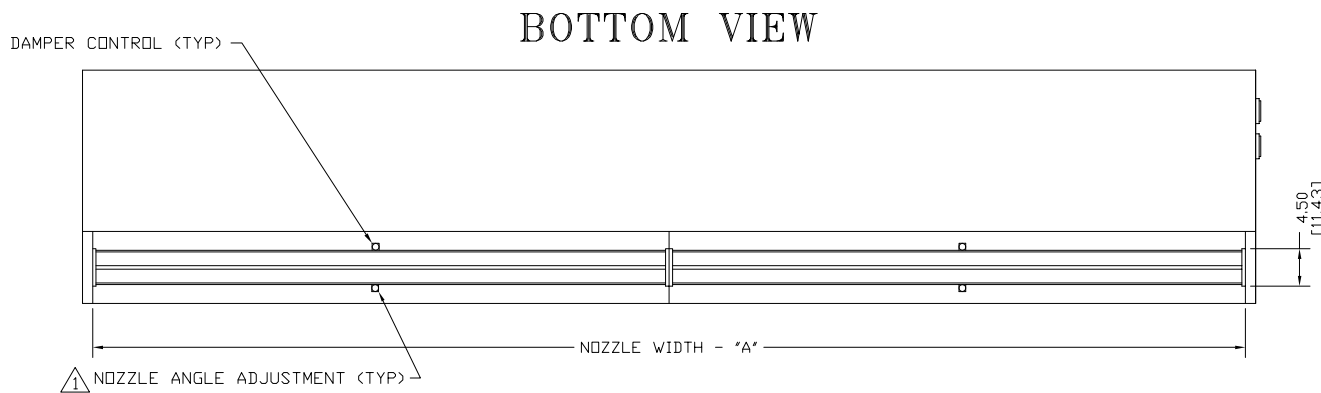
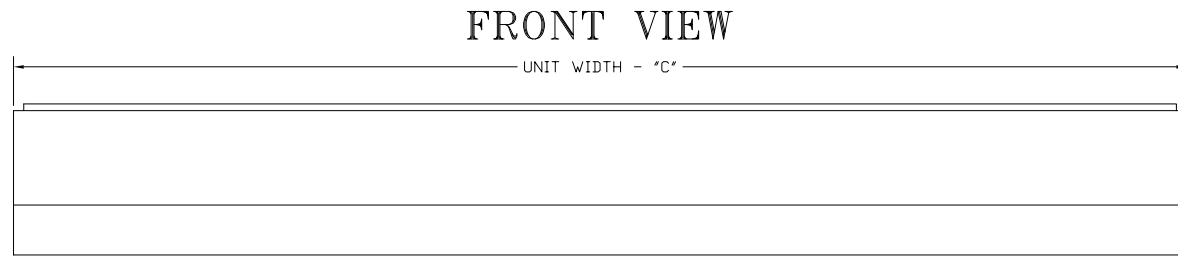
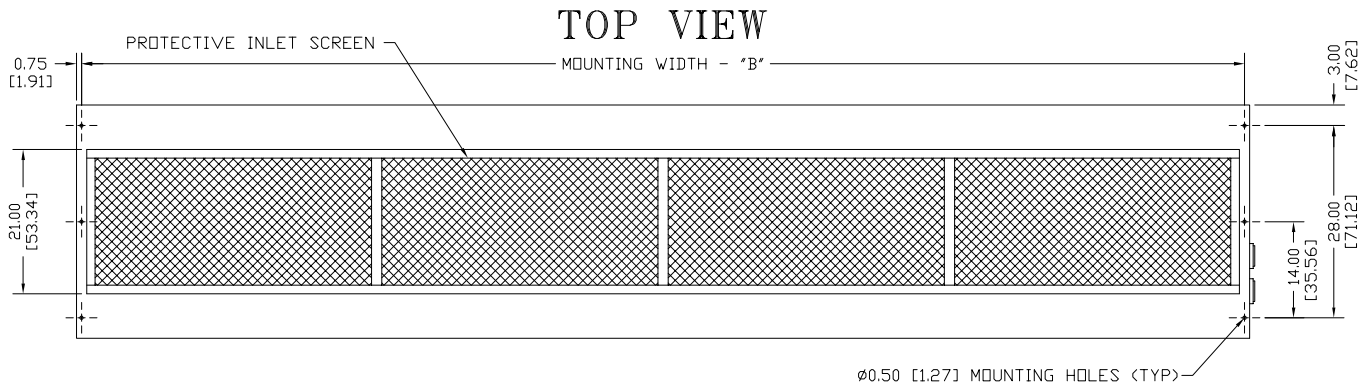
| MODEL | Qty @ HP | # CKTS | 208/3/60 (voltage code D) TOTAL MOTOR AMP DRAW | | 240/3/60 (voltage code E) TOTAL MOTOR AMP DRAW | | 480/3/60 (voltage code H) TOTAL MOTOR AMP DRAW | | 600/3/60 (voltage code I) TOTAL MOTOR AMP DRAW | | | | |
|--|----------------|--------|---|----------------------------|---|------------------|---|--------|---|----------------------------|--------|------------------|----------------------------|
| | | | AMPS PER CIRCUIT | BREAKER RATING PER CIRCUIT | # CKTS | AMPS PER CIRCUIT | BREAKER RATING PER CIRCUIT | # CKTS | AMPS PER CIRCUIT | BREAKER RATING PER CIRCUIT | # CKTS | AMPS PER CIRCUIT | BREAKER RATING PER CIRCUIT |
| HLC16-1060A HLC16-1072A HLC16-1084A | 1 @ 3 | 1 | 10.2 | 25 | 1 | 9.6 | 20 | 1 | 4.8 | 15 | 1 | 3.5 | 15 |
| HLC16-1096A HLC16-1108A | 1 @ 5 | 1 | 17.0 | 35 | 1 | 15.8 | 35 | 1 | 7.9 | 20 | 1 | 5.9 | 15 |
| HLC16-1120A HLC16-1132A HLC16-1144A HLC16-1156A | 1 @ 7.5 | 1 | 23.0 | 50 | 1 | 21.4 | 45 | 1 | 10.7 | 25 | 1 | 8.5 | 20 |
| HLC16-2168A HLC16-2180A | 1 @ 3 1 @ 5 | 1 | 27.2 | 50 | 1 | 25.4 | 50 | 1 | 12.7 | 25 | 1 | 9.4 | 20 |
| HLC16-2192A | 2 @ 5 | 1 | 34.0 | 60 | 1 | 31.6 | 60 | 1 | 15.8 | 25 | 1 | 11.8 | 20 |

Berner reserves the right to alter specifications without prior notice.

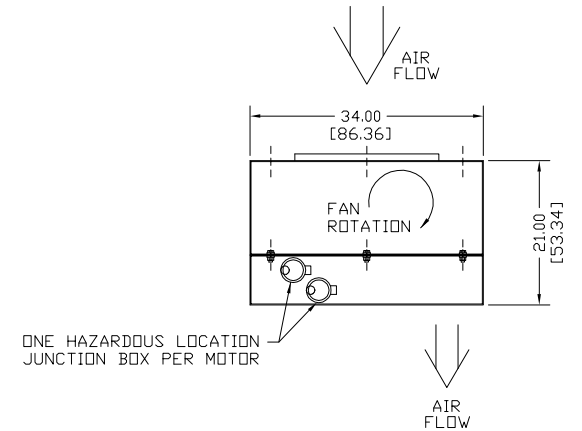
www.berner.com **Berner International** 800.245-4455
111 Progress Ave. / New Castle / PA / 16101 / USA

EP-920
May, 2023

HLC16 AMBIENT SYSTEM TOP INTAKE HAZARDOUS LOCATION



END VIEW



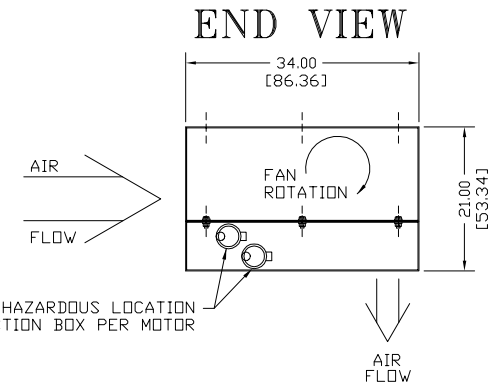
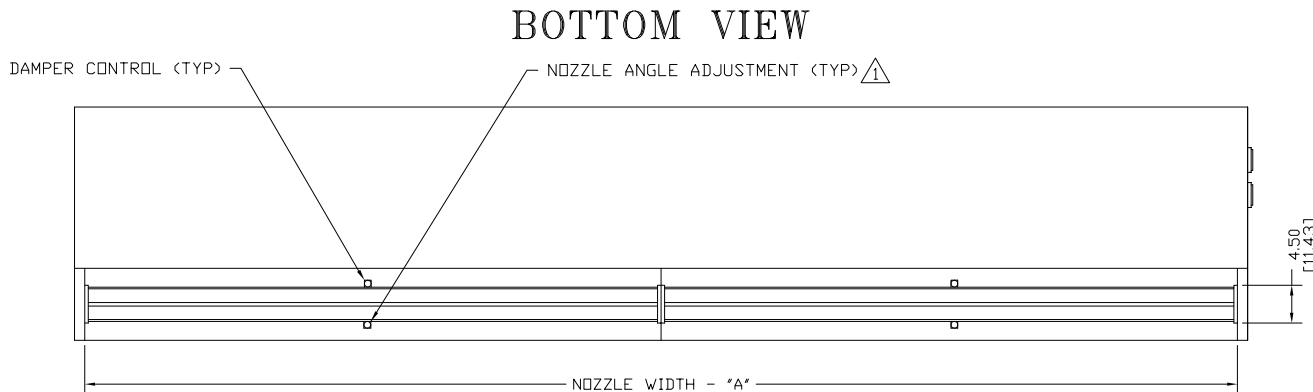
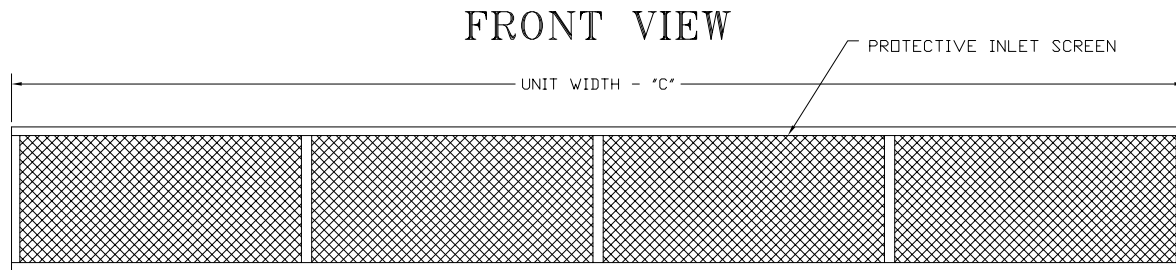
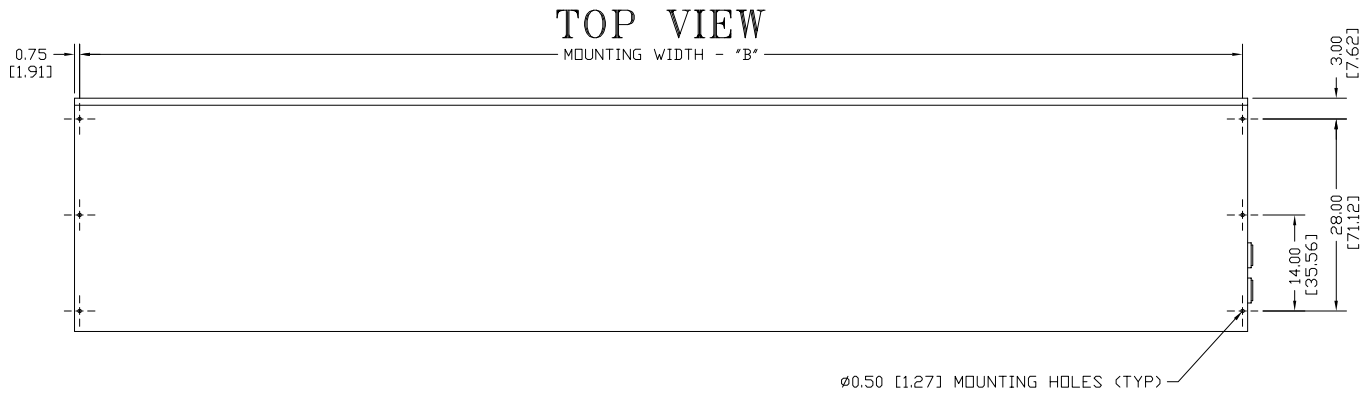
NOTES:

- ① AIR CURTAIN MUST BE INSTALLED SO AIR STREAM IS NOT OBSTRUCTED WHEN DEFLECTED 20° TO EITHER SIDE OF \bar{C}
- ② ELECTRICAL CONNECTIONS TO BE FLEXIBLE.
- ③ FIELD VERIFY DIMENSIONS.
- ④ ANCHORS TO SUPPORTING STRUCTURE BY OTHERS.
- ⑤ ADEQUACY OF SUPPORTING STRUCTURE IS TO BE VERIFIED BY A PROFESSIONAL STRUCTURAL ENGINEER.
- ⑥ LETTER "A" IN MODEL NUMBER DESIGNATES AMBIENT UNIT, THE "T" IS FOR TOP INTAKE.
- ⑦ REMOTE OPTIONAL CONTROL PANEL AVAILABLE; NEMA 4/12 FOR NON HAZARDOUS LOCATION MOUNTING; NEMA 7/9 FOR HAZARDOUS LOCATION MOUNTING. PLEASE SPECIFY.
- ⑧ DIMENSIONS IN INCHES (CENTIMETERS).

| MODEL ⑥ | NOZZLE WIDTH "A" | MOUNTING WIDTH "B" | UNIT WIDTH "C" |
|---------------|------------------|--------------------|-----------------|
| HLC16-1060A-T | 60.00 [152.40] | 61.50 [156.21] | 63.00 [160.02] |
| HLC16-1072A-T | 72.00 [182.88] | 73.50 [186.69] | 75.00 [190.50] |
| HLC16-1084A-T | 84.00 [213.36] | 85.50 [217.17] | 87.00 [220.98] |
| HLC16-1096A-T | 96.00 [243.84] | 97.50 [247.65] | 99.00 [251.46] |
| HLC16-1108A-T | 108.00 [274.32] | 109.50 [278.13] | 111.00 [281.94] |
| HLC16-1120A-T | 117.00 [297.18] | 118.50 [300.99] | 120.00 [304.80] |
| HLC16-1132A-T | 132.00 [335.28] | 133.50 [339.09] | 135.00 [342.90] |
| HLC16-1144A-T | 144.00 [365.76] | 145.50 [369.57] | 147.00 [373.38] |
| HLC16-1156A-T | 156.00 [396.24] | 157.50 [400.05] | 159.00 [403.86] |
| HLC16-2168A-T | 168.00 [426.72] | 169.50 [430.53] | 171.00 [434.34] |
| HLC16-2180A-T | 180.00 [457.20] | 181.50 [461.01] | 183.00 [464.82] |
| HLC16-2192A-T | 192.00 [487.68] | 193.50 [491.49] | 195.00 [495.30] |

| | | |
|-----------|------------|---|
| PROJECT | | TITLE: BERNER |
| LOCATION | | MODEL HLC16 AIR CURTAIN |
| ARCHITECT | | HAZARDOUS LOCATION TOP INTAKE AMBIENT SYSTEM |
| ENGINEER | | |
| DWG. NO. | HLC16-AMBI | |
| DATE | 17JUNE14 | |
| BY | S. Beil | |
| REPLACES | - | |
| BY | - | BERNER INTERNATIONAL CORP. NEW CASTLE, PA. |

HLC16 AMBIENT SYSTEM FRONT INTAKE HAZARDOUS LOCATION



| MODEL ^⑥ | NOZZLE WIDTH "A" | MOUNTING WIDTH "B" | UNIT WIDTH "C" |
|--------------------|---------------------|-----------------------|-------------------|
| HLC16-1060A-F | 60.00 [152.40] | 61.50 [156.21] | 63.00 [160.02] |
| HLC16-1072A-F | 72.00 [182.88] | 73.50 [186.69] | 75.00 [190.50] |
| HLC16-1084A-F | 84.00 [213.36] | 85.50 [217.17] | 87.00 [220.98] |
| HLC16-1096A-F | 96.00 [243.84] | 97.50 [247.65] | 99.00 [251.46] |
| HLC16-1108A-F | 108.00 [274.32] | 109.50 [278.13] | 111.00 [281.94] |
| HLC16-1120A-F | 117.00 [297.18] | 118.50 [300.99] | 120.00 [304.80] |
| HLC16-1132A-F | 132.00 [335.28] | 133.50 [339.09] | 135.00 [342.90] |
| HLC16-1144A-F | 144.00 [365.76] | 145.50 [369.57] | 147.00 [373.38] |
| HLC16-1156A-F | 156.00 [396.24] | 157.50 [400.05] | 159.00 [403.86] |
| HLC16-2168A-F | 168.00 [426.72] | 169.50 [430.53] | 171.00 [434.34] |
| HLC16-2180A-F | 180.00 [457.20] | 181.50 [461.01] | 183.00 [464.82] |
| HLC16-2192A-F | 192.00 [487.68] | 193.50 [491.49] | 195.00 [495.30] |

NOTES:

- ① AIR CURTAIN MUST BE INSTALLED SO AIR STREAM IS NOT OBSTRUCTED WHEN DEFLECTED 20° TO EITHER SIDE OF \bar{C} .
- ② ELECTRICAL CONNECTIONS TO BE FLEXIBLE.
- ③ FIELD VERIFY DIMENSIONS.
- ④ ANCHORS TO SUPPORTING STRUCTURE BY OTHERS.
- ⑤ ADEQUACY OF SUPPORTING STRUCTURE IS TO BE VERIFIED BY A PROFESSIONAL STRUCTURAL ENGINEER.
- ⑥ LETTER "A" IN MODEL NUMBER DESIGNATES AMBIENT UNIT, THE "F" IS FOR FRONT INTAKE.
- ⑦ REMOTE OPTIONAL CONTROL PANEL AVAILABLE; NEMA 4/12 FOR NON HAZARDOUS LOCATION MOUNTING; NEMA 7/9 FOR HAZARDOUS LOCATION MOUNTING. PLEASE SPECIFY.
- ⑧ DIMENSIONS IN INCHES (CENTIMETERS).

| | | |
|-----------|------------|--|
| PROJECT | | |
| LOCATION | | |
| ARCHITECT | | |
| ENGINEER | | |
| DWG. NO. | HLC16-AMB2 | TITLE: BERNER |
| DATE | 17JUNE14 | MODEL HLC16 AIR CURTAIN |
| BY | S. Beil | HAZARDOUS LOCATION FRONT INTAKE AMBIENT SYSTEM |
| REPLACES | - | |
| BY | - | BERNER INTERNATIONAL CORP. NEW CASTLE, PA. |