



HAZARDOUS LOCATION SERIES 20

Ambient (Unheated) Air Curtain

Data Sheet

For Door Heights To 20' (environmental separation) and 18' (insect control)

STANDARD CONSTRUCTION

- Constructed for Class I, Division 1 & 2, Groups C & D
- Constructed for Class II, Division 1 & 2, Groups F & G
- Explosion proof single speed motor(s) temperature code T3C
- Interior and exterior gray zinc epoxy powder coated aluminized steel cabinet and screen
- Split cabinet construction for fan assembly removal
- External mount explosion proof junction box (One per motor)
- Aluminum impellers in zinc epoxy powder coated galvanized steel housing
- Fiberglass air diverters, factory assembled to the outlet of each blower housing
- Top Mounting only
- High efficiency Pro-V Nozzle

**5 Year
Limited
Warranty**



MODEL	Nozzle Width (in)	Max Vel. at Nozzle (fpm)	Avg. Outlet Vel. (fpm)	Air Volume (cfm)	Outlet Vel. Uniformity	Power Rating (kW)	Motor(s) @ hp	Net Wt. (lbs)
HLC20-1060A	60.00	6,580	4,181	7,403	89%	4.70	1 @ 5	432
HLC20-1072A	72.00	6,549	3,852	8,186	89%	4.90	1 @ 5	477
HLC20-1084A	84.00	6,076	3,574	8,861	87%	4.90	1 @ 5	522
HLC20-1096A	96.00	6,900	4,059	11,500	92%	6.80	1 @ 7½	800
HLC20-1108A	108.00	6,747	3,969	12,650	90%	6.90	1 @ 7½	880
HLC20-1120A	117.00	7,494	4,523	15,612	88%	8.70	1 @ 10	950
HLC20-1132A	132.00	7,017	4,127	16,080	87%	8.90	1 @ 10	995
HLC20-1144A	144.00	7,640	4,381	19,100	87%	11.70	1 @ 15	1,035
HLC20-1156A	156.00	7,405	4,356	20,055	86%	11.90	1 @ 15	1,140
HLC20-1168A	168.00	7,783	4,323	22,700	90%	12.80	1 @ 15	1,225
HLC20-1180A	180.00	7,300	4,294	22,814	91%	12.90	1 @ 15	1,270
HLC20-2192A	192.00	6,900	4,059	23,000	92%	13.60	2 @ 7½	1,390

NOTES:

1. Consult factory for 50 Hz operation.
2. Performance data based on AMCA licensed data from unheated IDC20 units.
3. Vertically mounted Hazardous Location Series air curtains not available.

See sheet EP-930 for amp draws/total load requirements.

MODEL NUMBER CONFIGURATION

HLC20-1 060 A D-F

Series	# of Motors	Opening Width	Heat	Voltage	Intake
HLC20	1, 2	060" - 192"	A=Ambient	D=208/3/60 E=240/3/60 H=480/3/60 I=600/3/60	T=Top F=Front

VELOCITY PROFILE: Model HLC20-1060A			
Distance from Nozzle (ft)	3	10	17
Core Velocity (fpm)	3027	1967	1500

Sound level measured 10' (3m) from the unit in free field:
5, 7½, 10, 15 & (7½ + 7½) hp motor(s):
73 dBA, 75 dBA, 76 dBA, 78 dBA & 78 dBA

Berner reserves the right to alter specifications without prior notice.

www.berner.com **Berner International** 800.245-4455
111 Progress Ave. / New Castle / PA / 16101 / USA

DS-930
July, 2015



HAZARDOUS LOCATION SERIES 20

Ambient (Unheated) Air Curtain Electrical Performance Sheet

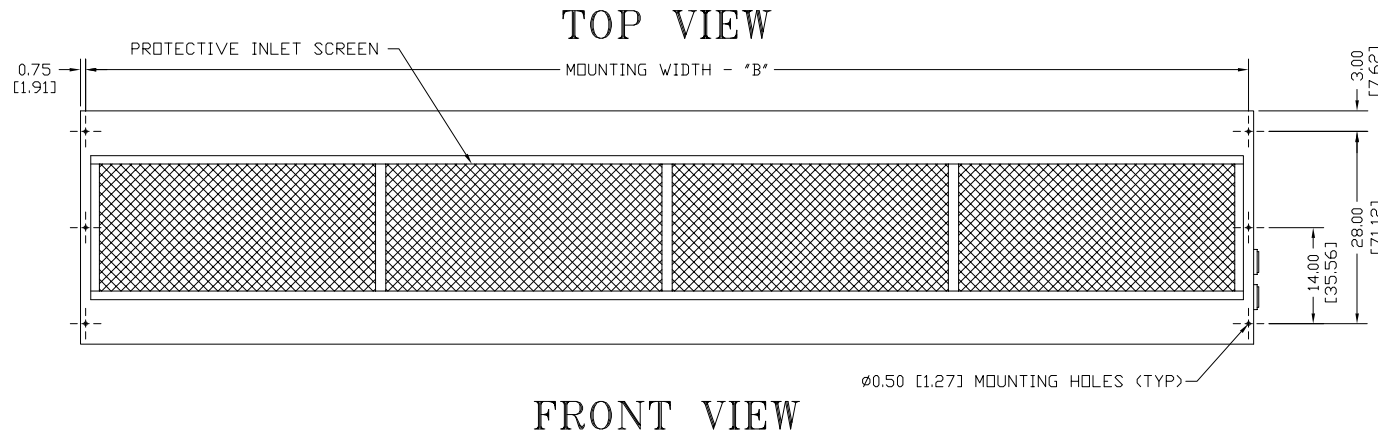
MODEL	Qty @ HP	# CKTS	208/3/60 (voltage code D) TOTAL MOTOR AMP DRAW		# CKTS	240/3/60 (voltage code E) TOTAL MOTOR AMP DRAW		# CKTS	480/3/60 (voltage code H) TOTAL MOTOR AMP DRAW		# CKTS	600/3/60 (voltage code I) TOTAL MOTOR AMP DRAW	
			AMPS PER CIRCUIT	BREAKER RATING PER CIRCUIT		AMPS PER CIRCUIT	BREAKER RATING PER CIRCUIT		AMPS PER CIRCUIT	BREAKER RATING PER CIRCUIT		AMPS PER CIRCUIT	BREAKER RATING PER CIRCUIT
HLC20-1060A HLC20-1072A HLC20-1084A	1 @ 5	1	17.0	35	1	15.8	35	1	7.9	20	1	5.9	15
HLC20-1096A HLC20-1108A	1 @ 7.5	1	23.0	50	1	21.4	45	1	10.7	25	1	8.5	20
HLC20-1120A HLC20-1132A	1 @ 10	1	31.2	70	1	31.0	70	1	15.5	35	1	12.0	25
HLC20-1144A HLC20-1156A HLC20-1168A HLC20-1180A	1 @ 15	1	42.0	100	1	42.0	100	1	21.0	45	1	16.0	35
HLC20-2192A	2 @ 7.5	1	46.0	70	1	42.8	70	1	21.4	35	1	17.0	30

Berner reserves the right to alter specifications without prior notice.

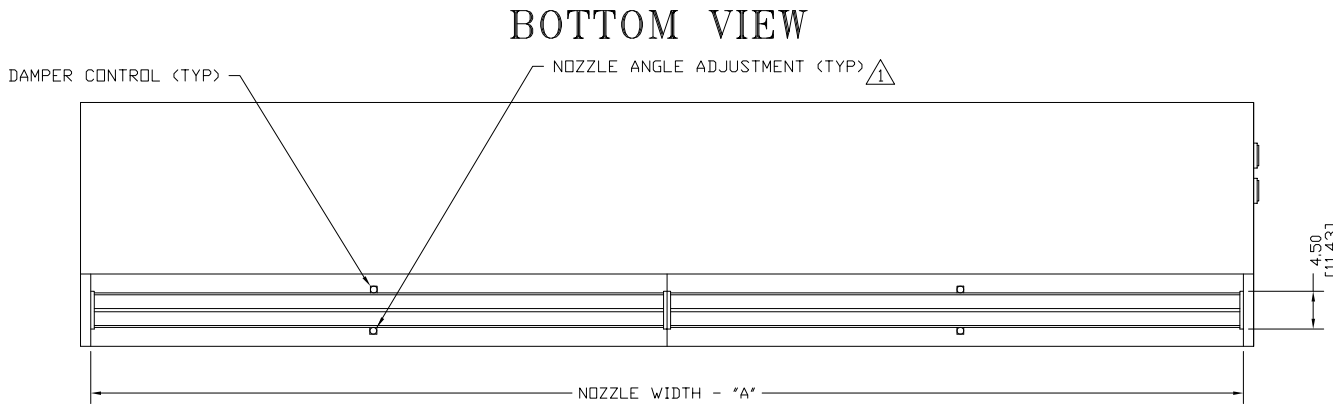
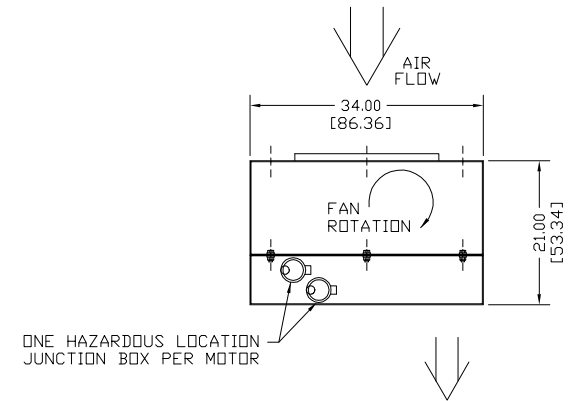
www.berner.com Berner International 800.245-4455
111 Progress Ave. / New Castle / PA / 16101 / USA

EP-930
May, 2023

HLC20 AMBIENT SYSTEM TOP INTAKE HAZARDOUS LOCATION



END VIEW



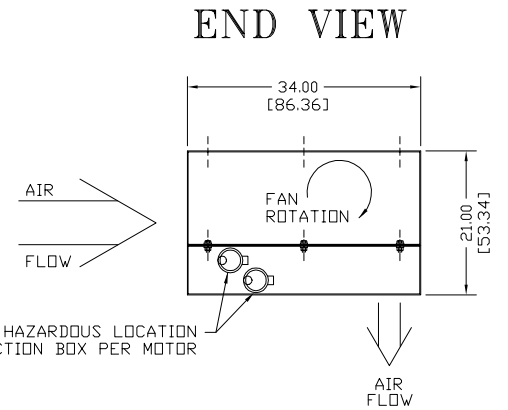
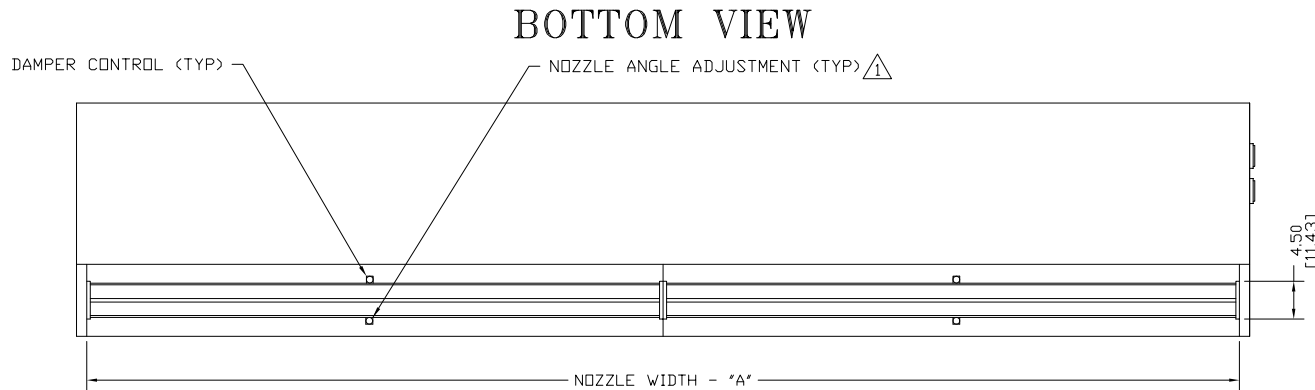
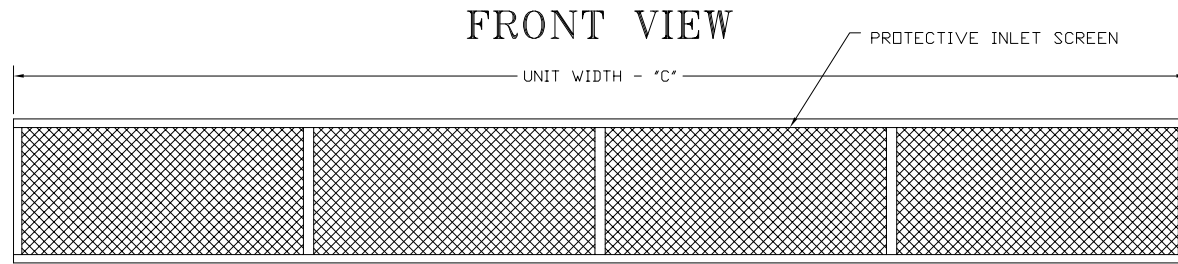
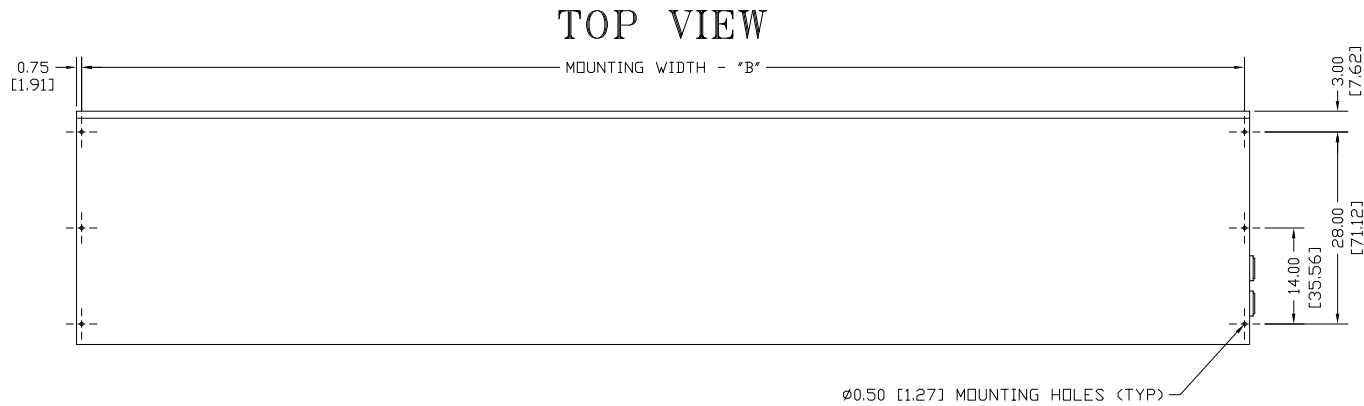
MODEL ⑥	NOZZLE WIDTH "A"	MOUNTING WIDTH "B"	UNIT WIDTH "C"
HLC20-1060A-T	60.00 [152.40]	61.50 [156.21]	63.00 [160.02]
HLC20-1072A-T	72.00 [182.88]	73.50 [186.69]	75.00 [190.50]
HLC20-1084A-T	84.00 [213.36]	85.50 [217.17]	87.00 [220.98]
HLC20-1096A-T	96.00 [243.84]	97.50 [247.65]	99.00 [251.46]
HLC20-1108A-T	108.00 [274.32]	109.50 [278.13]	111.00 [281.94]
HLC20-1120A-T	117.00 [297.18]	118.50 [300.99]	120.00 [304.80]
HLC20-1132A-T	132.00 [335.28]	133.50 [339.09]	135.00 [342.90]
HLC20-1144A-T	144.00 [365.76]	145.50 [369.57]	147.00 [373.38]
HLC20-1156A-T	156.00 [396.24]	157.50 [400.05]	159.00 [403.86]
HLC20-1168A-T	168.00 [426.72]	169.50 [430.53]	171.00 [434.34]
HLC20-1180A-T	180.00 [457.20]	181.50 [461.01]	183.00 [464.82]
HLC20-2192A-T	192.00 [487.68]	193.50 [491.49]	195.00 [495.30]

NOTES:

- ① AIR CURTAIN MUST BE INSTALLED SO AIR STREAM IS NOT OBSTRUCTED WHEN DEFLECTED 20° TO EITHER SIDE OF C.
- ② ELECTRICAL CONNECTIONS TO BE FLEXIBLE.
- ③ FIELD VERIFY DIMENSIONS.
- ④ ANCHORS TO SUPPORTING STRUCTURE BY OTHERS.
- ⑤ ADEQUACY OF SUPPORTING STRUCTURE IS TO BE VERIFIED BY A PROFESSIONAL STRUCTURAL ENGINEER.
- ⑥ LETTER "A" IN MODEL NUMBER DESIGNATES AMBIENT UNIT, THE "T" IS FOR TOP INTAKE.
- ⑦ REMOTE OPTIONAL CONTROL PANEL AVAILABLE; NEMA 4/12 FOR NON HAZARDOUS LOCATION MOUNTING; NEMA 7/9 FOR HAZARDOUS LOCATION MOUNTING. PLEASE SPECIFY.
- ⑧ DIMENSIONS IN INCHES (CENTIMETERS).

PROJECT		
LOCATION		
ARCHITECT		
ENGINEER		
DWG. NO.	HLC20-AMBI	TITLE: BERNER
DATE	18 JUNE 14	MODEL HLC20 AIR CURTAIN
BY	S. Beil	HAZARDOUS LOCATION TOP INTAKE AMBIENT SYSTEM
REPLACES	-	
BY	-	BERNER INTERNATIONAL CORP. NEW CASTLE, PA.

HLC20 AMBIENT SYSTEM FRONT INTAKE HAZARDOUS LOCATION



MODEL ⚠	NOZZLE WIDTH "A"	MOUNTING WIDTH "B"	UNIT WIDTH "C"
HLC20-1060A-F	60.00 [152.40]	61.50 [156.21]	63.00 [160.02]
HLC20-1072A-F	72.00 [182.88]	73.50 [186.69]	75.00 [190.50]
HLC20-1084A-F	84.00 [213.36]	85.50 [217.17]	87.00 [220.98]
HLC20-1096A-F	96.00 [243.84]	97.50 [247.65]	99.00 [251.46]
HLC20-1108A-F	108.00 [274.32]	109.50 [278.13]	111.00 [281.94]
HLC20-1120A-F	117.00 [297.18]	118.50 [300.99]	120.00 [304.80]
HLC20-1132A-F	132.00 [335.28]	133.50 [339.09]	135.00 [342.90]
HLC20-1144A-F	144.00 [365.76]	145.50 [369.57]	147.00 [373.38]
HLC20-1156A-F	156.00 [396.24]	157.50 [400.05]	159.00 [403.86]
HLC20-1168A-F	168.00 [426.72]	169.50 [430.53]	171.00 [434.34]
HLC20-1180A-F	180.00 [457.20]	181.50 [461.01]	183.00 [464.82]
HLC20-2192A-F	192.00 [487.68]	193.50 [491.49]	195.00 [495.30]

NOTES:

- ⚠ AIR CURTAIN MUST BE INSTALLED SO AIR STREAM IS NOT OBSTRUCTED WHEN DEFLECTED 20° TO EITHER SIDE OF C.
- ⚡ ELECTRICAL CONNECTIONS TO BE FLEXIBLE.
- ⚠ FIELD VERIFY DIMENSIONS.
- ⚠ ANCHORS TO SUPPORTING STRUCTURE BY OTHERS.
- ⚠ ADEQUACY OF SUPPORTING STRUCTURE IS TO BE VERIFIED BY A PROFESSIONAL STRUCTURAL ENGINEER.
- ⚠ LETTER "A" IN MODEL NUMBER DESIGNATES AMBIENT UNIT, THE "F" IS FOR FRONT INTAKE.
- ⚠ REMOTE OPTIONAL CONTROL PANEL AVAILABLE: NEMA 4/12 FOR NON HAZARDOUS LOCATION MOUNTING; NEMA 7/9 FOR HAZARDOUS LOCATION MOUNTING. PLEASE SPECIFY.
- ⚠ DIMENSIONS IN INCHES (CENTIMETERS).

PROJECT		
LOCATION		
ARCHITECT		
ENGINEER		
DWG. NO.	HLC20-AMB2	TITLE: BERNER
DATE	18JUNE14	MODEL HLC20 AIR CURTAIN
BY	S. Beil	HAZARDOUS LOCATION FRONT INTAKE AMBIENT SYSTEM
REPLACES	-	
BY	-	BERNER INTERNATIONAL CORP. NEW CASTLE, PA.