



# INDUSTRIAL BELT DRIVE 20

## Direct Gas Heated Air Curtain 100° Temp. Rise

### Data Sheet

For Mounting Heights To 20' (environmental separation)

#### STANDARD CONSTRUCTION

- Single speed T.E.F.C. motor - belt drive
- Gray powder coated exterior (Optional: Custom Color or Stainless)
- Split cabinet construction for fan assembly removal
- Removable access panels
- Top Mounting only
- Front air intake (Optional: top)
- Motor location top right (Optional: top left, front left or front right)

- Factory mounted duct transition with bottom access panels
- Factory mounted modulating direct fired heater with FM/IRI gas train
  - Factory mounted wired heater control panel
  - Steel cabinet with gray finish
  - Spark ignited intermittent pilot

**2 Year  
Limited  
Warranty**



MODEL	Nozzle Width (in)	Max Vel. at Nozzle (fpm)	Avg. Outlet Vel. (fpm)	Air Volume (cfm)	Outlet Vel. Uniformity	Power Rating (kW)	Motor @ HP	Heater Output (MBH)	Gas Train Size	Max Air Temp. Rise (°F)	Net Wt. Air Curtain (lbs)	Net Wt. Duct Trans. (lbs)	Net Wt. Burner Box (lbs)
IBC20-1060D	60.00	6,580	3,870	6,854	89%	4.70	1 @ 5	803.7	3/4"	108°	445	82	220
IBC20-1072D	72.00	6,549	3,852	8,186	89%	4.90	1 @ 5	888.6	1"	100°	496	91	270
IBC20-1084D	84.00	6,076	3,574	8,861	87%	4.90	1 @ 5	961.5	1"	100°	547	106	270
IBC20-1096D	96.00	6,900	4,059	11,500	92%	6.80	1 @ 7½	1,247.5	1"	100°	673	115	310
IBC20-1108D	108.00	6,747	3,969	12,650	90%	6.90	1 @ 7½	1,372.8	1 1/4"	100°	759	125	360
IBC20-1120D	117.00	7,494	4,523	15,612	88%	8.70	1 @ 10	1,694.3	1 1/4"	100°	834	130	400
IBC20-1132D	132.00	7,017	4,127	16,080	87%	8.90	1 @ 10	1,744.6	1 1/4"	100°	886	143	440
IBC20-1144D	144.00	7,640	4,381	19,100	87%	11.70	1 @ 15	2,072.0	1 1/4"	100°	932	152	480
IBC20-1156D	156.00	7,405	4,356	20,055	86%	11.90	1 @ 15	2,176.5	1 1/4"	100°	1,043	163	510
IBC20-1168D	168.00	7,783	4,323	22,700	90%	12.80	1 @ 15	2,462.5	1 1/2"	100°	1,134	177	540
IBC20-1180D	180.00	7,300	4,294	22,814	91%	12.90	1 @ 15	2,475.3	1 1/2"	100°	1,185	192	540
IBC20-1192D	192.00	6,900	4,059	23,000	92%	13.60	1 @ 15	2,495.1	1 1/2"	100°	1,311	207	540

#### NOTES:

1. Operation at 50 Hz will generate approximately a 17% reduction in performance. Consult factory for gas heater sizing.
2. Performance data based on AMCA licensed data from unheated units.
3. Gas supply pressure: (Min 1.0 psi or 27 inch wc) to (Max 5.0 psi or 138 inch wc)
4. If incoming supply psi is greater than 5 psi, primary reducing regulator required and sized for incoming psi down to 5 psi.
5. Maximum leaving air temperature shall not exceed 120°F.
6. CAUTION: Direct Gas Heaters are not intended for use in high humidity applications.
7. Duct transition and direct fired gas heater are factory mounted to air curtain and each require individual support.

See sheet EP-459 for amp draws/total load requirements.

### MODEL NUMBER CONFIGURATION

**IBC20-1 060 D D-F T-SS**

Series	# of Motors	Opening Width	Heat	Voltage	Intake	Motor Location	Opt. Cabinet Finish
IBC20	1	060" - 192"	D=Direct Gas Heated	D=208/3/60 E=240/3/60 H=480/3/60 I=600/3/60 T=380/3/50	T=Top F=Front	T=Top F=Front	SS=Stainless Steel CC=Custom Color

Sound level measured 10' (3m) from the unit in free field:  
5, 7½, 10 & 15 hp motor(s):  
73 dBA, 75 dBA, 76 dBA & 78 dBA

Berner reserves the right to alter specifications without prior notice.

**www.berner.com Berner International 800.245.4455**  
111 Progress Ave. / New Castle / PA / 16101 / USA

DS-459B  
May, 2023



# INDUSTRIAL BELT DRIVE 20

## Direct Gas Heated Air Curtain Electrical Performance Sheet

		208/3/60 (voltage code D) TOTAL MOTOR AMP DRAW			240/3/60 (voltage code E) TOTAL MOTOR AMP DRAW			480/3/60 (voltage code H) TOTAL MOTOR AMP DRAW		
MODEL	Qty @ HP	# CKTS	AMPS PER CIRCUIT	BREAKER RATING PER CIRCUIT	# CKTS	AMPS PER CIRCUIT	BREAKER RATING PER CIRCUIT	# CKTS	AMPS PER CIRCUIT	BREAKER RATING PER CIRCUIT
IBC20-1060D IBC20-1072D IBC20-1084D	1 @ 5	1	17.2	30	1	15.4	30	1	7.8	15
IBC20-1096D IBC20-1108D	1 @ 7.5	1	23.6	50	1	21.3	45	1	10.7	25
IBC20-1120D IBC20-1132D	1 @ 10	1	30.1	60	1	27.0	60	1	13.6	30
IBC20-1144D IBC20-1156D IBC20-1168D IBC20-1180D IBC20-1192D	1 @ 15	1	43.6	100	1	40.1	100	1	20.0	45

		600/3/60 (voltage code I) TOTAL MOTOR AMP DRAW			380/3/50 (voltage code T) TOTAL MOTOR AMP DRAW		
MODEL	Qty @ HP	# CKTS	AMPS PER CIRCUIT	BREAKER RATING PER CIRCUIT	# CKTS	AMPS PER CIRCUIT	BREAKER RATING PER CIRCUIT
IBC20-1060D IBC20-1072D IBC20-1084D	1 @ 5	1	6.4	15	1	8.2	15
IBC20-1096D IBC20-1108D	1 @ 7.5	1	8.5	15	1	11.1	25
IBC20-1120D IBC20-1132D	1 @ 10	1	10.9	20	1	14.0	30
IBC20-1144D IBC20-1156D IBC20-1168D IBC20-1180D IBC20-1192D	1 @ 15	1	15.9	30	1	20.4	45

\* Includes 750VA transformer load for gas fired burner panel.

Berner reserves the right to alter specifications without prior notice.

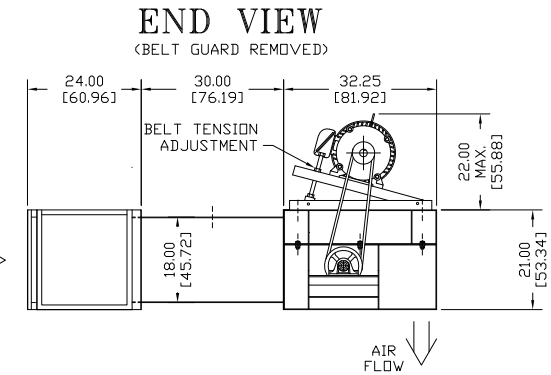
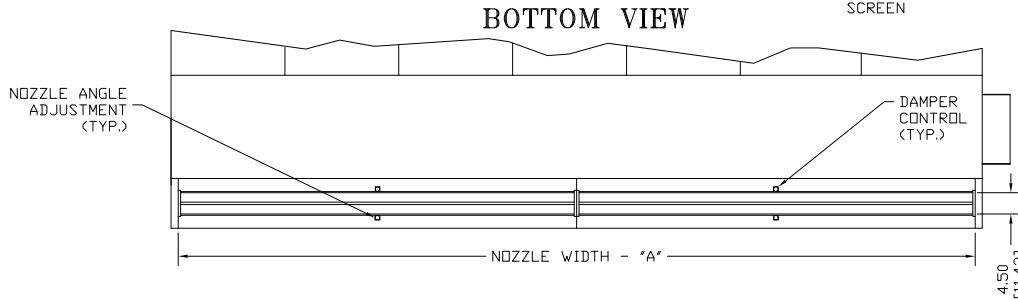
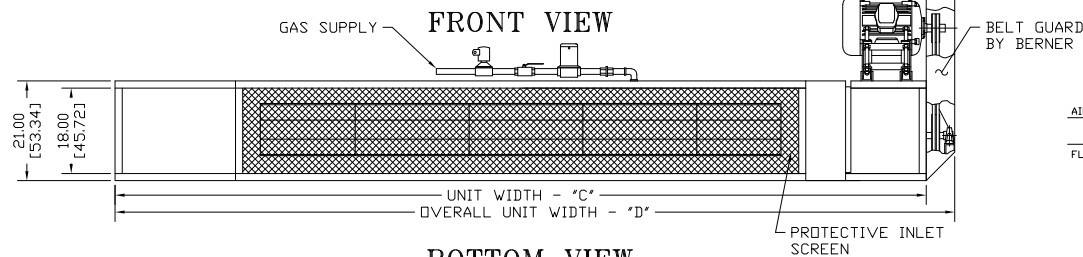
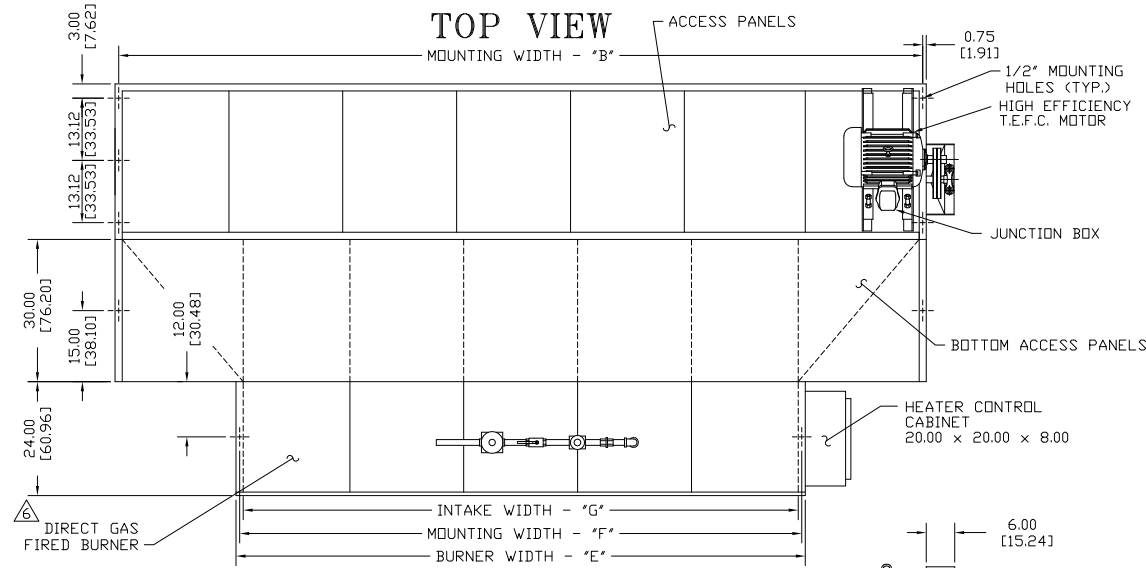
[www.berner.com](http://www.berner.com) **Berner International** 800.245-4455  
111 Progress Ave. / New Castle / PA / 16101 / USA

EP-459  
December, 2018

# IBC20 DIRECT GAS FIRED ONE HEATER SYSTEM FRONT INTAKE TOP MOTOR MOUNT

## CAUTION:

HEATER IS EQUIPPED FOR A MAXIMUM GAS SUPPLY PRESSURE OF 1# TO 5#.



## NOTES:

- ⚠ AIR CURTAIN MUST BE INSTALLED SO AIR STREAM IS NOT OBSTRUCTED WHEN DEFLECTED 20° TO EITHER SIDE OF C.
- ⚠ ELECTRICAL CONNECTIONS TO BE FLEXIBLE.
- ⚠ FIELD VERIFY DIMENSIONS.
- ⚠ ANCHORS TO SUPPORTING STRUCTURE BY OTHERS.
- ⚠ ADEQUACY OF SUPPORTING STRUCTURE IS TO BE VERIFIED BY A PROFESSIONAL STRUCTURAL ENGINEER.
- ⚠ LETTER "D" IN MODEL NUMBER DESIGNATES, DIRECT GAS HEATED UNIT. "F" DESIGNATES FRONT INTAKE, "T" IS TOP MOTOR.
- ⚠ SUPPORT DIRECT GAS HEATERS SEPARATELY FROM UNIT.
- ⚠ DIMENSIONS IN INCHES (CENTIMETERS).

MODEL	NOZZLE WIDTH "A"	MOUNTING WIDTH "B"	UNIT WIDTH "C"	OVERALL WIDTH "D"	BURNER WIDTH "E"	MOUNTING WIDTH "F"	INTAKE WIDTH "G"
IBC20-1060D-FT	60.00 [152.40]	61.50 [156.21]	63.00 [160.02]	69.00 [175.26]	39.00 [99.06]	37.50 [95.25]	36.00 [91.44]
IBC20-1072D-FT	72.00 [182.88]	73.50 [186.69]	75.00 [190.50]	81.00 [205.74]	51.00 [129.54]	49.50 [125.73]	48.00 [121.92]
IBC20-1084D-FT	84.00 [213.36]	85.50 [217.17]	87.00 [220.98]	93.00 [236.22]	51.00 [129.54]	49.50 [125.73]	48.00 [121.92]
IBC20-1096D-FT	96.00 [243.84]	97.50 [247.65]	99.00 [251.46]	105.00 [266.70]	63.00 [160.02]	61.50 [156.21]	60.00 [152.40]
IBC20-1108D-FT	108.00 [274.32]	109.50 [278.13]	111.00 [281.94]	117.00 [297.18]	75.00 [190.50]	73.50 [186.69]	72.00 [182.88]
IBC20-1120D-FT	117.00 [297.18]	118.50 [300.99]	120.00 [304.80]	126.00 [320.04]	87.00 [220.98]	85.50 [217.17]	84.00 [213.36]
IBC20-1132D-FT	132.00 [335.28]	133.50 [339.09]	135.00 [342.90]	141.00 [358.14]	99.00 [251.46]	97.50 [247.65]	96.00 [243.84]
IBC20-1144D-FT	144.00 [365.76]	145.50 [369.57]	147.00 [373.38]	153.00 [388.62]	111.00 [281.94]	109.50 [278.13]	108.00 [274.32]
IBC20-1156D-FT	156.00 [396.24]	157.50 [400.05]	159.00 [403.86]	165.00 [419.10]	120.00 [304.80]	118.50 [300.99]	117.00 [297.18]
IBC20-1168D-FT	168.00 [426.72]	169.50 [430.53]	171.00 [434.34]	177.00 [449.58]	120.00 [304.80]	118.50 [300.99]	117.00 [297.18]
IBC20-1180D-FT	180.00 [457.20]	181.50 [461.01]	183.00 [464.82]	189.00 [480.06]	120.00 [304.80]	118.50 [300.99]	117.00 [297.18]
IBC20-1192D-FT	192.00 [487.68]	193.50 [491.49]	195.00 [495.30]	201.00 [510.54]	120.00 [304.80]	118.50 [300.99]	117.00 [297.18]

PROJECT		
LOCATION		
ARCHITECT		
ENGINEER		
DWG. NO.	IBC20-DGF1-A	TITLE: <b>BERNER</b>
DATE	04APR2021	MODEL IBC20 AIR CURTAIN
BY	S. BEIL	DIRECT GAS FIRED - ONE HEATER SYSTEM
REPLACES	03DEC19	
BY	N. GRADY	BERNER INTERNATIONAL CORP. NEW CASTLE, PA.