



# INDUSTRIAL CORRO-DUTY 20

## Ambient (Unheated) Air Curtain

### Data Sheet

Recommended for Mounting Heights to 20' (environmental separation) and 18' (insect control)

#### STANDARD CONSTRUCTION

- Single speed corro-duty totally enclosed motor(s)
- Stainless steel cabinet with stainless steel inlet screen & access panels
- Stainless steel blower wheels & housings
- Front air intake
- High efficiency Pro-V Nozzle

**5 Year  
Limited  
Warranty**



MODEL	Nozzle Width (in)	Max Vel. at Nozzle (fpm)	Avg. Outlet Vel. (fpm)	Air Volume (cfm)	Outlet Vel. Uniformity	Power Rating (kW)	Motor(s) @ hp	Net Wt. (lbs)
CD20-C-1060A	60.00	6,580	3,870	6,854	89%	4.70	1 @ 5	390
CD20-C-1072A	72.00	6,549	3,852	8,186	89%	4.90	1 @ 5	435
CD20-C-1084A	84.00	6,076	3,574	8,861	87%	4.90	1 @ 5	480
CD20-C-1096A	96.00	6,900	4,059	11,500	92%	6.80	1 @ 7½	600
CD20-C-1108A	108.00	6,747	3,969	12,650	90%	6.90	1 @ 7½	680
CD20-C-1120A	117.00	7,494	4,523	15,612	88%	8.70	1 @ 10	750
CD20-C-1132A	132.00	7,017	4,127	16,080	87%	8.90	1 @ 10	795
CD20-C-1144A	144.00	7,640	4,381	19,100	87%	11.70	1 @ 15	835
CD20-C-1156A	156.00	7,405	4,356	20,055	86%	11.90	1 @ 15	940
CD20-C-1168A	168.00	7,783	4,323	22,700	90%	12.80	1 @ 15	1,025
CD20-C-1180A	180.00	7,300	4,294	22,814	91%	12.90	1 @ 15	1,070
CD20-C-2192A	192.00	6,900	4,059	23,000	92%	13.60	2 @ 7½	1,190

#### NOTES:

1. Operation at 50 Hz will generate approximately a 17% reduction in air performance.
2. Consult factory for vertically mounted units.

See sheet EP-440-CD for amp draws/total load requirements.

### MODEL NUMBER CONFIGURATION

**CD20-C-1 060 A D-F-SS**

Series	# of Motors	Opening Width	Heat	Voltage	Intake	Cabinet Finish
CD20-C	1, 2	060" - 192"	A=Ambient	D=208/3/60 E=240/3/60 H=480/3/60 I=600/3/60	F=Front	SS=Stainless Steel

VELOCITY PROFILE: Model CD20-C-1060A					
Distance from Nozzle (in)	40	80	120	160	200
Core Velocity (fpm)	6480	4600	3507	3213	2947
Uniformity (%)	88	89	90	91	92

Berner reserves the right to alter specifications without prior notice.



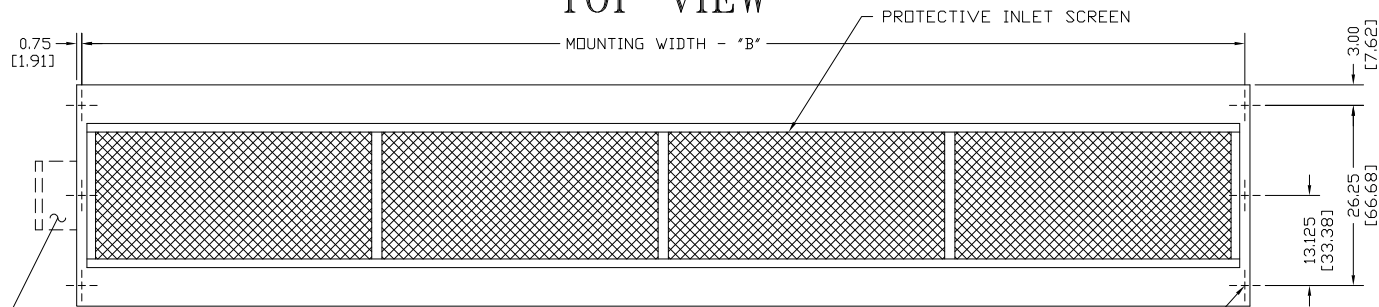
# INDUSTRIAL CORRO-DUTY 20

**Ambient (Unheated) Air Curtain  
Electrical Performance Sheet**

MODEL	Qty @ HP	208/3/60 (voltage code D) TOTAL MOTOR AMP DRAW			240/3/60 (voltage code E) TOTAL MOTOR AMP DRAW			480/3/60 (voltage code H) TOTAL MOTOR AMP DRAW		
		# CKTS	AMPS PER CIRCUIT	BREAKER RATING PER CIRCUIT	# CKTS	AMPS PER CIRCUIT	BREAKER RATING PER CIRCUIT	# CKTS	AMPS PER CIRCUIT	BREAKER RATING PER CIRCUIT
CD20-C-1060A CD20-C-1072A CD20-C-1084A	1 @ 5	1	17.0	35	1	15.8	35	1	7.9	20
CD20-C-1096A CD20-C-1108A	1 @ 7.5	1	23.0	50	1	22.0	45	1	11.0	25
CD20-C-1120A CD20-C-1132A	1 @ 10	1	31.5	60	1	30.6	60	1	15.3	30
CD20-C-1144A CD20-C-1156A CD20-C-1168A CD20-C-1180A	1 @ 15	1	46.0	100	1	44.0	100	1	22.0	45
CD20-C-2192A	2 @ 7.5	1	46.0	70	1	44.0	70	1	22.0	35

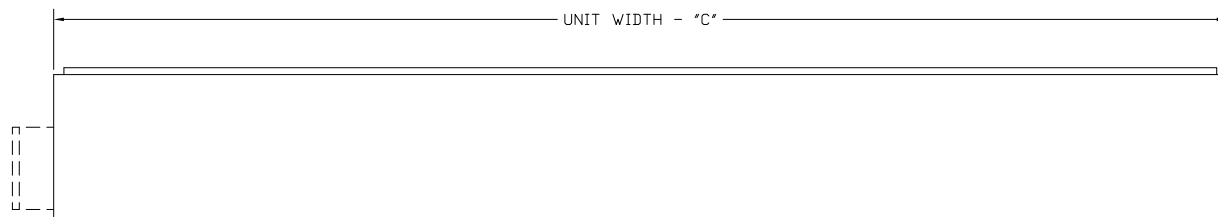
		600/3/60 (voltage code I) TOTAL MOTOR AMP DRAW		
MODEL	Qty @ HP	# CKTS	AMPS PER CIRCUIT	BREAKER RATING PER CIRCUIT
CD20-C-1060A CD20-C-1072A CD20-C-1084A	1 @ 5	1	6.3	15
CD20-C-1096A CD20-C-1108A	1 @ 7.5	1	8.5	20
CD20-C-1120A CD20-C-1132A	1 @ 10	1	11.7	25
CD20-C-1144A CD20-C-1156A CD20-C-1168A CD20-C-1180A	1 @ 15	1	17.5	35
CD20-C-2192A	2 @ 7.5	1	17.0	30

### TOP VIEW

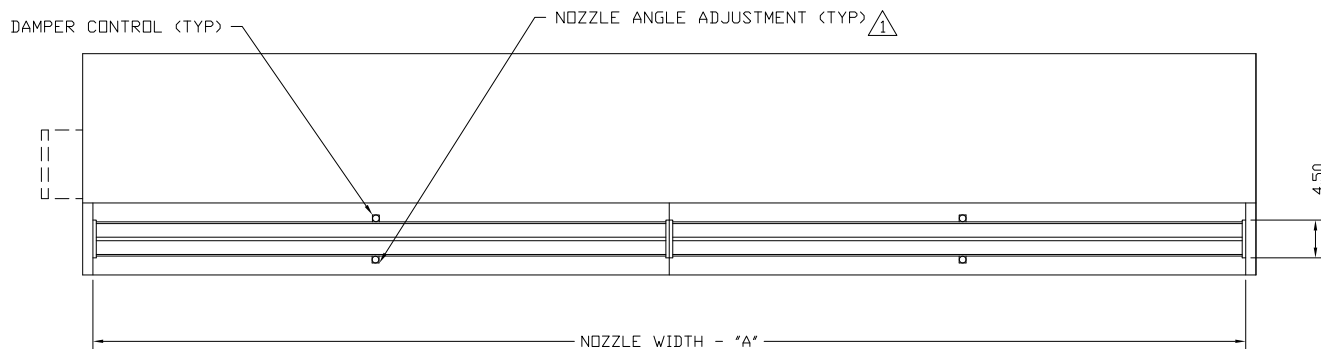


### FRONT VIEW

Ø 0.50 [1.27] MOUNTING HOLES (TYP)



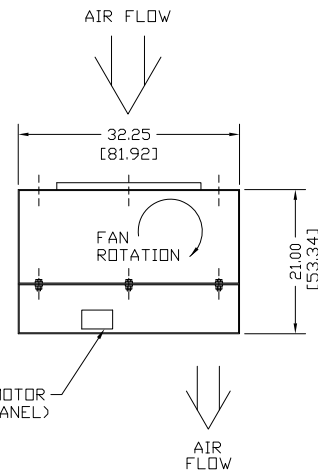
### BOTTOM VIEW



MODEL <sup>△</sup>	NOZZLE WIDTH "A"	MOUNTING WIDTH "B"	UNIT WIDTH "C"
CD20-C-1060A-T	60.00 [152.40]	61.50 [156.21]	63.00 [160.02]
CD20-C-1072A-T	72.00 [182.88]	73.50 [186.69]	75.00 [190.50]
CD20-C-1084A-T	84.00 [213.36]	85.50 [217.17]	87.00 [220.98]
CD20-C-1096A-T	96.00 [243.84]	97.50 [247.65]	99.00 [251.46]
CD20-C-1108A-T	108.00 [274.32]	109.50 [278.13]	111.00 [281.94]
CD20-C-1120A-T	117.00 [297.18]	118.50 [300.99]	120.00 [304.80]
CD20-C-1132A-T	132.00 [335.28]	133.50 [339.09]	135.00 [342.90]
CD20-C-1144A-T	144.00 [365.76]	145.50 [369.57]	147.00 [373.38]
CD20-C-1156A-T	156.00 [396.24]	157.50 [400.05]	159.00 [403.86]
CD20-C-1168A-T	168.00 [426.72]	169.50 [430.53]	171.00 [434.34]
CD20-C-1180A-T	180.00 [457.20]	181.50 [461.01]	183.00 [464.82]
CD20-C-2192A-T	192.00 [487.68]	193.50 [491.49]	195.00 [495.30]

# CD20-C AMBIENT SYSTEM TOP INTAKE

### END VIEW



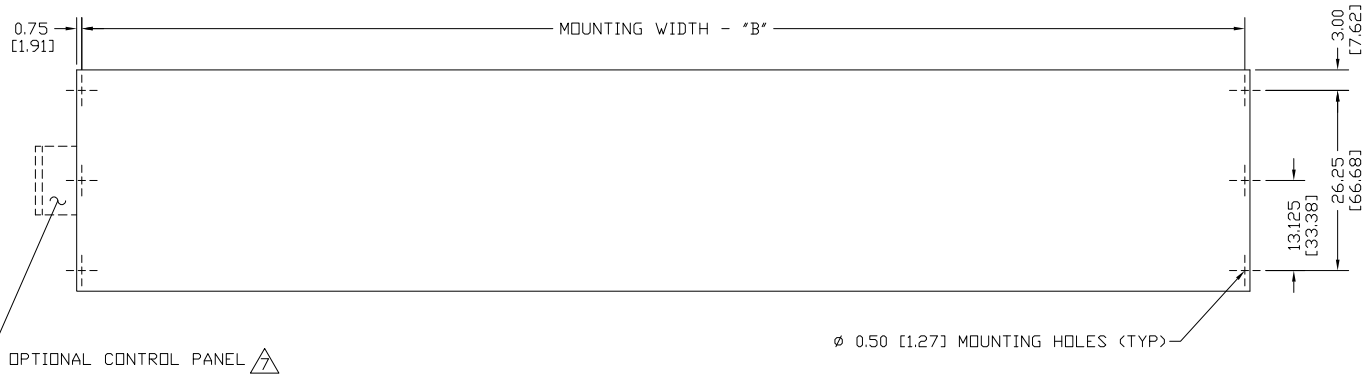
ONE JUNCTION BOX PER MOTOR  
(REQUIRED FOR REMOTE PANEL)  
2.75 x 4.50 x 2.00  
[6.99 x 11.43 x 5.08]

### NOTES:

1. AIR CURTAIN MUST BE INSTALLED SO AIR STREAM IS NOT OBSTRUCTED WHEN DEFLECTED 20° TO EITHER SIDE OF C.
2. ELECTRICAL CONNECTIONS TO BE FLEXIBLE.
3. FIELD VERIFY DIMENSIONS.
4. ANCHORS TO SUPPORTING STRUCTURE BY OTHERS.
5. ADEQUACY OF SUPPORTING STRUCTURE IS TO BE VERIFIED BY A PROFESSIONAL STRUCTURAL ENGINEER.
6. LETTER "A" IN MODEL NUMBER DESIGNATES, AN AMBIENT UNIT. THE "T" DESIGNATES TOP INTAKE.
7. OPTIONAL CONTROL PANEL AVAILABLE: LEFT HAND MOUNT, RIGHT HAND MOUNT, OR REMOTE. PLEASE SPECIFY.
8. DIMENSIONS IN INCHES [CENTIMETERS].

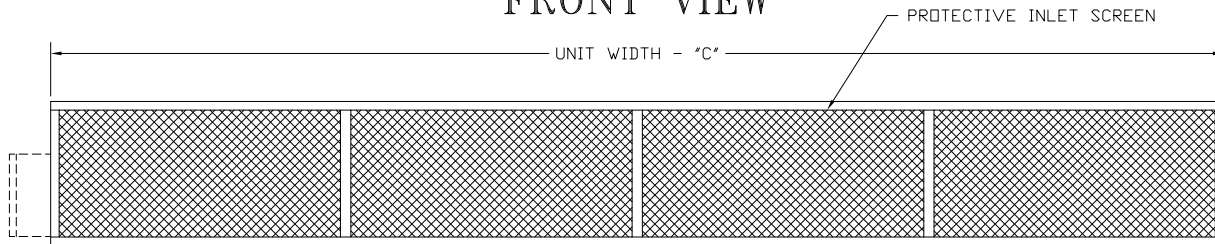
PROJECT		
LOCATION		
ARCHITECT		
ENGINEER		
DWG. NO.	CD20-C-AMBI	TITLE: <b>BERNER</b>
DATE	21JAN2021	MODEL CD20-C AIR CURTAIN
BY	S. Beil	CORRO DUTY TOP INTAKE AMBIENT SYSTEM
REPLACES	-	
BY	-	BERNER INTERNATIONAL CORP. NEW CASTLE, PA.

# TOP VIEW

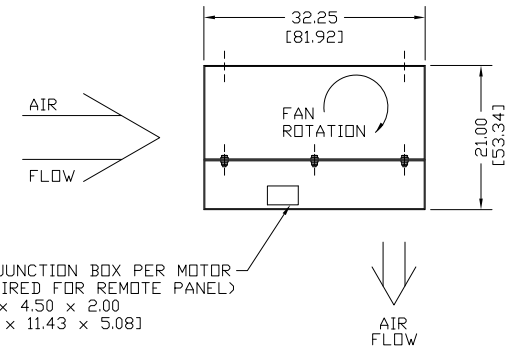


# CD20-C AMBIENT SYSTEM FRONT INTAKE

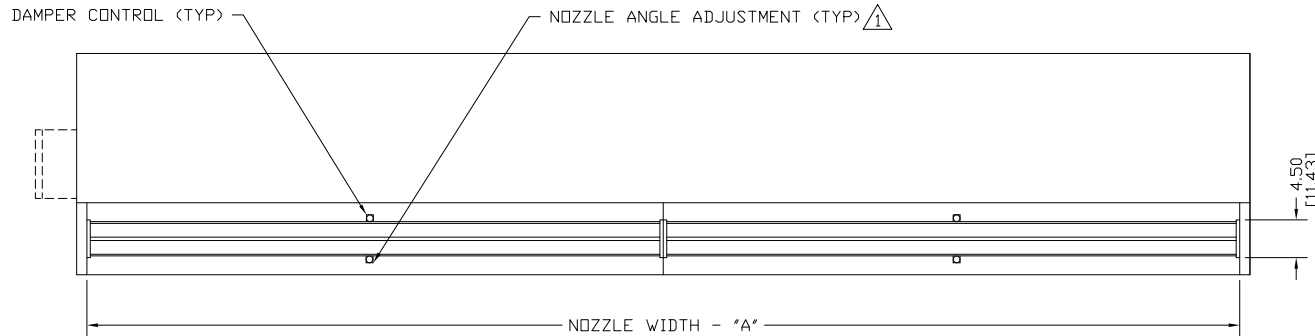
# FRONT VIEW



# END VIEW



# BOTTOM VIEW



## NOTES:

- ① AIR CURTAIN MUST BE INSTALLED SO AIR STREAM IS NOT OBSTRUCTED WHEN DEFLECTED 20° TO EITHER SIDE OF C.
- ② ELECTRICAL CONNECTIONS TO BE FLEXIBLE.
- ③ FIELD VERIFY DIMENSIONS.
- ④ ANCHORS TO SUPPORTING STRUCTURE BY OTHERS.
- ⑤ ADEQUACY OF SUPPORTING STRUCTURE IS TO BE VERIFIED BY A PROFESSIONAL STRUCTURAL ENGINEER.
- ⑥ LETTER "A" IN MODEL NUMBER DESIGNATES, AN AMBIENT UNIT. THE "F" DESIGNATES FRONT INTAKE.
- ⑦ OPTIONAL CONTROL PANEL AVAILABLE: LEFT HAND MOUNT, RIGHT HAND MOUNT, OR REMOTE. PLEASE SPECIFY.
- ⑧ DIMENSIONS IN INCHES [CENTIMETERS].

MODEL ⑥	NOZZLE WIDTH "A"	MOUNTING WIDTH "B"	UNIT WIDTH "C"
CD20-C-1060A-F	60.00 [152.40]	61.50 [156.21]	63.00 [160.02]
CD20-C-1072A-F	72.00 [182.88]	73.50 [186.69]	75.00 [190.50]
CD20-C-1084A-F	84.00 [213.36]	85.50 [217.17]	87.00 [220.98]
CD20-C-1096A-F	96.00 [243.84]	97.50 [247.65]	99.00 [251.46]
CD20-C-1108A-F	108.00 [274.32]	109.50 [278.13]	111.00 [281.94]
CD20-C-1120A-F	117.00 [297.18]	118.50 [300.99]	120.00 [304.80]
CD20-C-1132A-F	132.00 [335.28]	133.50 [339.09]	135.00 [342.90]
CD20-C-1144A-F	144.00 [365.76]	145.50 [369.57]	147.00 [373.38]
CD20-C-1156A-F	156.00 [396.24]	157.50 [400.05]	159.00 [403.86]
CD20-C-1168A-F	168.00 [426.72]	169.50 [430.53]	171.00 [434.34]
CD20-C-1180A-F	180.00 [457.20]	181.50 [461.01]	183.00 [464.82]
CD20-C-2192A-F	192.00 [487.68]	193.50 [491.49]	195.00 [495.30]

PROJECT		
LOCATION		
ARCHITECT		
ENGINEER		
DWG. NO.	CD20-C-AMB2	TITLE: <b>BERNER</b>
DATE	21JAN2021	MODEL CD20-C AIR CURTAIN
BY	S. Beil	CORRO DUTY FRONT INTAKE AMBIENT SYSTEM
REPLACES	-	
BY	-	BERNER INTERNATIONAL CORP. NEW CASTLE, PA.