



INDUSTRIAL WASHDOWN DUTY 20

Ambient (Unheated) Air Curtain

Data Sheet

Recommended for Mounting Heights to 20' (environmental separation) and 18' (insect control)

STANDARD CONSTRUCTION

- Single speed washdown duty totally enclosed motor(s)
- Stainless steel cabinet with stainless steel inlet screen & access panels
- Stainless steel blower wheels & housings
- Front air intake
- High efficiency Pro-V Nozzle



MODEL	Nozzle Width (in)	Max Vel. at Nozzle (fpm)	Avg. Outlet Vel. (fpm)	Air Volume (cfm)	Outlet Vel. Uniformity	Power Rating (kW)	Motor(s) @ hp	Net Wt. (lbs)
WD20-C-1060A	60.00	6,580	3,870	6,854	89%	4.70	1 @ 5	390
WD20-C-1072A	72.00	6,549	3,852	8,186	89%	4.90	1 @ 5	435
WD20-C-1084A	84.00	6,076	3,574	8,861	87%	4.90	1 @ 5	480
WD20-C-1096A	96.00	6,900	4,059	11,500	92%	6.80	1 @ 7½	600
WD20-C-1108A	108.00	6,747	3,969	12,650	90%	6.90	1 @ 7½	680
WD20-C-1120A	117.00	7,494	4,523	15,612	88%	8.70	1 @ 10	750
WD20-C-1132A	132.00	7,017	4,127	16,080	87%	8.90	1 @ 10	795
WD20-C-1144A	144.00	7,640	4,381	19,100	87%	11.70	1 @ 15	835
WD20-C-1156A	156.00	7,405	4,356	20,055	86%	11.90	1 @ 15	940
WD20-C-1168A	168.00	7,783	4,323	22,700	90%	12.80	1 @ 15	1,025
WD20-C-1180A	180.00	7,300	4,294	22,814	91%	12.90	1 @ 15	1,070
WD20-C-2192A	192.00	6,900	4,059	23,000	92%	13.60	2 @ 7½	1,190

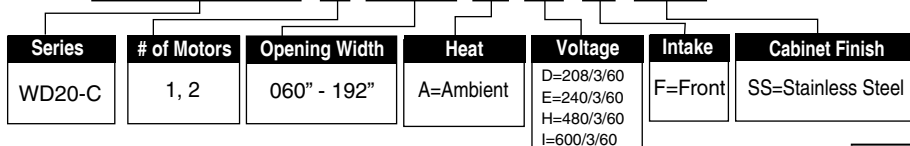
NOTES:

1. Operation at 50 Hz will generate approximately a 17% reduction in air performance.
2. Consult factory for vertically mounted units.

See sheet EP-440-WD for amp draws/total load requirements.

MODEL NUMBER CONFIGURATION

WD20-C-1 060 A D-F-SS



VELOCITY PROFILE: Model WD20-C-1060A					
Distance from Nozzle (in)	40	80	120	160	200
Core Velocity (fpm)	6480	4600	3507	3213	2947
Uniformity (%)	88	89	90	91	92

Berner reserves the right to alter specifications without prior notice.



INDUSTRIAL WASHDOWN-DUTY 20

Ambient (Unheated) Air Curtain
Electrical Performance Sheet

MODEL	Qty @ HP	# CKTS	208/3/60 (voltage code D) TOTAL MOTOR AMP DRAW		# CKTS	240/3/60 (voltage code E) TOTAL MOTOR AMP DRAW		# CKTS	480/3/60 (voltage code H) TOTAL MOTOR AMP DRAW	
			AMPS PER CIRCUIT	BREAKER RATING PER CIRCUIT		AMPS PER CIRCUIT	BREAKER RATING PER CIRCUIT		AMPS PER CIRCUIT	BREAKER RATING PER CIRCUIT
WD20-C-1060A WD20-C-1072A WD20-C-1084A	1 @ 5	1	17.0	35	1	15.8	35	1	7.9	20
WD20-C-1096A WD20-C-1108A	1 @ 7.5	1	23.0	50	1	22.0	45	1	11.0	25
WD20-C-1120A WD20-C-1132A	1 @ 10	1	31.5	60	1	30.6	60	1	15.3	30
WD20-C-1144A WD20-C-1156A WD20-C-1168A WD20-C-1180A	1 @ 15	1	46.0	100	1	44.0	100	1	22.0	45
WD20-C-2192A	2 @ 7.5	1	46.0	70	1	44.0	70	1	22.0	35

Berner reserves the right to alter specifications without prior notice.

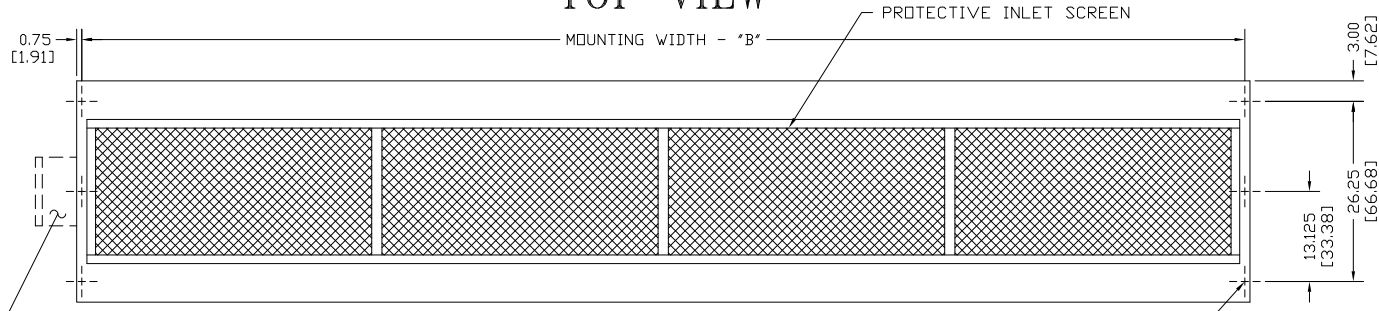


INDUSTRIAL WASHDOWN-DUTY 20
Ambient (Unheated) Air Curtain
Electrical Performance Sheet

		600/3/60 (voltage code I) TOTAL MOTOR AMP DRAW		
MODEL	Qty @ HP	# CKTS	AMPS PER CIRCUIT	BREAKER RATING PER CIRCUIT
WD20-C-1060A WD20-C-1072A WD20-C-1084A	1 @ 5	1	6.3	15
WD20-C-1096A WD20-C-1108A	1 @ 7.5	1	8.5	20
WD20-C-1120A WD20-C-1132A	1 @ 10	1	11.7	25
WD20-C-1144A WD20-C-1156A WD20-C-1168A WD20-C-1180A	1 @ 15	1	17.5	35
WD20-C-2192A	2 @ 7.5	1	17.0	30

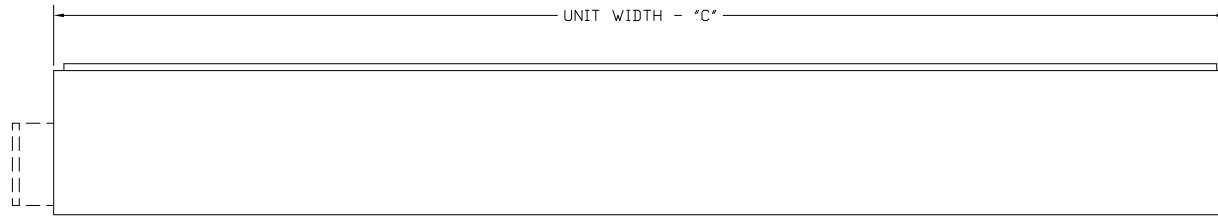
Berner reserves the right to alter specifications without prior notice.

TOP VIEW

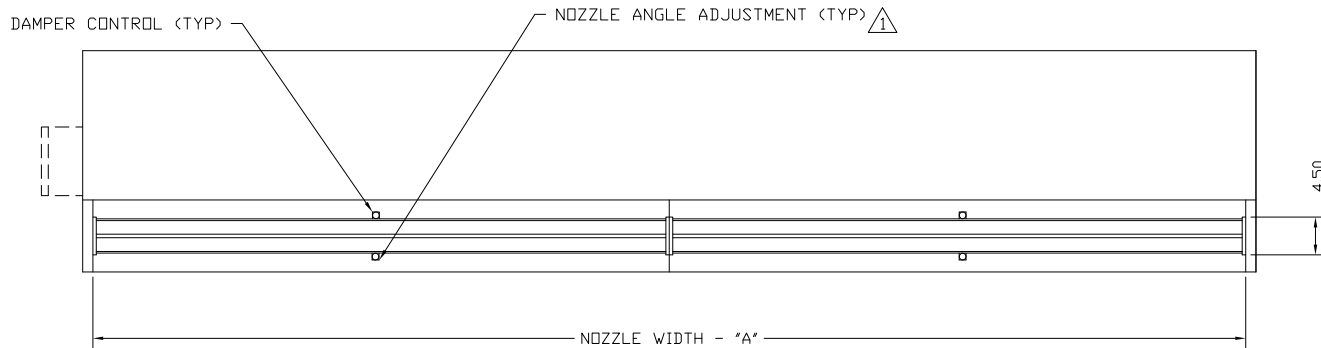


FRONT VIEW

Ø 0.50 [1.27] MOUNTING HOLES (TYP)



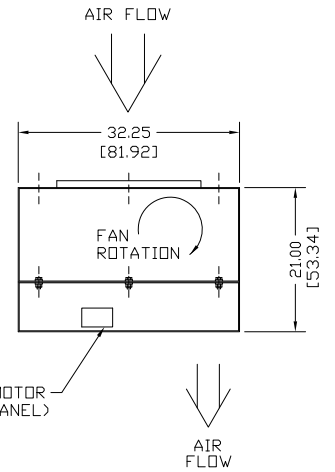
BOTTOM VIEW



MODEL [△]	NOZZLE WIDTH "A"	MOUNTING WIDTH "B"	UNIT WIDTH "C"
WD20-C-1060A-T	60.00 [152.40]	61.50 [156.21]	63.00 [160.02]
WD20-C-1072A-T	72.00 [182.88]	73.50 [186.69]	75.00 [190.50]
WD20-C-1084A-T	84.00 [213.36]	85.50 [217.17]	87.00 [220.98]
WD20-C-1096A-T	96.00 [243.84]	97.50 [247.65]	99.00 [251.46]
WD20-C-1108A-T	108.00 [274.32]	109.50 [278.13]	111.00 [281.94]
WD20-C-1120A-T	117.00 [297.18]	118.50 [300.99]	120.00 [304.80]
WD20-C-1132A-T	132.00 [335.28]	133.50 [339.09]	135.00 [342.90]
WD20-C-1144A-T	144.00 [365.76]	145.50 [369.57]	147.00 [373.38]
WD20-C-1156A-T	156.00 [396.24]	157.50 [400.05]	159.00 [403.86]
WD20-C-1168A-T	168.00 [426.72]	169.50 [430.53]	171.00 [434.34]
WD20-C-1180A-T	180.00 [457.20]	181.50 [461.01]	183.00 [464.82]
WD20-C-2192A-T	192.00 [487.68]	193.50 [491.49]	195.00 [495.30]

WD20-C AMBIENT SYSTEM TOP INTAKE

END VIEW



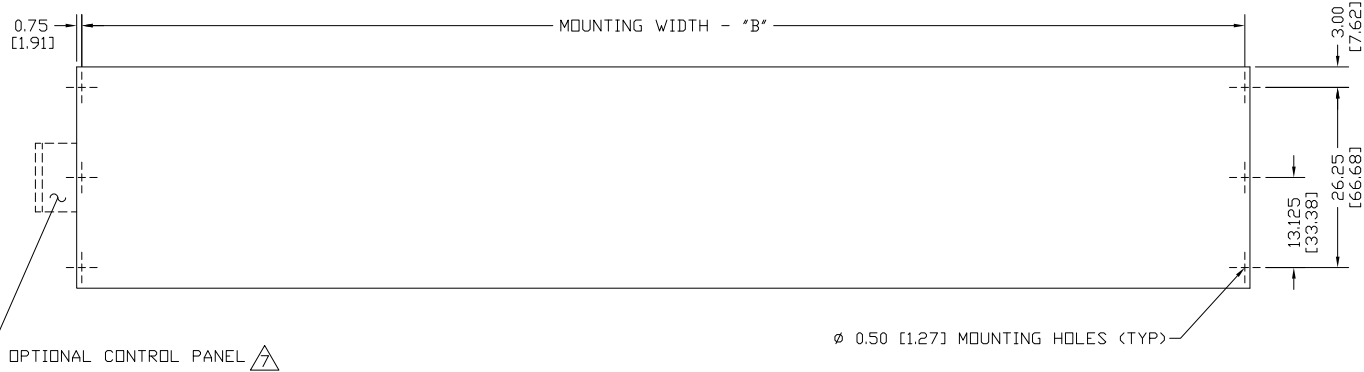
ONE JUNCTION BOX PER MOTOR
(REQUIRED FOR REMOTE PANEL)
2.75 x 4.50 x 2.00
[6.99 x 11.43 x 5.08]

NOTES:

1. AIR CURTAIN MUST BE INSTALLED SO AIR STREAM IS NOT OBSTRUCTED WHEN DEFLECTED 20° TO EITHER SIDE OF C.
2. ELECTRICAL CONNECTIONS TO BE FLEXIBLE.
3. FIELD VERIFY DIMENSIONS.
4. ANCHORS TO SUPPORTING STRUCTURE BY OTHERS.
5. ADEQUACY OF SUPPORTING STRUCTURE IS TO BE VERIFIED BY A PROFESSIONAL STRUCTURAL ENGINEER.
6. LETTER "A" IN MODEL NUMBER DESIGNATES, AN AMBIENT UNIT. THE "T" DESIGNATES TOP INTAKE.
7. OPTIONAL CONTROL PANEL AVAILABLE: LEFT HAND MOUNT, RIGHT HAND MOUNT, OR REMOTE. PLEASE SPECIFY.
8. DIMENSIONS IN INCHES [CENTIMETERS].

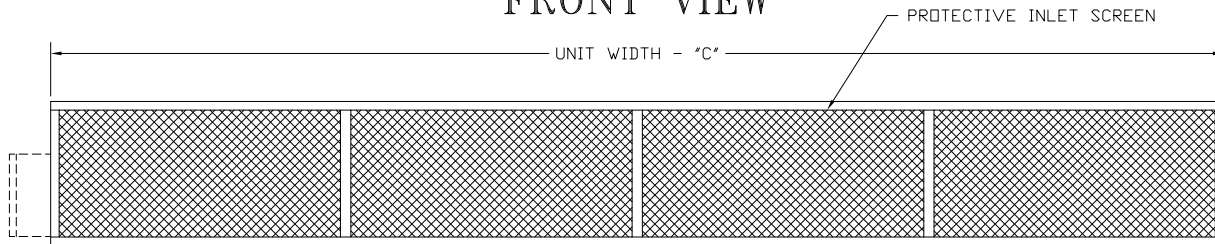
PROJECT		
LOCATION		
ARCHITECT		
ENGINEER		
DWG. NO.	WD20-C-AMBI	TITLE: BERNER
DATE	21JAN2021	MODEL WD20-C AIR CURTAIN
BY	S. Beil	WASHDOWN DUTY TOP INTAKE AMBIENT SYSTEM
REPLACES	-	
BY	-	BERNER INTERNATIONAL CORP. NEW CASTLE, PA.

TOP VIEW

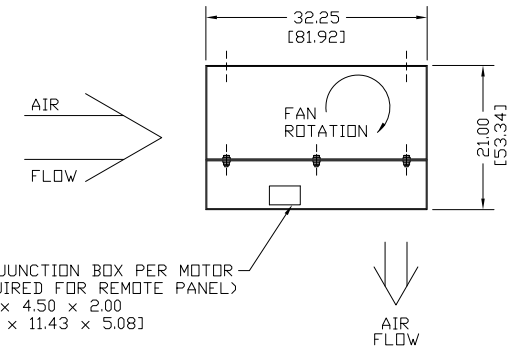


WD20-C AMBIENT SYSTEM FRONT INTAKE

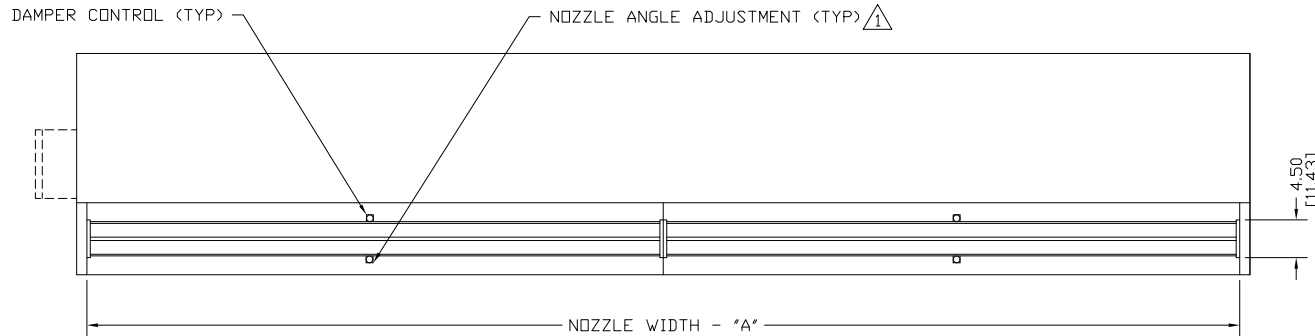
FRONT VIEW



END VIEW



BOTTOM VIEW



NOTES:

- \triangle AIR CURTAIN MUST BE INSTALLED SO AIR STREAM IS NOT OBSTRUCTED WHEN DEFLECTED 20° TO EITHER SIDE OF \square .
- \triangle ELECTRICAL CONNECTIONS TO BE FLEXIBLE.
- \triangle FIELD VERIFY DIMENSIONS.
- \triangle ANCHORS TO SUPPORTING STRUCTURE BY OTHERS.
- \triangle ADEQUACY OF SUPPORTING STRUCTURE IS TO BE VERIFIED BY A PROFESSIONAL STRUCTURAL ENGINEER.
- \triangle LETTER "A" IN MODEL NUMBER DESIGNATES, AN AMBIENT UNIT. THE "F" DESIGNATES FRONT INTAKE.
- \triangle OPTIONAL CONTROL PANEL AVAILABLE: LEFT HAND MOUNT, RIGHT HAND MOUNT, OR REMOTE. PLEASE SPECIFY.
- \triangle DIMENSIONS IN INCHES [CENTIMETERS].

MODEL \triangle	NOZZLE WIDTH "A"	MOUNTING WIDTH "B"	UNIT WIDTH "C"
WD20-C-1060A-F	60.00 [152.40]	61.50 [156.21]	63.00 [160.02]
WD20-C-1072A-F	72.00 [182.88]	73.50 [186.69]	75.00 [190.50]
WD20-C-1084A-F	84.00 [213.36]	85.50 [217.17]	87.00 [220.98]
WD20-C-1096A-F	96.00 [243.84]	97.50 [247.65]	99.00 [251.46]
WD20-C-1108A-F	108.00 [274.32]	109.50 [278.13]	111.00 [281.94]
WD20-C-1120A-F	117.00 [297.18]	118.50 [300.99]	120.00 [304.80]
WD20-C-1132A-F	132.00 [335.28]	133.50 [339.09]	135.00 [342.90]
WD20-C-1144A-F	144.00 [365.76]	145.50 [369.57]	147.00 [373.38]
WD20-C-1156A-F	156.00 [396.24]	157.50 [400.05]	159.00 [403.86]
WD20-C-1168A-F	168.00 [426.72]	169.50 [430.53]	171.00 [434.34]
WD20-C-1180A-F	180.00 [457.20]	181.50 [461.01]	183.00 [464.82]
WD20-C-2192A-F	192.00 [487.68]	193.50 [491.49]	195.00 [495.30]

PROJECT		
LOCATION		
ARCHITECT		
ENGINEER		
DWG. NO.	WD20-C-AMB2	TITLE: BERNER
DATE	21JAN2021	MODEL WD20-C AIR CURTAIN
BY	S. Beil	WASHDOWN DUTY FRONT INTAKE AMBIENT SYSTEM
REPLACES	-	
BY	-	BERNER INTERNATIONAL CORP. NEW CASTLE, PA.