



SANITATION CERTIFIED HIGH PERFORMANCE 7

Ambient (Unheated) Air Curtain

Data Sheet

Recommended for Mounting Heights to 10', Certified to NSF 37 to 7' Insect Control

STANDARD CONSTRUCTION

- EPH Listed per NSF 37
- 14" high x 15" deep
- 3/4 hp single speed motor(s)
- White or black aluminum exterior cover (Optional: Custom Color or Stainless)
- Wall & Top Mounting



Berner International certifies that the air curtains shown herein are licensed to bear the AMCA Seal. The ratings shown are based on tests and procedures performed in accordance with AMCA Publication 211 and comply with the requirements of the AMCA Certified Ratings Program. Rated data shown is for base (unheated) units. The AMCA Certified Ratings Seal applies to airflow rate, average outlet velocity, outlet velocity uniformity, velocity projection and power rating at free delivery only.

5 Year Limited Warranty



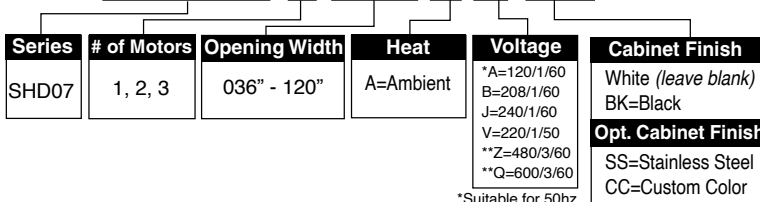
Air Curtain Fans for ANSI/NSF37 Customer Entry maximum mounting height is 7'

MODEL	Nozzle Width (in)	Max Vel. at Nozzle (fpm)	Avg. Outlet Vel. (fpm)	Air Volume (cfm)	Outlet Vel. Uniformity	Power Rating (kW)	Motor(s) @ hp	Net Wt. (lbs)
SHD07-1036A	36.00	5,917	2,110	1,846	73%	0.77	1 @ 3/4	50
SHD07-1042A	42.00	4,418	1,716	1,752	79%	0.75	1 @ 3/4	52
SHD07-1048A	48.00	3,815	1,613	1,882	38%	0.73	1 @ 3/4	53
SHD07-2060A	60.00	3,963	1,869	2,726	74%	1.18	2 @ 3/4	70
SHD07-2072A	72.00	5,917	2,110	3,692	73%	1.54	2 @ 3/4	100
SHD07-2084A	87.00	4,418	1,657	3,504	79%	1.50	2 @ 3/4	104
SHD07-2096A	99.00	3,815	1,564	3,764	38%	1.46	2 @ 3/4	106
SHD07-3108A	111.00	5,917	2,053	5,538	73%	2.31	3 @ 3/4	150
SHD07-3120A	116.25	4,418	1,927	5,444	73%	2.29	3 @ 3/4	152

NOTE: Operation at 50 Hz will generate approximately a 17% reduction in air performance. See sheet EP-310 for amp draws/total load requirements.

MODEL NUMBER CONFIGURATION

SHD07-1 036 A A-SS



*Suitable for 50hz
**Consult Factory
for Standard offering, leave options (Opt.) blank
make sure to specify Cabinet Finish if other than white

VELOCITY PROJECTION: Model SHD07-1036A			
Distance from Nozzle (in)	40	60	80
Core Velocity (fpm)	3820	2750	2190
Uniformity (%)	82	76	93

Sound level measured 10' (3m) from the unit in free field:
1, 2 & 3 motor(s): 66, 69, & 71 dBA
Sound data is not AMCA certified.

Berner reserves the right to alter specifications without prior notice.



SANITATION CERTIFIED HIGH PERFORMANCE 7

Ambient (Unheated) Air Curtain Electrical Performance Sheet

		120/1/60 (voltage code A) MOTOR AMP DRAW = 7.5 each		208/1/60 (voltage code B) MOTOR AMP DRAW = 3.8 each		240/1/60 (voltage code J) or 220/1/50 (voltage code V) MOTOR AMP DRAW = 3.8 each			
MODEL	# CKTS	AMPS PER CIRCUIT	BREAKER RATING PER CIRCUIT	# CKTS	AMPS PER CIRCUIT	BREAKER RATING PER CIRCUIT	# CKTS	AMPS PER CIRCUIT	BREAKER RATING PER CIRCUIT
SHD07-1036A SHD07-1042A SHD07-1048A	1	7.5	15	1	3.8	15	1	3.8	15
SHD07-2060A SHD07-2072A SHD07-2084A SHD07-2096A	1	15.0	20	1	7.6	15	1	7.6	15
SHD07-3108A SHD07-3120A	1	22.5	25	1	11.4	15	1	11.4	15

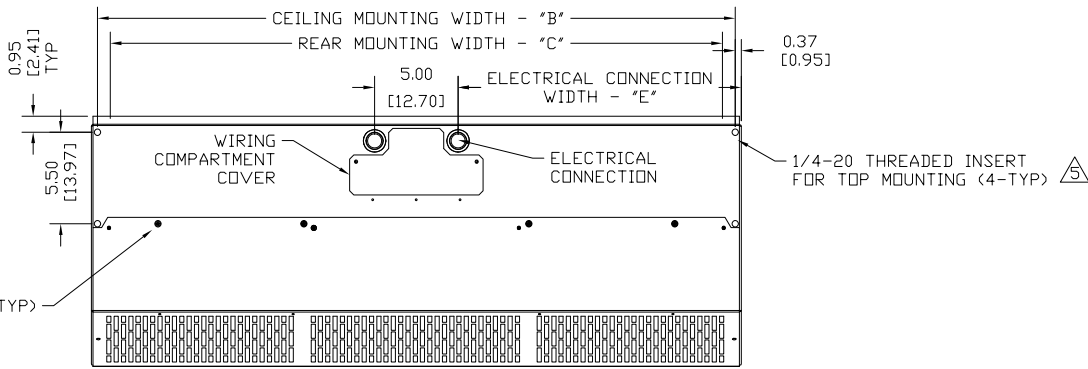
		480/3/60 (voltage code Z) MOTOR AMP DRAW = 1.8 each		600/3/60 (voltage code Q) MOTOR AMP DRAW = 1.5 each		
MODEL	# CKTS	AMPS PER CIRCUIT	BREAKER RATING PER CIRCUIT	# CKTS	AMPS PER CIRCUIT	BREAKER RATING PER CIRCUIT
SHD07-1036A SHD07-1042A SHD07-1048A	1	1.8	15	1	1.5	15
SHD07-2060A SHD07-2072A SHD07-2084A SHD07-2096A	1	3.6	15	1	3.0	15
SHD07-3108A SHD07-3120A	1	5.4	15	1	4.5	15

Berner reserves the right to alter specifications without prior notice.

www.berner.com Berner International 800.245-4455
111 Progress Ave. / New Castle / PA / 16101 / USA

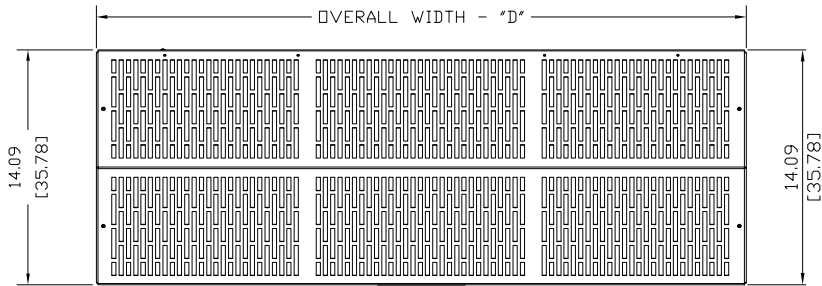
EP-310
October, 2017

TOP VIEW



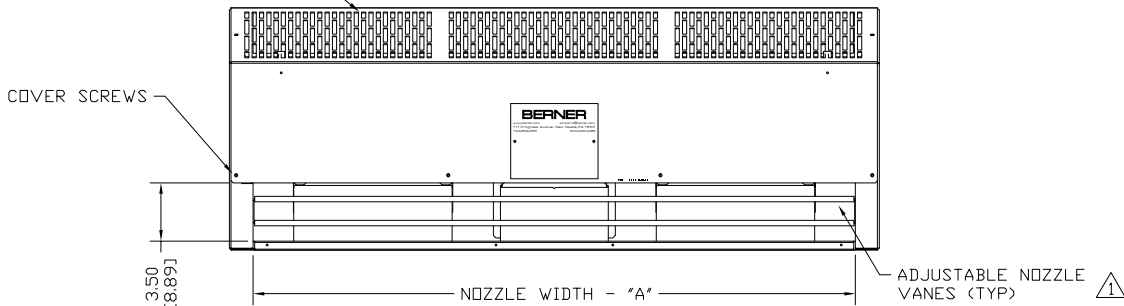
COVER SCREWS (TYP)

FRONT VIEW



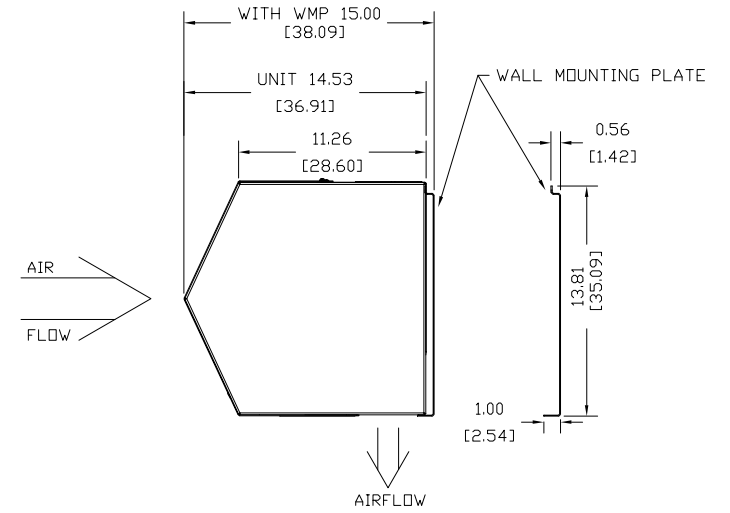
PERFORATED ALUMINUM INTAKE SCREEN

BOTTOM VIEW



SHD07 AMBIENT SYSTEM (with Wall Mounting Plate)

END VIEW



NOTES:

- ① AIR CURTAIN MUST BE INSTALLED SO AIR STREAM IS NOT OBSTRUCTED WHEN DEFLECTED 20° TO EITHER SIDE OF C.
- ② ELECTRICAL CONNECTIONS TO BE FLEXIBLE.
- ③ FIELD VERIFY DIMENSIONS.
- ④ ANCHORS TO SUPPORTING STRUCTURE BY OTHERS.
- ⑤ ADEQUACY OF SUPPORTING STRUCTURE IS TO BE VERIFIED BY A PROFESSIONAL STRUCTURAL ENGINEER.
- ⑥ LETTER "A" IN MODEL NUMBER DESIGNATES AMBIENT UNIT.
- ⑦ DIMENSIONS IN INCHES [CENTIMETERS].

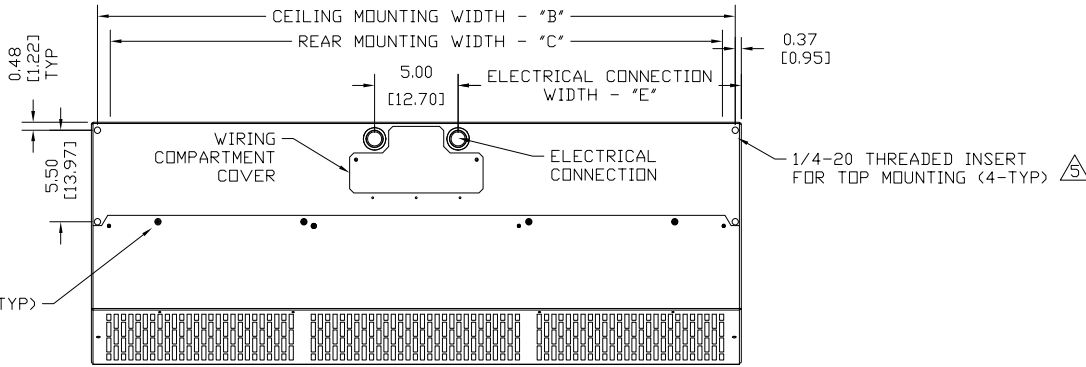
MODEL ①	NOZZLE WIDTH "A"	CEILING MOUNTING WIDTH "B"	REAR MOUNTING WIDTH "C"	UNIT WIDTH "D"	ELECTRIC WIDTH "E"
SHD07-1036A	36.00 [91.44]	38.25 [97.16]	37.00 [93.98]	39.00 [99.06]	17.00 [43.18]
SHD07-1042A	42.00 [106.68]	44.25 [112.40]	43.00 [109.22]	45.00 [114.30]	20.00 [50.80]
SHD07-1048A	48.00 [121.92]	50.25 [127.64]	49.00 [124.46]	51.00 [129.54]	23.00 [58.42]
SHD07-2060A	60.00 [152.40]	62.25 [158.12]	61.00 [154.94]	63.00 [160.02]	19.00 [48.26]
SHD07-2072A	72.00 [182.88]	74.25 [188.60]	73.00 [185.42]	75.00 [190.50]	17.00 [43.18]
SHD07-2084A	86.88 [220.66]	89.13 [226.38]	87.88 [223.22]	89.88 [228.28]	20.75 [52.71]
SHD07-2096A	98.88 [251.14]	101.13 [257.18]	99.88 [253.70]	101.88 [258.76]	23.75 [60.33]
SHD07-3108A	110.88 [281.62]	113.13 [287.38]	111.88 [284.18]	113.88 [289.24]	17.50 [44.45]
SHD07-3120A	116.25 [295.28]	118.50 [300.99]	117.25 [297.82]	119.25 [302.90]	18.38 [46.67]



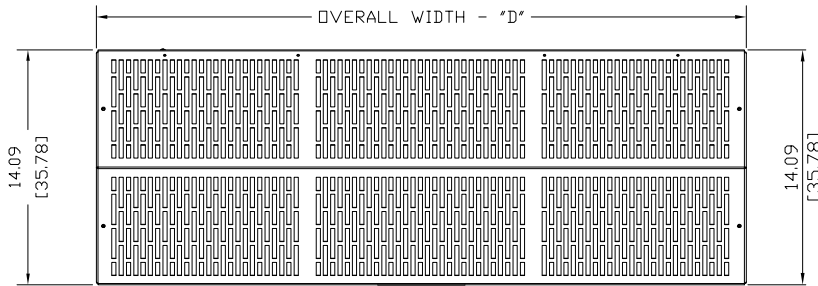
PROJECT		
LOCATION		
ARCHITECT		
ENGINEER		REV. B
DWG. NO.	SHD07-AMB-WMP	TITLE: BERNER MODEL SHD07 AIR CURTAIN AMBIENT SYSTEM
DATE	29JAN2020	
BY	S. Beil	
REPLACES	07MAR2018	
BY	S. Beil	BERNER INTERNATIONAL CORP. NEW CASTLE, PA.

SHD07 AMBIENT SYSTEM (without Wall Mounting Plate)

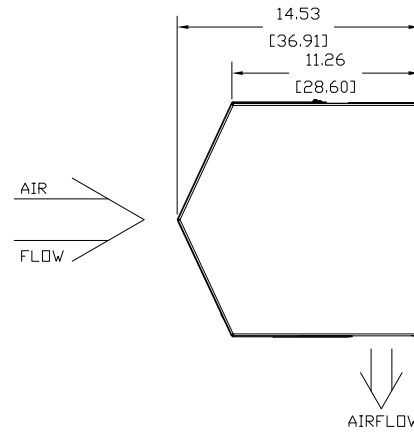
TOP VIEW



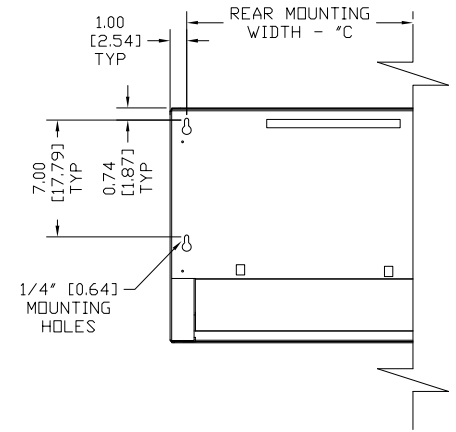
FRONT VIEW



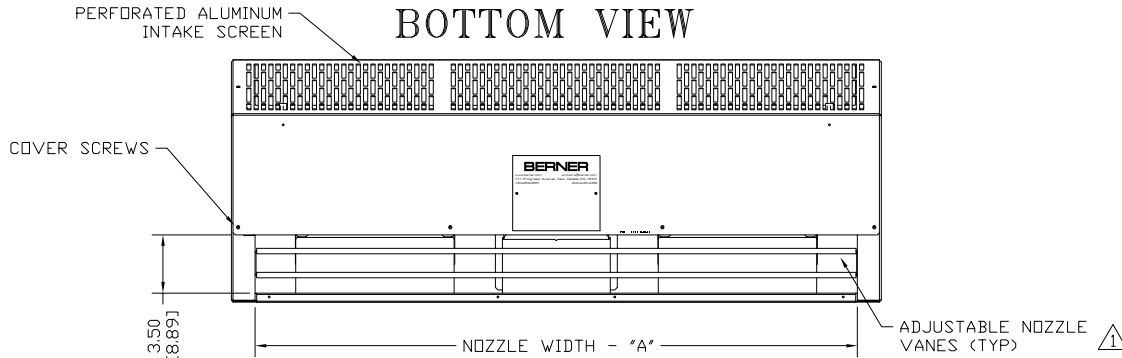
END VIEW



REAR VIEW



BOTTOM VIEW



NOTES:

- ① AIR CURTAIN MUST BE INSTALLED SO AIR STREAM IS NOT OBSTRUCTED WHEN DEFLECTED 20° TO EITHER SIDE OF \mathcal{C} .
- ② ELECTRICAL CONNECTIONS TO BE FLEXIBLE.
- ③ FIELD VERIFY DIMENSIONS.
- ④ ANCHORS TO SUPPORTING STRUCTURE BY OTHERS.
- ⑤ ADEQUACY OF SUPPORTING STRUCTURE IS TO BE VERIFIED BY A PROFESSIONAL STRUCTURAL ENGINEER.
- ⑥ LETTER "A" IN MODEL NUMBER DESIGNATES AMBIENT UNIT.
- ⑦ DIMENSIONS IN INCHES [CENTIMETERS].

MODEL ①	NOZZLE WIDTH "A"	CEILING MOUNTING WIDTH "B"	REAR MOUNTING WIDTH "C"	UNIT WIDTH "D"	ELECTRIC WIDTH "E"
SHD07-1036A	36.00 [91.44]	38.25 [97.16]	37.00 [93.98]	39.00 [99.06]	17.00 [43.18]
SHD07-1042A	42.00 [106.68]	44.25 [112.40]	43.00 [109.22]	45.00 [114.30]	20.00 [50.80]
SHD07-1048A	48.00 [121.92]	50.25 [127.64]	49.00 [124.46]	51.00 [129.54]	23.00 [58.42]
SHD07-2060A	60.00 [152.40]	62.25 [158.12]	61.00 [154.94]	63.00 [160.02]	19.00 [48.26]
SHD07-2072A	72.00 [182.88]	74.25 [188.60]	73.00 [185.42]	75.00 [190.50]	17.00 [43.18]
SHD07-2084A	86.88 [220.66]	89.13 [226.38]	87.88 [223.22]	89.88 [228.28]	20.75 [52.71]
SHD07-2096A	98.88 [251.14]	101.13 [257.18]	99.88 [253.70]	101.88 [258.76]	23.75 [60.33]
SHD07-3108A	110.88 [281.62]	113.13 [287.38]	111.88 [284.18]	113.88 [289.24]	17.50 [44.45]
SHD07-3120A	116.25 [295.28]	118.50 [300.99]	117.25 [297.82]	119.25 [302.90]	18.38 [46.67]



PROJECT		
LOCATION		
ARCHITECT		
ENGINEER		REV. B
DWG. NO.	SHD07-AMB-ND-WMP	TITLE: BERNER MODEL SHD07 AIR CURTAIN AMBIENT SYSTEM
DATE	29JAN2020	
BY	S. Beil	
REPLACES	07MAR2018	
BY	S. Beil	BERNER INTERNATIONAL CORP. NEW CASTLE, PA.