

Recommended for Mounting Heights to 8' (environmental separation)

STANDARD CONSTRUCTION

- 11" high x 23" deep
- 1/5 hp EC motor(s)
- Intelliswitch™ digital controller - ten speeds
- Berner AIR™ (smart controller & app) includes BACnet
- Cabinet: Brushed Stainless Steel, Grade 304 or better
- Bottom Panel: Clear satin anodized aluminum
(Optional: White Aluminum, Custom Color or Stainless)
- Wall or Top Mounting
- High efficiency, low noise, articulating Pro-V Nozzle
- Single stage electric heater (open element)
- Alternate kW: see sheet EP-222E
- Filter (washable)
- Optional: Rear cover for top mounting to conceal fasteners

Energy Codes ASHRAE 90.1-2019, IECC 2018, and ASHRAE 189.1 vestibule exception validated by AMCA certification. Refer to Velocity Projection Chart below for information.



Berner International certifies that the air curtains shown here-in are licensed to bear the AMCA Seal. The ratings shown are based on tests and procedures performed in accordance with AMCA Publication 211 and comply with the requirements of the AMCA Certified Ratings Program. Rated data shown is for base (electric heated) units. The AMCA Certified Ratings Seal applies to airflow rate, average outlet velocity, outlet velocity uniformity, velocity projection and power rating at free delivery only.

2 Year Limited Warranty



indoor use



MODEL	Nozzle Width (in)	Max Vel. at Nozzle (fpm)	Avg. Outlet Vel. (fpm)	Air Volume (cfm)	Outlet Vel. Uniformity	Power Rating (kW)	Motor(s) @ hp	Max Electric Capacity (kW)	Heater Output (MBH)	Air Temp. Rise (°F)	Net Wt. (lbs)
AE08-E-1036E	36.00	2,312	1,607	904	53%	0.25	1 @ 1/5	10.0	34.1	35°	57
AE08-E-1042E	42.00	2,004	1,681	1,103	56%	0.29	1 @ 1/5	10.0	34.1	29°	64
AE08-E-1048E	48.00	2,258	1,725	1,294	57%	0.37	1 @ 1/5	14.4	49.1	35°	71
AE08-E-1060E	59.00	2,189	1,790	1,678	61%	0.43	1 @ 1/5	14.4	49.1	27°	86
AE08-E-1072E	72.00	2,019	1,758	1,978	71%	0.50	1 @ 1/5	20.0	68.3	32°	100
AE08-E-2084E	84.00	2,004	1,681	2,206	56%	0.58	2 @ 1/5	20.0	68.3	29°	127
AE08-E-2096E	96.00	2,258	1,725	2,588	57%	0.74	2 @ 1/5	28.8	98.3	35°	142
AE08-E-2108E	108.00	2,258	1,761	2,972	57%	0.80	2 @ 1/5	28.8	98.3	30°	156
AE08-E-2120E	118.00	2,189	1,836	3,356	61%	0.86	2 @ 1/5	28.8	98.3	27°	167

See sheet EP-222E for amp draws/total load requirements and alternate kW. 600/3/60 power supply includes extended cabinet, See drawing AE08-E-ELE-TR. NOTE: Single Point Power Connection – consult factory.

MODEL NUMBER CONFIGURATION

AE08-E-1 036 E B-100-EC-WCA -TB-SA

Series	Version	# of Motors	Opening Width	Heat	Voltage	kW	Motor Type	Control	Opt. Display	Material/Finish	
AE08	E	1, 2	036" - 120"	E=Electric Heated	B=208/1/60* J=240/1/60* V=220/1/50* W=277/1/60* K=120/480 L=120/600 S=208/480 M=208/600 U=240/480 N=240/600 X=208/3/60 Y=240/3/60 WZ = 480/3/60** L-XI = 600/3/60 † O = 380/3/50**	10.0 - 28.8 (100 - 288)	EC Motor	WCA= Berner AIR™ smart control	Remote Touchscreen	Cabinet S=Stainless (std) A= Anod Alum C=Custom Color	Bottom Panel A=Anod Alum (std) S=Stainless C=Custom Color

*B - Max 16.2 kW
*J and V - Max 16.2 kW or 20 kW based on # motors
*W - Max 21.6 kW
**Power Supply requires 4-wire system (w/ neutral)
† Add 5" to cabinet width for transformer
See sheet EP-222 for available lengths and voltages

VELOCITY PROJECTION: Model AE08-E-1036E			
Distance from Nozzle (in)	40	80	120
Core Velocity (fpm)	1413	1011	804
Uniformity (%)	72%	91%	92%

Sound level measured 10' (3m) from the unit in free field:

1 motor: Min./Max. Speed: 50/53 dBA
2 motors: Min./Max. Speed: 53/56 dBA

Sound data is not AMCA certified.

ASHRAE 90.1-2019 vestibule exception requires, "a jet velocity of not less than 6.6 feet per second (2.0 m/s; 400 fpm) at 6.0 in (15 cm) above the floor."

Berner reserves the right to alter specifications without prior notice.



ARCHITECTURAL ELITE 8

Electric Air Curtain

Electrical Performance Sheet

MODEL	KW (code)	Temp Rise °F	208/1/60 (voltage code B) MOTOR AMP DRAW = 2.5 each			240/1/60 (voltage code J) or 220/1/50 (voltage code V) MOTOR AMP DRAW = 2.5 each			277/1/60 (voltage code W) MOTOR AMP DRAW = 2.2 each		
			# CKTS	AMPS PER CIRCUIT (including motor)	BREAKER RATING PER CIRCUIT	# CKTS	AMPS PER CIRCUIT (including motor)	BREAKER RATING PER CIRCUIT	# CKTS	AMPS PER CIRCUIT (including motor)	BREAKER RATING PER CIRCUIT
AE08-E-1036E AE08-E-1042E	10 (100)	30	1	50.6	60	1	44.2	60	1	38.3	50
	7.5 (075)	23	1	38.6	50	1	33.8	45	1	29.3	40
	5.6 (056)	17	1	29.4	40	1	25.8	35	-	N/A	N/A
	4 (040)	12	1	21.7	30	-	N/A	N/A	-	N/A	N/A
AE08-E-1048E AE08-E-1060E	14.4 (144)	33	2	37.1/34.6	50/45	2	32.5/30.0	45/40	2	28.2/26.0	40/35
	10.8 (108)	25	2	28.5/26.0	40/35	1	47.5	60	1	41.2	60
	8.1 (081)	18	1	41.7	60	1	36.3	50	-	N/A	N/A
	5.6 (056)	13	1	29.4	40	-	N/A	N/A	-	N/A	N/A
AE08-E-1072E	20 (200)	30	-	N/A	N/A	2	44.2/41.7	60/60	2	38.3/36.1	50/50
	15 (150)	23	2	38.6/36.1	50/50	2	33.8/31.3	45/40	2	29.3/27.1	40/35
	11.2 (112)	17	2	29.4/26.9	40/35	1	49.2	60	-	N/A	N/A
	8 (080)	12	1	41.0	60	-	N/A	N/A	-	N/A	N/A
AE08-E-2084E	20 (200)	26	-	N/A	N/A	-	N/A	N/A	2	40.5/36.1	60/50
	15 (150)	19	2	41.1/36.1	60/50	2	36.3/31.3	45/40	2	31.5/27.1	40/35
	11.2 (112)	15	2	30.5/26.9	40/35	1	51.7	60	-	N/A	N/A
	8 (080)	10	1	42.1	60	-	N/A	N/A	-	N/A	N/A
AE08-E-2096E AE08-E-2108E AE08-E-2120E	28.8 (288)	33	-	N/A	N/A	-	N/A	N/A	-	N/A	N/A
	21.6 (216)	25	-	N/A	N/A	-	N/A	N/A	2	43.4/39.0	60/50
	16.2 (162)	19	2	43.9/38.9	60/50	2	38.8/33.8	50/45	-	N/A	N/A
	11.2 (112)	13	2	31.9/26.9	40/35	-	N/A	N/A	-	N/A	N/A



ARCHITECTURAL ELITE 8

Electric Air Curtain

Electrical Performance Sheet

MODEL	kW (code)	Temp Rise °F	208/3/60 (voltage code X) MOTOR AMP DRAW = 2.5 each			240/3/60 (voltage code Y) MOTOR AMP DRAW = 2.5 each			480/3/60 (voltage code WZ) - 4 Wire System MOTOR AMP DRAW = 2.2 each @ 277V			600/3/60 (voltage code L-XI) XFMR 600/120 0.5kVA per MTR @ 0.8 each MOTOR AMP DRAW = 2.9 each @ 120V		
			# CKTS	AMPS PER CIRCUIT (including motor)	BREAKER RATING PER CIRCUIT	# CKTS	AMPS PER CIRCUIT (including motor)	BREAKER RATING PER CIRCUIT	# CKTS	AMPS PER CIRCUIT (including motor)	BREAKER RATING PER CIRCUIT	# CKTS	AMPS PER CIRCUIT (including motor)	BREAKER RATING PER CIRCUIT
AE08-E-1036E AE08-E-1042E	10 (100)	30	1	30.3	40	1	26.6	35	1	14.2	20	1	10.4	15
	7.5 (075)	23	1	23.3	30	1	20.5	30	1	11.2	15	-	N/A	N/A
	5.6 (056)	17	1	18.0	25	1	16.0	20	-	N/A	N/A	-	N/A	N/A
	4 (040)	12	1	13.6	20	-	N/A	N/A	-	N/A	N/A	-	N/A	N/A
AE08-E-1048E AE08-E-1060E	14.4 (144)	33	1	42.5	60	1	37.1	50	1	19.5	25	1	14.7	20
	10.8 (108)	25	1	32.5	45	1	28.5	40	1	15.2	20	-	N/A	N/A
	8.1 (081)	18	1	25.0	35	1	22.0	30	-	N/A	N/A	-	N/A	N/A
	5.6 (056)	13	1	18.0	25	-	N/A	N/A	-	N/A	N/A	-	N/A	N/A
AE08-E-1072E	20 (200)	30	2	30.3/27.8	40/35	2	26.6/24.1	35/35	1	26.3	35	1	20.0	30
	15 (150)	23	1	44.1	60	1	38.6	50	1	20.2	30	-	N/A	N/A
	11.2 (112)	17	1	33.6	45	1	29.4	40	-	N/A	N/A	-	N/A	N/A
	8 (080)	12	1	24.7	35	-	N/A	N/A	-	N/A	N/A	-	N/A	N/A
AE08-E-2084E	20 (200)	26	2	32.8/27.8	45/35	2	29.1/24.1	40/35	1	28.5	40	1	20.8	30
	15 (150)	19	1	46.6	60	1	41.1	60	1	22.4	30	-	N/A	N/A
	11.2 (112)	15	1	36.1	45	1	31.9	40	-	N/A	N/A	-	N/A	N/A
	8 (080)	10	1	27.2	35	-	N/A	N/A	-	N/A	N/A	-	N/A	N/A
AE08-E-2096E AE08-E-2108E AE08-E-2120E	28.8 (288)	33	2	45.0/40.0	60/50	2	39.6/34.6	50/45	1	39.0	50	1	29.3	40
	21.6 (216)	25	2	35.0/30.0	45/40	2	31.0/26.0	40/35	1	30.4	40	-	N/A	N/A
	16.2 (162)	19	1	50.0	60	1	44.0	60	-	N/A	N/A	-	N/A	N/A
	11.2 (112)	13	1	36.1	45	-	N/A	N/A	-	N/A	N/A	-	N/A	N/A



ARCHITECTURAL ELITE 8

Electric Air Curtain

Electrical Performance Sheet

MODEL	kW (code)	Temp Rise °F	120V/1/60 - 480V/3/60 (voltage code K) 120V MOTOR AMP DRAW = 4.4 each				208V/1/60 - 480V/3/60 (voltage code S) 208V MOTOR AMP DRAW = 2.5 each				240V/1/60 - 480V/3/60 (voltage code U) 240V MOTOR AMP DRAW = 2.5 each				380V/3/50 (voltage code O) 4 Wire System MOTOR AMP DRAW = 2.5 each					
			# CKTS	AMPS PER CIRCUIT		BREAKER RATING PER CIRCUIT		# CKTS	AMPS PER CIRCUIT		BREAKER RATING PER CIRCUIT		# CKTS	AMPS PER CIRCUIT		BREAKER RATING PER CIRCUIT				
				120V/1	480V/3	120V/1	480V/3		208V/1	480V/3	208V/1	480V/3		240V/1	480V/3	240V/1	480V/3	# CKTS	AMPS PER CIRCUIT (including motor)	BREAKER RATING PER CIRCUIT
AE08-E-1036E AE08-E-1042E	10 (100)	30	2	4.4	12.0	15	15	2	2.5	12.0	15	15	2	2.5	12.0	15	15	1	17.7	25
	7.5 (075)	23	2	4.4	9.0	15	15	2	2.5	9.0	15	15	2	2.5	9.0	15	15	1	13.9	20
	5.6 (056)	17	-	N/A	N/A	N/A	N/A	-	N/A	N/A	N/A	N/A	-	N/A	N/A	N/A	N/A	1	11.0	15
	4 (040)	12	-	N/A	N/A	N/A	N/A	-	N/A	N/A	N/A	N/A	-	N/A	N/A	N/A	N/A	-	N/A	N/A
AE08-E-1048E AE08-E-1060E	14.4 (144)	33	2	4.4	17.3	15	25	2	2.5	17.3	15	25	2	2.5	17.3	15	25	1	24.4	35
	10.8 (108)	25	2	4.4	13.0	15	20	2	2.5	13.0	15	20	2	2.5	13.0	15	20	1	18.9	25
	8.1 (081)	19	-	N/A	N/A	N/A	N/A	-	N/A	N/A	N/A	N/A	-	N/A	N/A	N/A	N/A	1	14.8	20
	5.6 (056)	13	-	N/A	N/A	N/A	N/A	-	N/A	N/A	N/A	N/A	-	N/A	N/A	N/A	N/A	-	N/A	N/A
AE08-E-1072E	20 (200)	30	2	4.4	24.1	15	35	2	2.5	24.1	15	35	2	2.5	24.1	15	35	1	32.9	45
	15 (150)	23	2	4.4	18.0	15	25	2	2.5	18.0	15	25	2	2.5	18.0	15	25	1	25.3	35
	11.2 (112)	17	-	N/A	N/A	N/A	N/A	-	N/A	N/A	N/A	N/A	-	N/A	N/A	N/A	N/A	1	19.5	25
	8 (080)	12	-	N/A	N/A	N/A	N/A	-	N/A	N/A	N/A	N/A	-	N/A	N/A	N/A	N/A	-	N/A	N/A
AE08-E-2084E	20 (200)	26	2	8.8	24.1	15	35	2	5.0	24.1	15	35	2	5.0	24.1	15	35	1	35.4	45
	15 (150)	20	2	8.8	18.0	15	25	2	5.0	18.0	15	25	2	5.0	18.0	15	25	1	27.8	35
	11.2 (112)	15	-	N/A	N/A	N/A	N/A	-	N/A	N/A	N/A	N/A	-	N/A	N/A	N/A	N/A	1	22.0	30
	8 (080)	10	-	N/A	N/A	N/A	N/A	-	N/A	N/A	N/A	N/A	-	N/A	N/A	N/A	N/A	-	N/A	N/A
AE08-E-2096E AE08-E-2108E AE08-E-2120E	28.8 (288)	33	2	8.8	34.6	15	45	2	5.0	34.6	15	45	2	5.0	34.6	15	45	1	48.8	60
	21.6 (216)	25	2	8.8	26.0	15	35	2	5.0	26.0	15	35	2	5.0	26.0	15	35	1	37.8	50
	16.2 (162)	19	-	N/A	N/A	N/A	N/A	-	N/A	N/A	N/A	N/A	-	N/A	N/A	N/A	N/A	1	29.6	40
	11.2 (112)	13	-	N/A	N/A	N/A	N/A	-	N/A	N/A	N/A	N/A	-	N/A	N/A	N/A	N/A	-	N/A	N/A



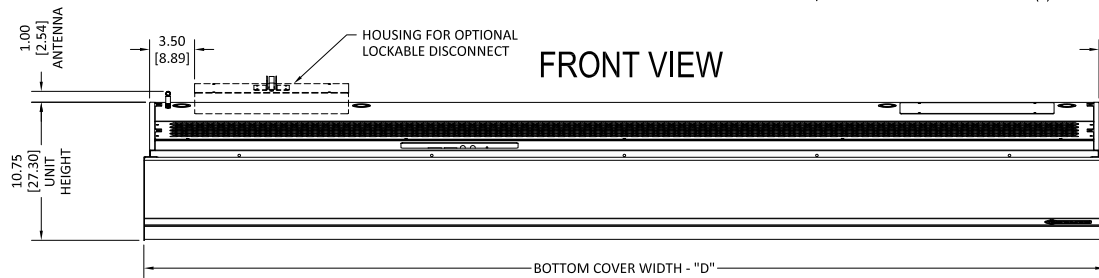
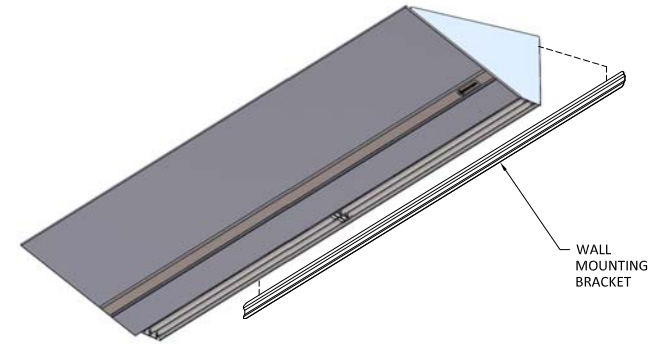
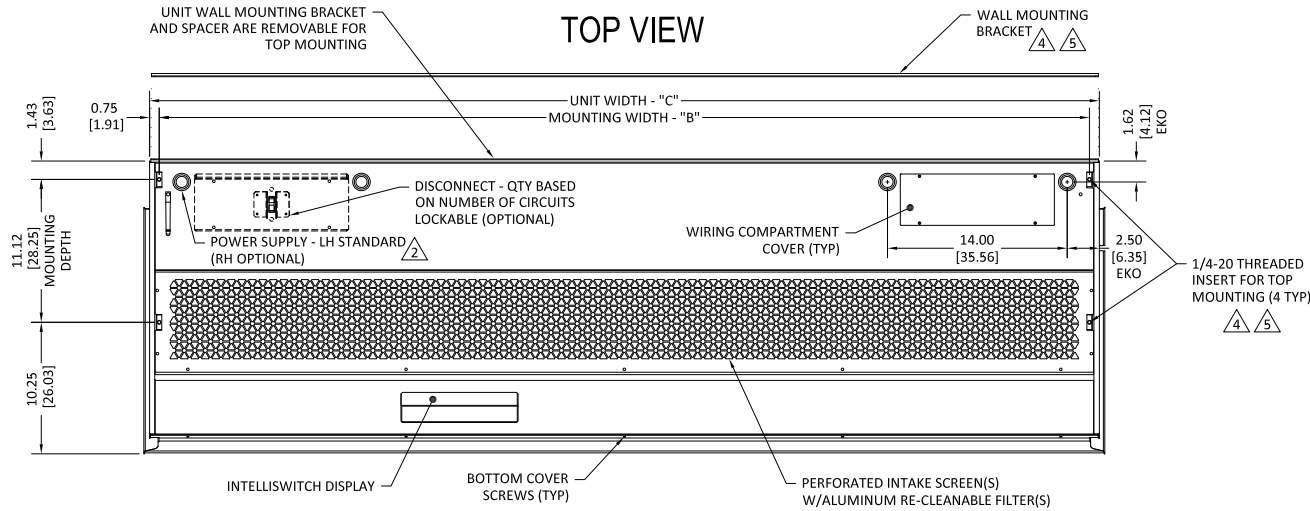
ARCHITECTURAL ELITE 8

Electric Air Curtain

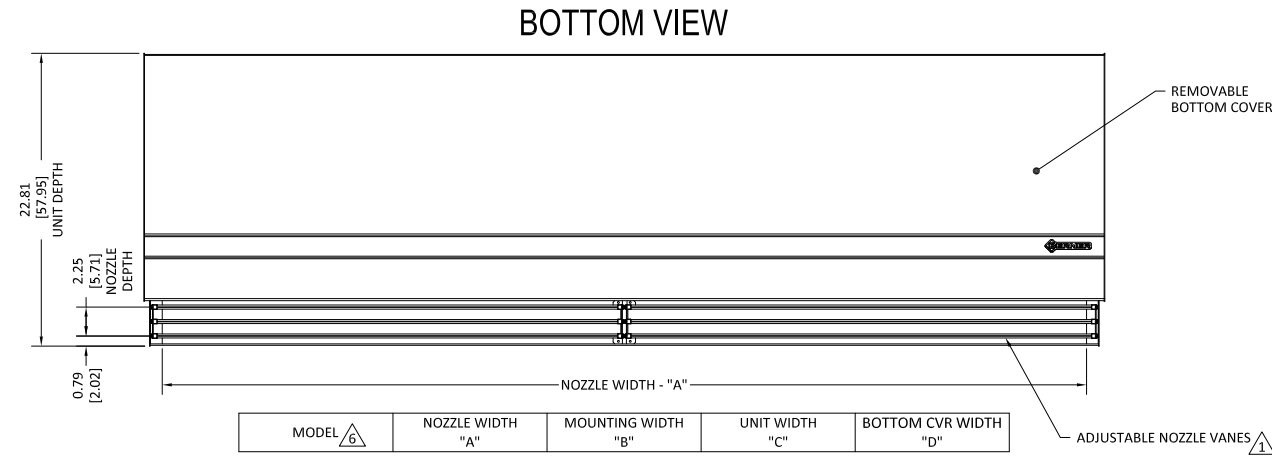
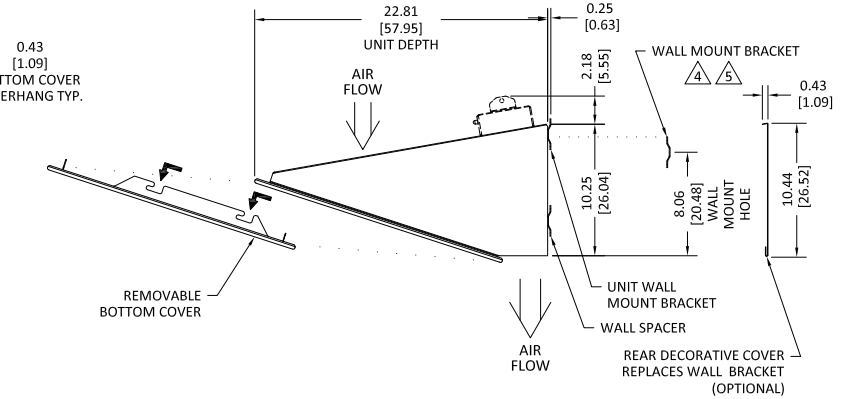
Electrical Performance Sheet

MODEL	kW (code)	Temp Rise °F	120V/1/60 - 600V/3/60 (voltage code L) 120V MOTOR AMP DRAW = 4.4 each				208V/1/60 - 600V/3/60 (voltage code M) 208V MOTOR AMP DRAW = 2.5 each				240V/1/60 - 600V/3/60 (voltage code N) 240V MOTOR AMP DRAW = 2.5 each						
			# CKTS	AMPS PER CIRCUIT		BREAKER RATING PER CIRCUIT		# CKTS	AMPS PER CIRCUIT		BREAKER RATING PER CIRCUIT		# CKTS	AMPS PER CIRCUIT		BREAKER RATING PER CIRCUIT	
				120V/1	600V/3	120V/1	600V/3		208V/1	600V/3	208V/1	600V/3		240V/1	600V/3	240V/1	600V/3
AE08-E-1036E AE08-E-1042E	10 (100)	30	2	4.4	9.6	15	15	2	2.5	9.6	15	15	2	2.5	9.6	15	15
	7.5 (075)	23	-	N/A	N/A	N/A	N/A	-	N/A	N/A	N/A	N/A	-	N/A	N/A	N/A	N/A
	5.6 (056)	17	-	N/A	N/A	N/A	N/A	-	N/A	N/A	N/A	N/A	-	N/A	N/A	N/A	N/A
	4 (040)	12	-	N/A	N/A	N/A	N/A	-	N/A	N/A	N/A	N/A	-	N/A	N/A	N/A	N/A
AE08-E-1048E AE08-E-1060E	14.4 (144)	33	2	4.4	13.9	15	20	2	2.5	13.9	15	20	2	2.5	13.9	15	20
	10.8 (108)	25	-	N/A	N/A	N/A	N/A	-	N/A	N/A	N/A	N/A	-	N/A	N/A	N/A	N/A
	8.1 (081)	19	-	N/A	N/A	N/A	N/A	-	N/A	N/A	N/A	N/A	-	N/A	N/A	N/A	N/A
	5.6 (056)	13	-	N/A	N/A	N/A	N/A	-	N/A	N/A	N/A	N/A	-	N/A	N/A	N/A	N/A
AE08-E-1072E	20 (200)	30	2	4.4	19.2	15	25	2	2.5	19.2	15	25	2	2.5	19.2	15	25
	15 (150)	23	-	N/A	N/A	N/A	N/A	-	N/A	N/A	N/A	N/A	-	N/A	N/A	N/A	N/A
	11.2 (112)	17	-	N/A	N/A	N/A	N/A	-	N/A	N/A	N/A	N/A	-	N/A	N/A	N/A	N/A
	8 (080)	12	-	N/A	N/A	N/A	N/A	-	N/A	N/A	N/A	N/A	-	N/A	N/A	N/A	N/A
AE08-E-2084E	20 (200)	26	2	8.8	19.2	15	25	2	5.0	19.2	15	25	2	5.0	19.2	15	25
	15 (150)	20	-	N/A	N/A	N/A	N/A	-	N/A	N/A	N/A	N/A	-	N/A	N/A	N/A	N/A
	11.2 (112)	15	-	N/A	N/A	N/A	N/A	-	N/A	N/A	N/A	N/A	-	N/A	N/A	N/A	N/A
	8 (080)	10	-	N/A	N/A	N/A	N/A	-	N/A	N/A	N/A	N/A	-	N/A	N/A	N/A	N/A
AE08-E-2096E AE08-E-2108E AE08-E-2120E	28.8 (288)	33	2	8.8	27.7	15	35	2	5.0	27.7	15	35	2	5.0	27.7	15	35
	21.6 (216)	25	-	N/A	N/A	N/A	N/A	-	N/A	N/A	N/A	N/A	-	N/A	N/A	N/A	N/A
	16.2 (162)	19	-	N/A	N/A	N/A	N/A	-	N/A	N/A	N/A	N/A	-	N/A	N/A	N/A	N/A
	11.2 (112)	13	-	N/A	N/A	N/A	N/A	-	N/A	N/A	N/A	N/A	-	N/A	N/A	N/A	N/A

AE08-E ELECTRIC HEATED SYSTEM: 208 - 480V



END VIEW



MODEL	NOZZLE WIDTH "A"	MOUNTING WIDTH "B"	UNIT WIDTH "C"	BOTTOM CVR WIDTH "D"
AE08-E-1036E	36.00 [91.44]	36.50 [92.71]	38.00 [96.52]	38.88 [98.74]
AE08-E-1042E	42.00 [106.68]	42.50 [107.95]	44.00 [111.76]	44.88 [113.98]
AE08-E-1048E	48.00 [121.92]	48.50 [123.19]	50.00 [127.00]	50.88 [129.22]
AE08-E-1060E	59.00 [149.86]	59.50 [151.13]	61.00 [154.94]	61.88 [157.16]
AE08-E-1072E	72.00 [182.88]	72.50 [184.15]	74.00 [187.96]	74.88 [190.18]
AE08-E-2084E	84.00 [213.36]	84.50 [214.63]	86.00 [218.44]	86.88 [220.66]
AE08-E-2096E	96.00 [243.84]	96.50 [245.11]	98.00 [248.92]	98.88 [251.16]
AE08-E-2108E	108.00 [274.32]	108.50 [275.59]	110.00 [279.40]	110.88 [281.62]
AE08-E-2120E	118.00 [299.72]	118.50 [300.99]	120.00 [304.80]	120.88 [307.04]

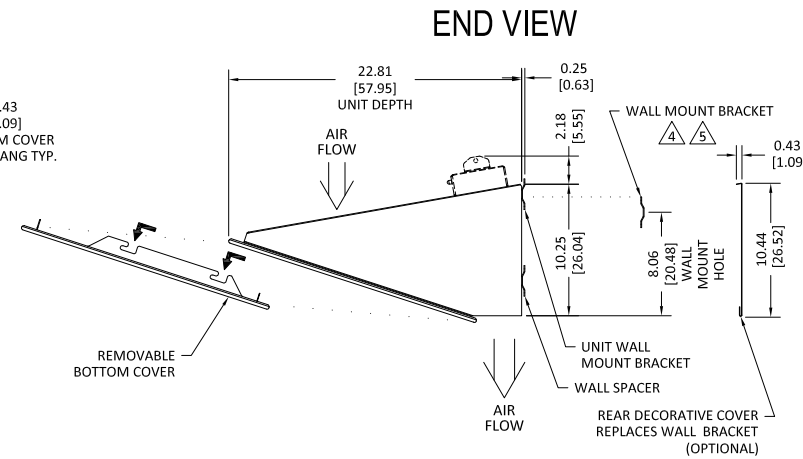
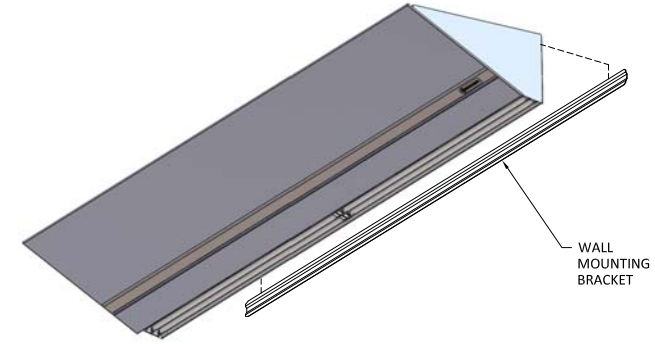
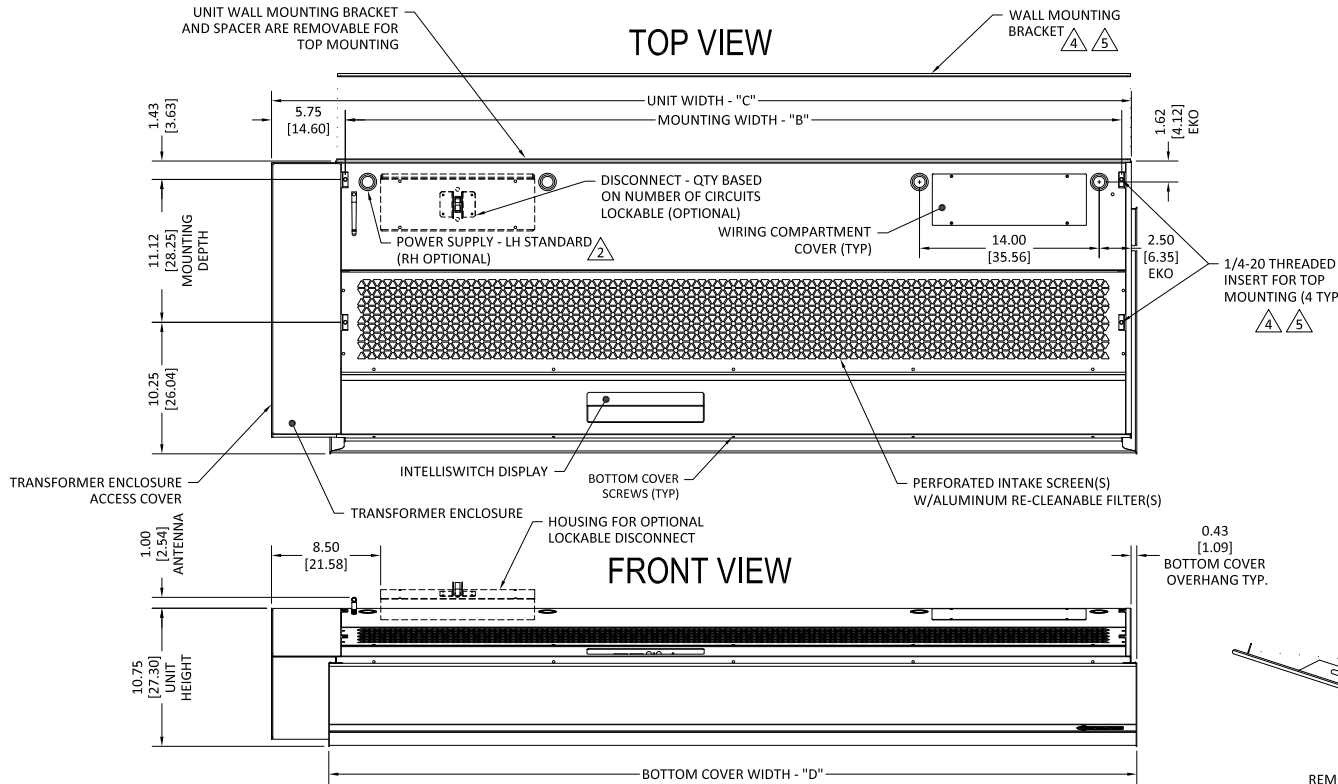
NOTES:

- 1 AIR CURTAIN MUST BE INSTALLED SO AIR STREAM IS NOT OBSTRUCTED WHEN DEFLECTED 20° TO EITHER SIDE OF C.
- 2 ELECTRICAL CONNECTIONS TO BE FLEXIBLE.
- 3 FIELD VERIFY DIMENSIONS.
- 4 ANCHORS TO SUPPORTING STRUCTURE BY OTHERS.
- 5 ADEQUACY OF SUPPORTING STRUCTURE IS TO BE VERIFIED BY A PROFESSIONAL STRUCTURAL ENGINEER.
- 6 THE LAST CHARACTER IN THE MODEL NUMBER - "E" DESIGNATES ELECTRIC HEATED UNIT.
- 7 DIMENSIONS IN INCHES [CENTIMETERS].

SHEET 1 OF 1

PROJECT	REV		C
LOCATION			
ARCHITECT			
ENGINEER			
DWG. NO.	AE08-E-ELE-208	TITLE:	BERNER
DATE	28JUL2023	MODEL AE08-E AIR CURTAIN 208 - 480V ELECTRIC HEATED SYSTEM	
BY	D. Johnson		
REPLACES	01MAR2023		
BY	D. Johnson	BERNER INTERNATIONAL CORP. NEW CASTLE, PA.	

AE08-E ELECTRIC HEATED SYSTEM: 600V



NOTES:

- 1 AIR CURTAIN MUST BE INSTALLED SO AIR STREAM IS NOT OBSTRUCTED WHEN DEFLECTED 20° TO EITHER SIDE OF Q.
- 2 ELECTRICAL CONNECTIONS TO BE FLEXIBLE.
- 3 FIELD VERIFY DIMENSIONS.
- 4 ANCHORS TO SUPPORTING STRUCTURE BY OTHERS.
- 5 ADEQUACY OF SUPPORTING STRUCTURE IS TO BE VERIFIED BY A PROFESSIONAL STRUCTURAL ENGINEER.
- 6 THE LAST CHARACTER IN THE MODEL NUMBER - "E" DESIGNATES ELECTRIC HEATED UNIT.
- 7 DIMENSIONS IN INCHES [CENTIMETERS].
- 8 NO AIR FLOW, AREA HOUSES TRANSFORMER. CENTER ACTIVE NOZZLE WIDTH DIMENSION "A" OVER THE OPENING.

SHEET 1 OF 1

MODEL	NOZZLE WIDTH "A"	MOUNTING WIDTH "B"	UNIT WIDTH "C"	BOTTOM CVR WIDTH "D"
AE08-E-1036E	36.00 [91.44]	36.50 [92.71]	43.00 [109.22]	38.88 [98.74]
AE08-E-1042E	42.00 [106.68]	42.50 [107.95]	49.00 [124.46]	44.88 [113.98]
AE08-E-1048E	48.00 [121.92]	48.50 [123.19]	55.00 [139.70]	50.88 [129.22]
AE08-E-1060E	59.00 [149.86]	59.50 [151.13]	66.00 [167.64]	61.88 [157.16]
AE08-E-1072E	72.00 [182.88]	72.50 [184.15]	79.00 [200.66]	74.88 [190.18]
AE08-E-2084E	84.00 [213.36]	84.50 [214.63]	91.00 [231.14]	86.88 [220.66]
AE08-E-2096E	96.00 [243.84]	96.50 [245.11]	103.00 [261.62]	98.88 [251.16]
AE08-E-2108E	108.00 [274.32]	108.50 [275.59]	115.00 [292.10]	110.88 [281.62]
AE08-E-2120E	118.00 [299.72]	118.50 [300.99]	125.00 [317.50]	120.88 [307.04]

PROJECT		REV	C
LOCATION			
ARCHITECT			
ENGINEER			
DWG. NO.	AE08-E-ELE-600	TITLE:	BERNER
DATE	28JUL2023		MODEL AE08-E AIR CURTAIN 600V ELECTRIC HEATED SYSTEM
BY	D. Johnson		
REPLACES	03MAR2023		
BY	D. Johnson		BERNER INTERNATIONAL CORP. NEW CASTLE, PA.

INACTIVE NOZZLE AREA FOR TRANSFORMER ENCLOSURE. CENTER ACTIVE NOZZLE WIDTH DIMENSION "A" OVER THE OPENING