

Tested in accordance with ISO27327-1 in an accredited A2LA laboratory, not AMCA Certified.

Vestibule Exception for Energy Codes ASHRAE 90.1-2019, IECC 2018, and ASHRAE 189.1, validated by AMCA certification.



Berner International certifies that the air curtains shown herein are licensed to bear the AMCA Seal. The ratings shown are based on tests and procedures performed in accordance with AMCA Publication 211 and comply with the requirements of the AMCA Certified Ratings Program. Rated data shown is for base (unheated) units. The AMCA Certified Ratings Seal applies to airflow rate, average outlet velocity, outlet velocity uniformity, velocity projection and power rating at free delivery only.

5 Year Limited Warranty



indoor use



MODEL	Nozzle Width (mm)	Max Vel. at Nozzle (m/s)	Avg. Outlet Vel. (m/s)	Air Volume (m ³ /hr)	Outlet Vel. Uniformity	Power Rating (kW)	Total Motor (kW)	Total EC Motor Amperage (A)	Net Wt. (kg)
AI08-F-1036A	914	11,7	8,9	1680	85%	0,21	0,15	2,50	22
AI08-F-1042A	1067	12,3	9,0	1983	83%	0,24	0,15	2,50	24
AI08-F-1048A	1219	12,3	9,3	2328	80%	0,26	0,15	2,50	26
AI08-F-1060A	1499	11,6	9,3	2861	81%	0,33	0,15	2,50	31
AI08-F-1072A	1829	11,1	8,4	3150	84%	0,35	0,15	2,50	36
AI08-F-2078A	1981	12,3	9,0	3663	83%	0,44	0,30	5,00	44
AI08-F-2084A	2134	12,3	9,0	3965	83%	0,47	0,30	5,00	48
AI08-F-2096A	2438	12,3	9,3	4655	80%	0,53	0,30	5,00	53
AI08-F-2108A	2743	12,3	9,2	5189	80%	0,60	0,30	5,00	58
AI08-F-2120A	2997	11,6	9,3	5722	81%	0,67	0,30	5,00	63

MODEL NUMBER CONFIGURATION

AI08-F-1 036 A V-EC-CB-D-R-SS

Series	Version	# of Motors	Opening Width	Heat	Voltage	Motor Type	Berner AIR	Opt. Data Link	Opt. Display	Opt. Cabinet Finish
AI08	F	1, 2	036" - 120" (914- 3048mm)	A=Ambient	EC motors only V = 230/1/50	EC= Motor	CB=BASIC (Std.) CM=BMS	D=Physical Interconnect (daisy chain)	R=Remote Display TB=Tablet	SS=Stainless Steel CC=Custom Color

for Standard offering, leave options (Opt.) blank

STANDARD CONSTRUCTION

- 210mm high x 406mm deep
- EC motor(s) - ten speeds
- Touchscreen interface with Intelliswitch™ digital controller, includes Berner AIR® BASIC (smart control)
- Clear satin anodized aluminum exterior
- Wall or Top Mounting
- High efficiency, low noise, articulating, three vane, Pro-V Nozzle
- Filter (washable)

OPTIONS

- Custom Color or Stainless
- Rear cover for top mounting to conceal fasteners
- Berner AIR® BMS (smart control with BACnet and Modbus capabilities)

VELOCITY PROJECTION: Model AI08-F-1036A			
Distance from Nozzle (mm)	1000	2000	3000
Core Velocity (m/s)	4,4	3,9	2,9
Uniformity (%)	90%	88%	87%

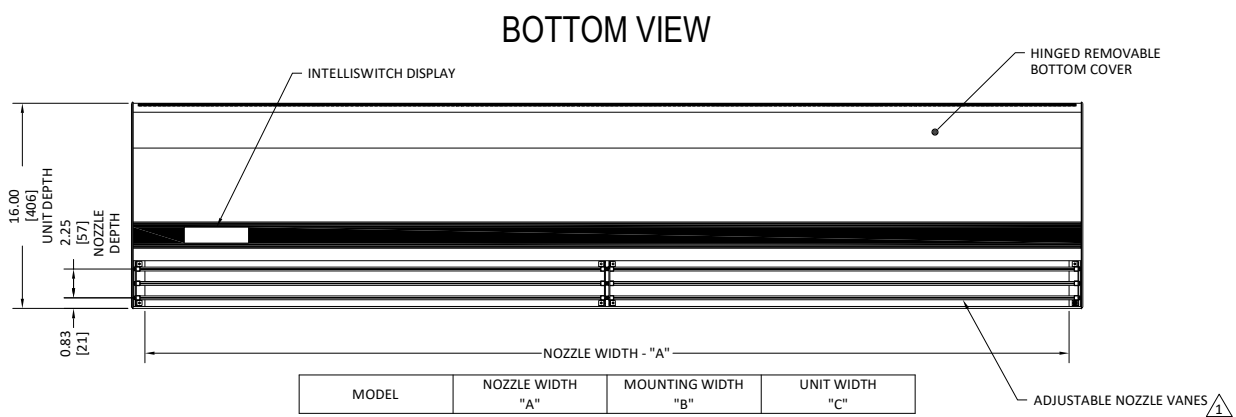
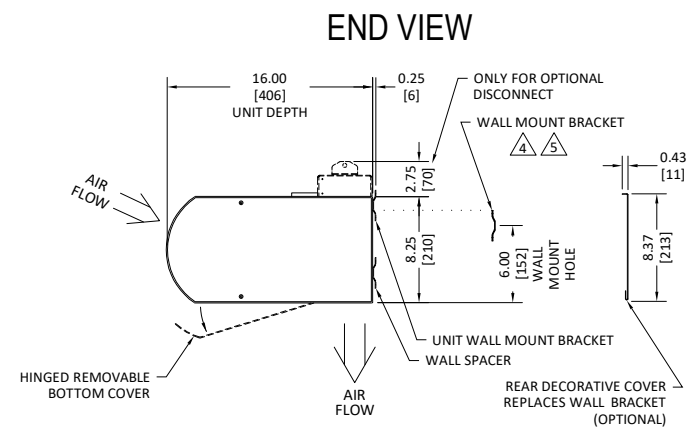
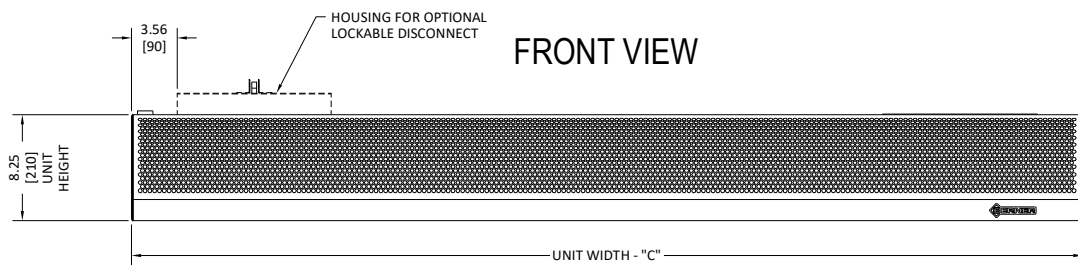
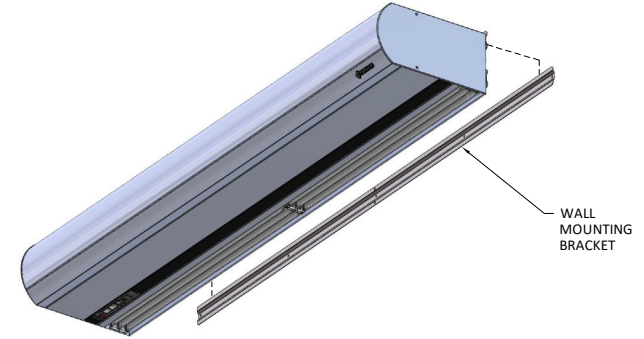
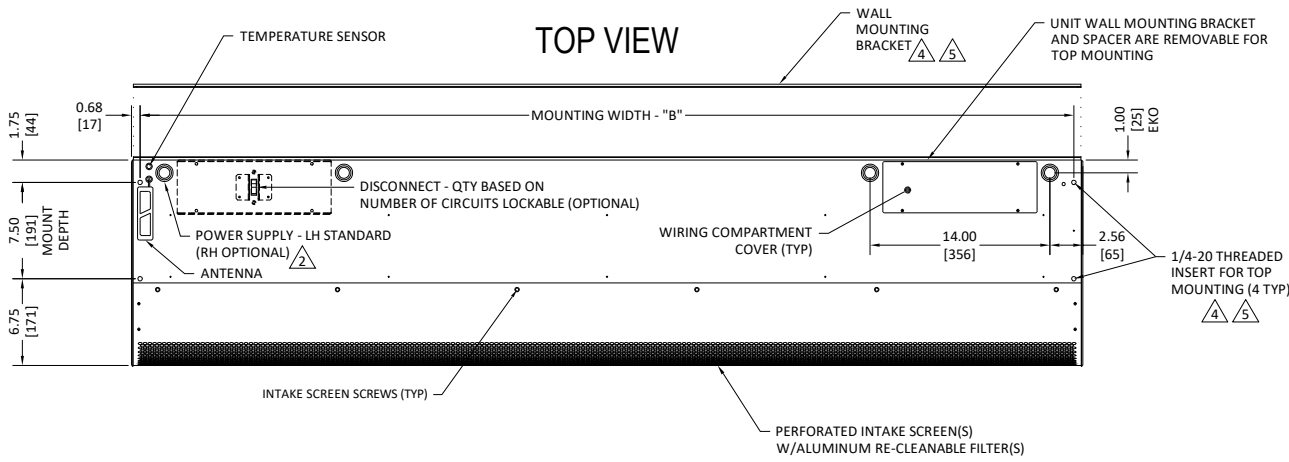
ASHRAE 90.1-2019 vestibule exception requires, "a jet velocity of not less than 6.6 feet per second (400 fpm; 2.0 m/s) at 6.0 in (15 cm) above the floor."

Sound level measured 10' (3m) from the unit in free field:
1 motor: Min./Max. Speed: 49/55 dBA
2 motors: Min./Max. Speed: 52/58 dBA

Sound data is not AMCA certified.

Berner reserves the right to alter specifications without prior notice.

AI08-F AMBIENT (UNHEATED) SYSTEM: 120 - 277V



MODEL	NOZZLE WIDTH "A"	MOUNTING WIDTH "B"	UNIT WIDTH "C"
AI08-F-1036A	36.00 [914]	36.75 [934]	38.13 [968]
AI08-F-1042A	42.00 [1067]	42.75 [1086]	44.13 [1121]
AI08-F-1048A	48.00 [1219]	48.75 [1238]	50.13 [1273]
AI08-F-1060A	59.00 [1499]	59.75 [1518]	61.13 [1553]
AI08-F-1072A	72.00 [1829]	72.75 [1848]	74.13 [1883]
AI08-F-1078A	78.00 [1981]	78.75 [2000]	80.13 [2035]
AI08-F-2084A	84.00 [2134]	84.75 [2153]	86.13 [2188]
AI08-F-2096A	96.00 [2438]	96.75 [2458]	98.13 [2492]
AI08-F-2108A	108.00 [2743]	108.75 [2762]	110.13 [2797]
AI08-F-2120A	118.00 [2997]	118.75 [3016]	120.13 [3051]

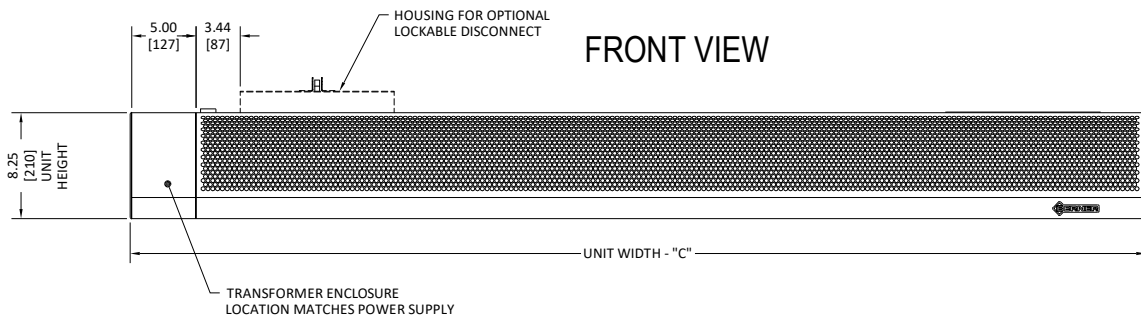
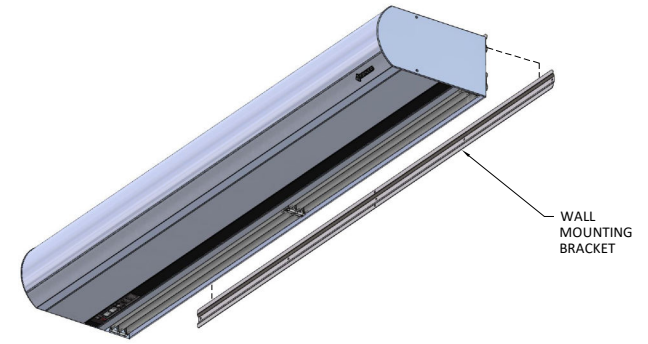
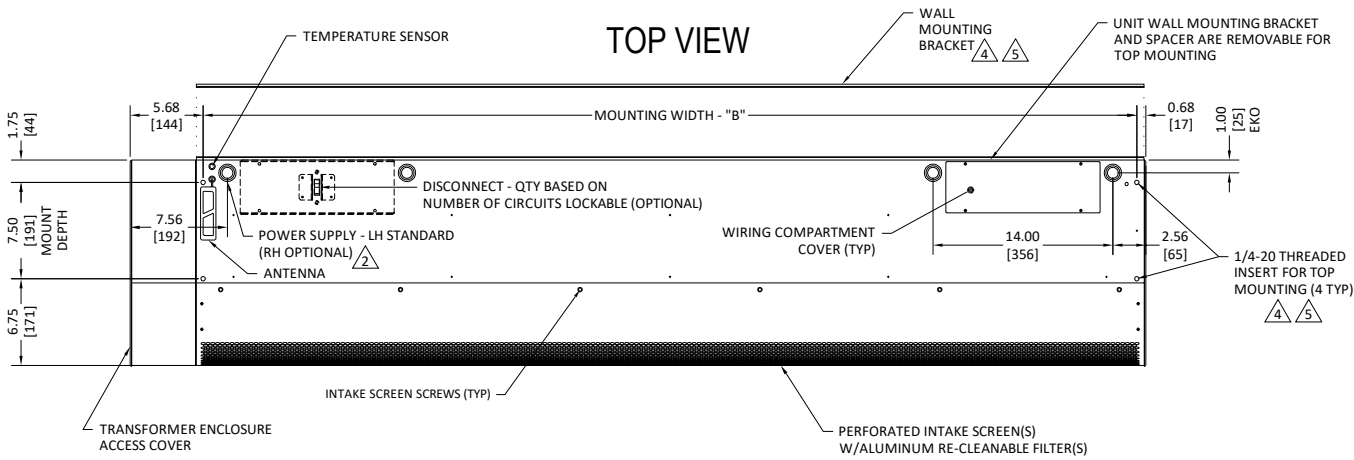
NOTES:

- 1 AIR CURTAIN MUST BE INSTALLED SO AIR STREAM IS NOT OBSTRUCTED WHEN DEFLECTED 20° TO EITHER SIDE OF C.
- 2 ELECTRICAL CONNECTIONS TO BE FLEXIBLE.
- 3 FIELD VERIFY DIMENSIONS.
- 4 ANCHORS TO SUPPORTING STRUCTURE BY OTHERS.
- 5 ADEQUACY OF SUPPORTING STRUCTURE IS TO BE VERIFIED BY A PROFESSIONAL STRUCTURAL ENGINEER.
- 6 THE LAST CHARACTER IN THE MODEL NUMBER - "A" DESIGNATES AMBIENT (UNHEATED) UNIT.
- 7 DIMENSIONS IN INCHES [MILLIMETERS].

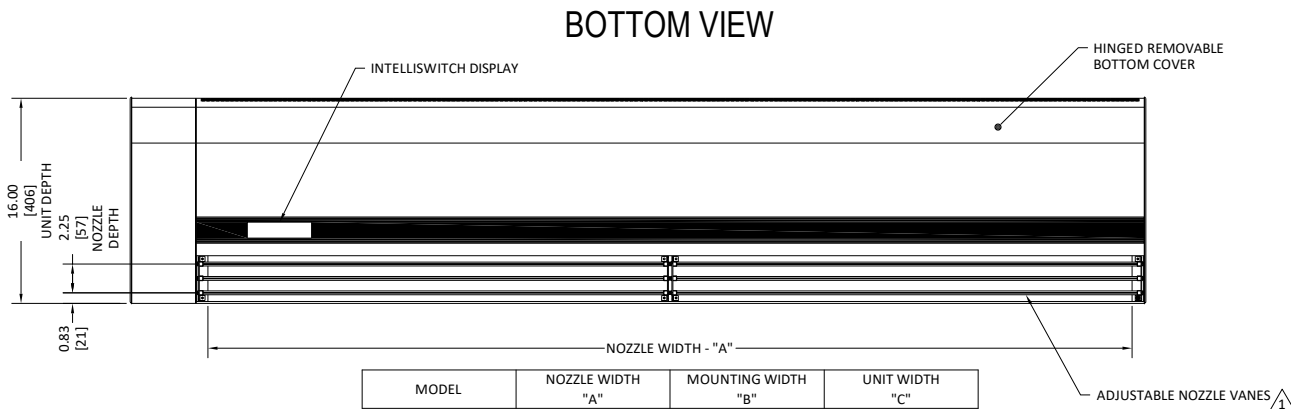
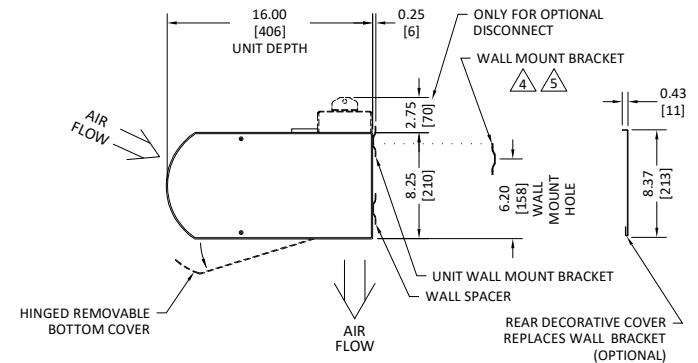
SHEET 1 OF 1

PROJECT		REV	0
LOCATION			
ARCHITECT			
ENGINEER			
DWG. NO.	AI08-F-AMB-120	TITLE:	BERNER
DATE	23JAN2025		MODEL AI08-F AIR CURTAIN 120 - 277V AMBIENT (UNHEATED) SYSTEM
BY	S. Beil		
REPLACES	10JUL2023		
BY	D.Johnson		BERNER INTERNATIONAL CORP. NEW CASTLE, PA.

AI08-F AMBIENT (UNHEATED) SYSTEM: 600V



END VIEW



MODEL	NOZZLE WIDTH "A"	MOUNTING WIDTH "B"	UNIT WIDTH "C"
AI08-F-1036A	36.00 [914]	36.75 [934]	38.13 [968]
AI08-F-1042A	42.00 [1067]	42.75 [1086]	44.13 [1121]
AI08-F-1048A	48.00 [1219]	48.75 [1238]	50.13 [1273]
AI08-F-1060A	59.00 [1499]	59.75 [1518]	61.13 [1553]
AI08-F-1072A	72.00 [1829]	72.75 [1848]	74.13 [1883]
AI08-F-1078A	78.00 [1981]	78.75 [2000]	80.13 [2035]
AI08-F-2084A	84.00 [2134]	84.75 [2153]	86.13 [2188]
AI08-F-2096A	96.00 [2438]	96.75 [2458]	98.13 [2492]
AI08-F-2108A	108.00 [2743]	108.75 [2762]	110.13 [2797]
AI08-F-2120A	118.00 [2997]	118.75 [3016]	120.13 [3051]

NOTES:

- 1 AIR CURTAIN MUST BE INSTALLED SO AIR STREAM IS NOT OBSTRUCTED WHEN DEFLECTED 20° TO EITHER SIDE OF C.
- 2 ELECTRICAL CONNECTIONS TO BE FLEXIBLE.
- 3 FIELD VERIFY DIMENSIONS.
- 4 ANCHORS TO SUPPORTING STRUCTURE BY OTHERS.
- 5 ADEQUACY OF SUPPORTING STRUCTURE IS TO BE VERIFIED BY A PROFESSIONAL STRUCTURAL ENGINEER.
- 6 THE LAST CHARACTER IN THE MODEL NUMBER - "A" DESIGNATES AMBIENT (UNHEATED) UNIT.
- 7 DIMENSIONS IN INCHES [MILLIMETERS].

SHEET 1 OF 1

PROJECT		REV	0
LOCATION			
ARCHITECT			
ENGINEER			
DWG. NO.	AI08-F-AMB-600	TITLE:	BERNER
DATE	23JAN2025	MODEL AI08-F AIR CURTAIN 600V AMBIENT (UNHEATED) SYSTEM	
BY	S. Beil		
REPLACES	10JUL2023		
BY	D.Johnson	BERNER INTERNATIONAL CORP. NEW CASTLE, PA.	