

Berner International certifies that the air curtains shown herein are licensed to bear the AMCA Seal. The ratings shown are based on tests and procedures performed in accordance with AMCA Publication 211 and comply with the requirements of the AMCA Certified Ratings Program. Rated data shown is for base (hot water heated) units. The AMCA Certified Ratings Seal applies to airflow rate, average outlet velocity, outlet velocity uniformity, velocity projection and power rating at free delivery only.

Model ARE12-1060W is not licensed to bear the AMCA seal.

**5 Year Limited Warranty**



indoor use



Tested in accordance with ISO27327-1 in an accredited A2LA laboratory, not AMCA Certified.

MODEL	Nozzle Width (mm)	Max Vel. at Nozzle (m/s)	Avg. Outlet Vel. (m/s)	Air Volume (m³/hr)	Outlet Vel. Uniformity	Power Rating (kW)	Total Motor (kW)	Total EC Motor Amperage (A)	Water Coil Output (kW)	Entering/Leaving Water Temp (°C)		Water Flow Rate (l/s)	Fluid Pressure Drop (kPA)	Air Temp. Rise (°C)	Net Wt. (kg)
ARE12-1036W	914	24,5	7,3	2139	75%	0,54	0,37	4,10	6,4	60	55	0,3	1,9	9	57
ARE12-1042W	1067	29,3	6,3	2139	66%	0,62	0,37	4,10	7,2	60	55	0,3	2,8	10	62
ARE12-1048W	1219	37,1	5,5	2139	77%	0,59	0,37	4,10	7,9	60	55	0,4	3,4	11	66
ARE12-1060W	1676	24,5	5,2	2798	83%	0,52	0,37	4,10	10,4	60	53	0,4	3,7	11	80
ARE12-2060W	1676	20,2	7,2	3836	76%	0,89	0,74	8,20	12,6	60	54	0,5	6,5	10	97
ARE12-2072W	1829	24,5	7,3	4278	75%	1,08	0,74	8,20	14,2	60	54	0,6	8,4	10	104
ARE12-2078W	1981	29,3	6,7	4278	66%	1,16	0,74	8,20	14,8	60	54	0,6	8,5	10	108
ARE12-2084W	2134	29,3	6,3	4278	66%	1,24	0,74	8,20	15,8	60	54	0,7	12,9	11	112
ARE12-2096W	2515	37,1	5,3	4278	77%	1,18	0,74	8,20	16,8	60	54	0,7	13,4	12	120
ARE12-3096W	2515	20,2	7,4	5975	75%	1,43	1,11	12,30	20,3	60	54	0,9	20,0	10	138
ARE12-3108W	2743	24,5	7,3	6417	75%	1,62	1,11	12,30	22,1	60	54	0,9	22,1	10	153
ARE12-3120W	2972	24,5	6,7	6417	66%	1,78	1,11	12,30	23,2	60	54	0,9	26,1	11	161
ARE12-3132W	3353	29,3	6,0	6417	66%	1,83	1,11	12,30	24,5	60	54	0,9	27,3	11	171
ARE12-3144W	3658	37,1	5,5	6417	77%	1,77	1,11	12,30	25,1	60	53	0,9	24,9	12	178
ARE12-4144W	3658	24,5	7,3	8556	75%	2,16	1,48	16,40	30,2	60	54	1,2	44,6	10	203

**NOTES:**

- Standard connection same end supply/return.
- Coil should be field supplied with a solenoid/control valve that energizes only when air curtain is energized. Consideration must be taken for freeze protection when necessary.
- Coil performance based on 18°C entering air temperature.
- Maximum leaving air temperature shall not exceed 49°C.
- Consult factory for alternate entering air & water temperatures or Volumetric Flow Rate.

Berner does not recommend ARE12-1060W, exists only as an equivalent to competitors' models.

### MODEL NUMBER CONFIGURATION

## ARE12-1 036 W V -CB-D-R-SS

Series	# of Motors	Opening Width	Heat	Voltage	Berner AIR	Opt. Data Link	Opt. Display	Opt. Cabinet Finish
ARE12	1, 2, 3, 4	036" - 144" (914- 3658mm)	W=Hot Water Heated	EC motors only V = 230/1/50	CB=BASIC (Std.) CM=BMS	D=Physical Interconnect (daisy chain)	R=Remote Display TB=Tablet	SS=Stainless Steel CC=Custom Color

for Standard offering, leave options (Opt.) blank

### STANDARD CONSTRUCTION

- 381mm high x 660mm deep
- 0,37kW motor(s) - ten speeds
- Touchscreen interface with Intelliswitch™ digital controller, includes Berner AIR® BASIC (smart control)
- White aluminum bottom panel
- Top Mounting only
- High efficiency, low noise Pro-V Nozzle
- Factory installed coil
- Filter (washable)

### OPTIONS

- Bottom panel finish: Custom Color or Stainless
- Berner AIR® BMS (smart control with BACnet and Modbus capabilities)

VELOCITY PROJECTION: Model ARE12-1036W					
Distance from Nozzle (mm)	1000	2000	3000	4000	5000
Core Velocity (m/s)	7,1	4,7	4,7	3,9	3,4
Uniformity (%)	81%	84%	93%	91%	90%

ASHRAE 90.1-2019 vestibule exception requires, "a jet velocity of not less than 6.6 feet per second (400 fpm; 2.0 m/s) at 6.0 in (15 cm) above the floor."

Sound level measured 10' (3m) from the unit in free field:

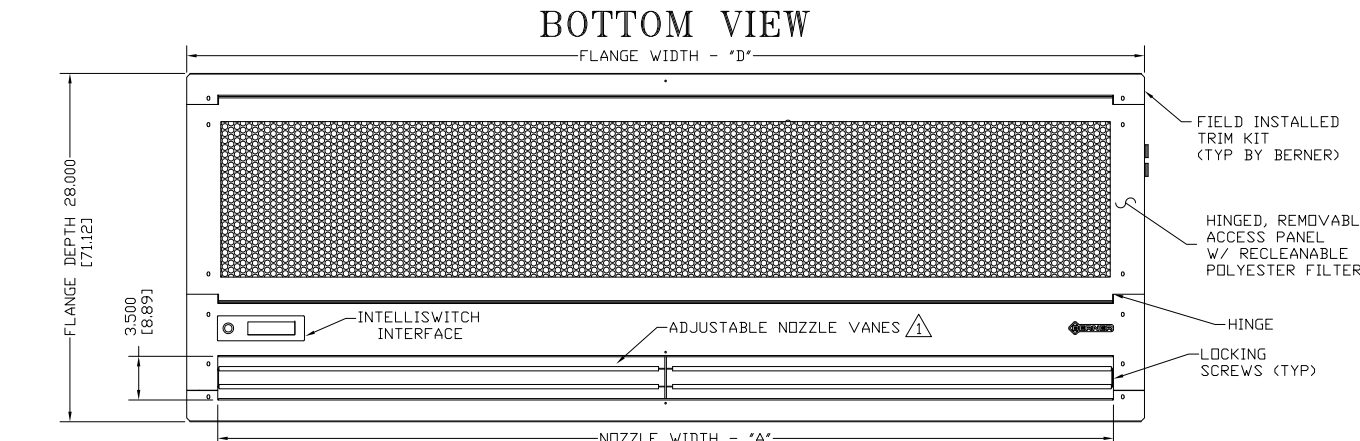
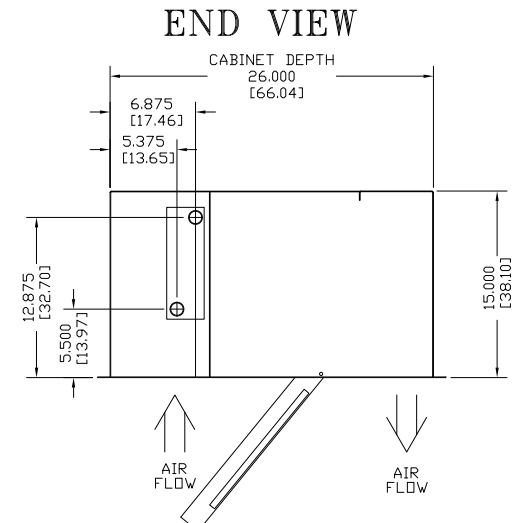
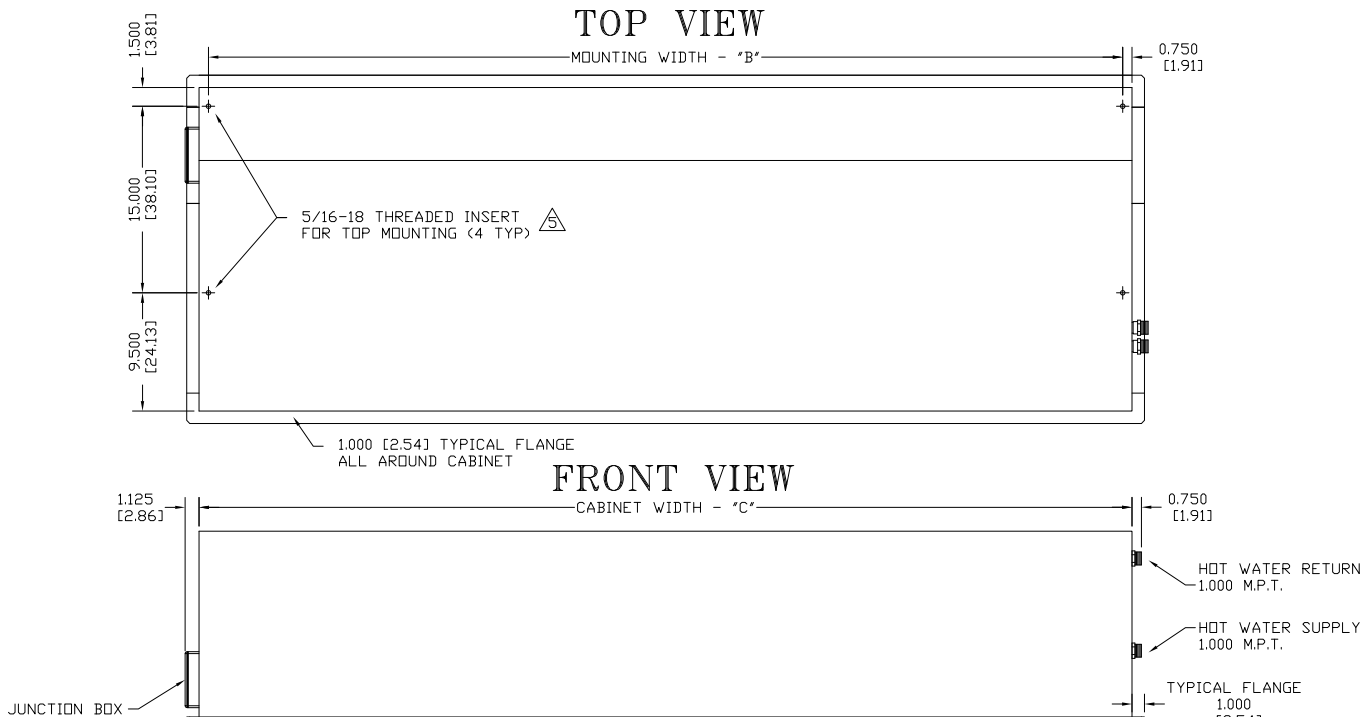
1 motor:	Min./Max. Speed:	59/62 dBA
2 motors:	Min./Max. Speed:	62/65 dBA
3 motors:	Min./Max. Speed:	64/67 dBA
4 motors:	Min./Max. Speed:	65/68 dBA

Sound data is not AMCA certified.

Berner reserves the right to alter specifications without prior notice.

# ARE12

## ARCHITECTURAL RECESSED HOT WATER HEATED



### NOTES:

- 1 AIR CURTAIN MUST BE INSTALLED SO AIR STREAM IS NOT OBSTRUCTED WHEN DEFLECTED 20° TO EITHER SIDE OF C.
- 2 ELECTRICAL CONNECTIONS TO BE FLEXIBLE.
- 3 FIELD VERIFY DIMENSIONS.
- 4 ANCHORS TO SUPPORTING STRUCTURE BY OTHERS.
- 5 ADEQUACY OF SUPPORTING STRUCTURE IS TO BE VERIFIED BY A PROFESSIONAL STRUCTURAL ENGINEER.
- 6 LETTER "W" IN MODEL NUMBER DESIGNATES HOT WATER HEATED UNIT.
- 7 DIMENSIONS IN INCHES [MILLIMETERS].

MODEL	NOZZLE WIDTH "A"	MOUNTING WIDTH "B"	CABINET WIDTH "C"	FLANGE WIDTH "D"	RECOMMENDED ROUGH OPENING DEPTH x WIDTH
ARE12-1036W	36.00 [914]	37.50 [953]	39.00 [991]	41.00 [1041]	27.00 x 40.00 [686 x 1016]
ARE12-1042W	42.00 [1067]	43.50 [1105]	45.00 [1143]	47.00 [1194]	27.00 x 46.00 [686 x 1168]
ARE12-1048W	48.00 [1219]	49.50 [1257]	51.00 [1295]	53.00 [1346]	27.00 x 52.00 [686 x 1321]
ARE12-1060W/2060W	66.00 [1676]	67.50 [1712]	69.00 [1753]	71.00 [1803]	27.00 x 70.00 [686 x 1778]
ARE12-2072W	72.00 [1829]	73.50 [1867]	75.00 [1905]	77.00 [1956]	27.00 x 76.00 [686 x 1930]
ARE12-2078W	78.00 [1981]	79.50 [2019]	81.00 [2057]	83.00 [2108]	27.00 x 82.00 [686 x 2083]
ARE12-2084W	84.00 [2133]	85.50 [2172]	87.00 [2210]	89.00 [2261]	27.00 x 88.00 [686 x 2235]
ARE12-2096W/3096W	99.00 [2515]	100.50 [2553]	102.00 [2591]	104.00 [2642]	27.00 x 103.00 [686 x 2616]
ARE12-3108W	108.00 [2743]	109.50 [2781]	111.00 [2819]	113.00 [2870]	27.00 x 112.00 [686 x 2845]
ARE12-3120W	117.00 [2972]	118.50 [3010]	120.00 [3048]	122.00 [3099]	27.00 x 121.00 [686 x 3073]
ARE12-3132W	132.00 [3353]	133.50 [3391]	135.00 [3429]	137.00 [3480]	27.00 x 136.00 [686 x 3454]
ARE12-3144W/4144W	144.00 [3658]	145.50 [3696]	147.00 [3734]	149.00 [3785]	27.00 x 148.00 [686 x 3759]

PROJECT		TITLE:	<b>BERNER</b>
LOCATION		DATE:	08DEC2025
ARCHITECT		BY:	S. Beil
ENGINEER		REPLACES	-
		BY	-
		MODEL AED12 AIR CURTAIN HOT WATER HEATED SYSTEM	
		BERNER INTERNATIONAL CORP. NEW CASTLE, PA.	