

Tested in accordance with ISO27327-1 in an accredited A2LA laboratory.

5 Year Limited Warranty



MODEL	Nozzle Width (mm)	Max Vel. at Nozzle (m/s)	Avg. Outlet Vel. (m/s)	Air Volume (m³/hr)	Outlet Vel. Uniformity	Power Rating (kW)	Total Motor (kW)	Total AC Motor Amperage (A)	Net Wt. (kg)
IDC12-1036A	914	21,9	7,3	2141	87%	0,42	0,37	3,50	45
IDC12-1042A	1067	23,5	6,6	2241	89%	0,43	0,37	3,50	48
IDC12-1048A	1219	22,4	5,8	2257	78%	0,44	0,37	3,50	50
IDC12-2060A	1676	20,2	7,7	4150	85%	0,82	0,74	7,00	77
IDC12-2072A	1829	21,9	7,3	4281	87%	0,85	0,74	7,00	81
IDC12-2078A	1981	21,9	6,9	4382	87%	0,86	0,74	7,00	83
IDC12-2084A	2134	23,5	6,6	4482	89%	0,87	0,74	7,00	86
IDC12-2096A	2515	22,4	5,6	4514	78%	0,88	0,74	7,00	90
IDC12-3096A	2515	20,2	7,8	6290	85%	1,25	1,11	10,50	109
IDC12-3108A	2743	21,9	7,3	6422	87%	1,27	1,11	10,50	128
IDC12-3120A	2972	21,9	7,0	6623	87%	1,29	1,11	10,50	132
IDC12-3132A	3353	22,4	6,3	6739	78%	1,31	1,11	10,50	141
IDC12-3144A	3658	22,4	5,8	6770	78%	1,32	1,11	10,50	147
IDC12-4144A	3658	21,9	7,3	8563	87%	1,70	1,48	14,00	166
IDC12-4156A	3962	21,9	6,9	8764	87%	1,72	1,48	14,00	173
IDC12-4168A	4267	23,5	6,6	8965	89%	1,73	1,48	14,00	179
IDC12-4180A	4572	22,4	6,1	8996	78%	1,75	1,48	14,00	185
IDC12-5180A	4572	21,9	7,3	10703	87%	2,12	1,85	17,50	203
IDC12-4192A	4877	22,4	5,8	9027	78%	1,77	1,48	14,00	190
IDC12-5192A	4877	22,4	6,9	10804	78%	2,13	1,85	17,50	209

### MODEL NUMBER CONFIGURATION

#### IDC12-1 036 A V-F-SS

Series	# of Motors	Opening Width	Heat	Voltage	Intake	Opt. Cabinet Finish
IDC12	1, 2, 3, 4, 5	036" - 192" (914- 4877mm)	A=Ambient	AC motors only V=230/1/50	T=Top F=Front	SS=Stainless Steel CC=Custom Color

for Standard offering, leave options (Opt.) blank

#### STANDARD CONSTRUCTION

- 0,37 kW single speed motor(s) - direct drive (Optional: three-speed)
- Touchscreen interface with Intelliswitch™ digital controller, includes Berner AIR® BASIC (smart control)
- Gray powder coated exterior with mill aluminum screen and access panels
- Wall & Top Mounting
- Front air intake (Optional: top)
- High efficiency Pro-V Nozzle

#### OPTIONS

- Custom Color or Stainless
- Berner AIR® BMS (smart control with BACnet and Modbus capabilities)

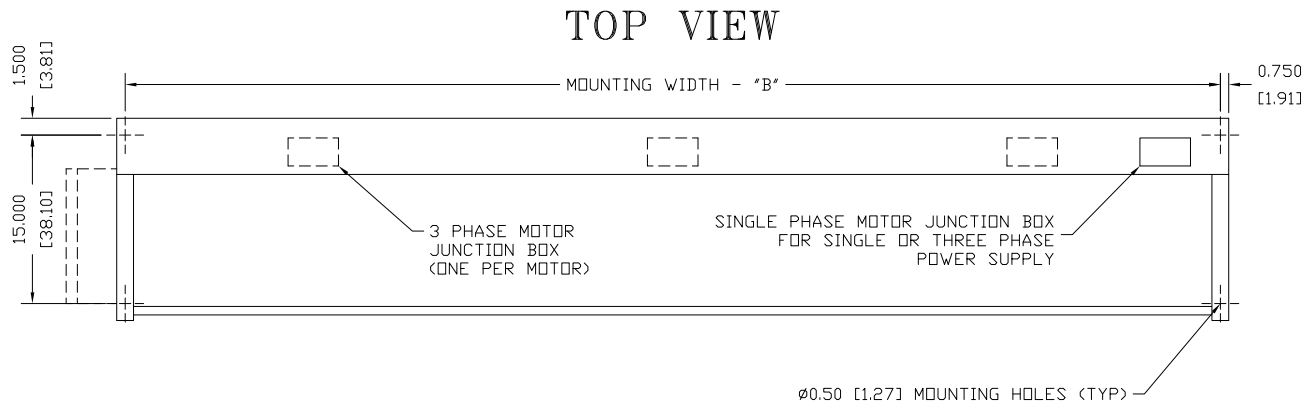
VELOCITY PROJECTION: Model IDC12-1036A			
Distance from Nozzle (mm)	1000	2000	3000
Core Velocity (m/s)	11,1	7,9	6,7
Uniformity (%)	89%	93%	92%

Sound level measured 10' (3m) from the unit in free field:

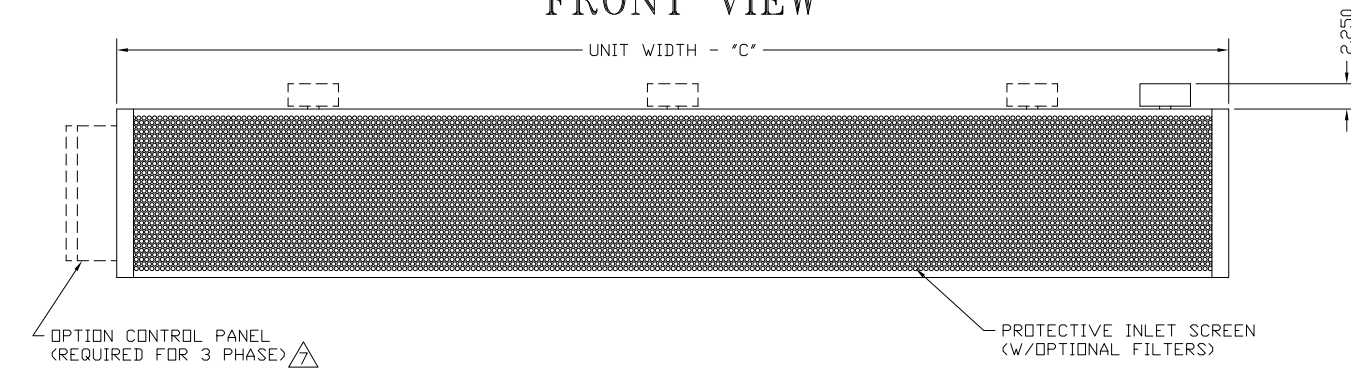
1, 2, 3, 4 & 5 motor(s): 63 dBA, 66 dBA, 68 dBA, 69 dBA & 70 dBA

Berner reserves the right to alter specifications without prior notice.

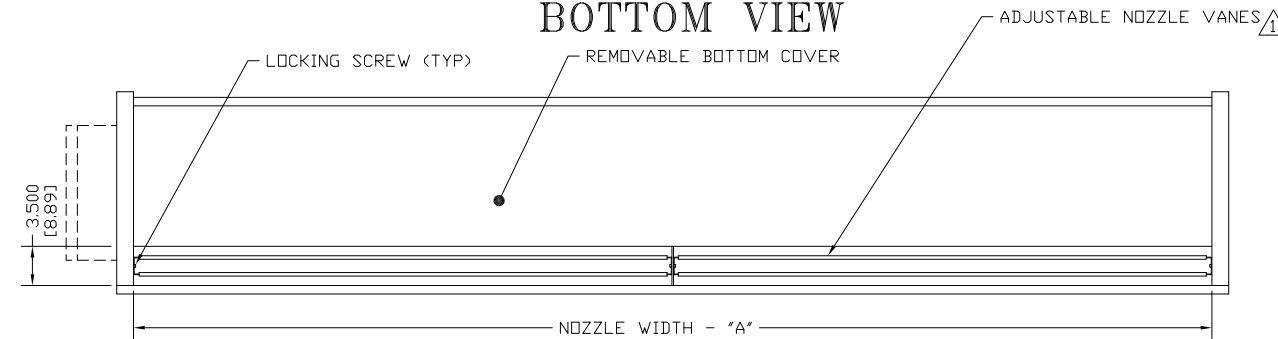
# IDC12 AMBIENT SYSTEM



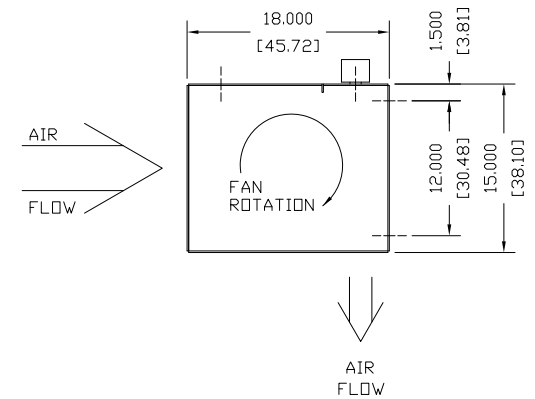
FRONT VIEW



BOTTOM VIEW



END VIEW



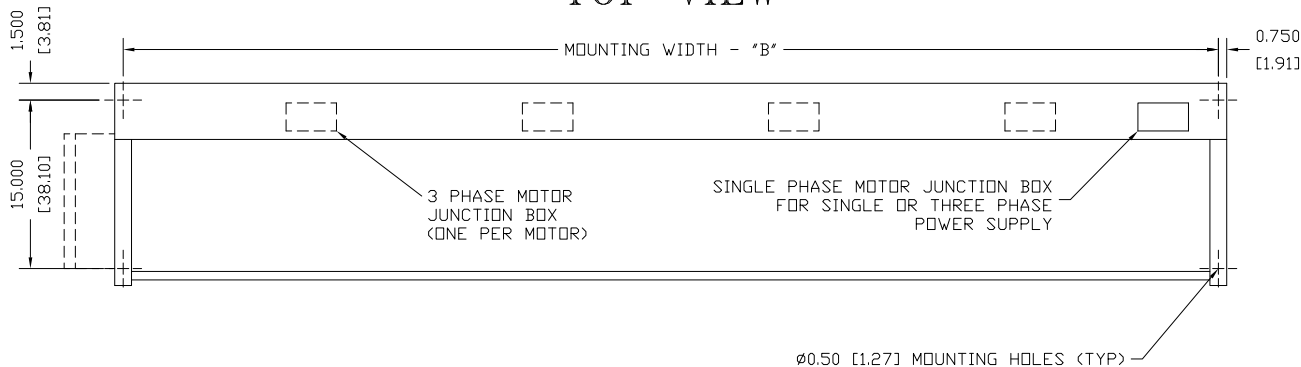
## NOTES:

- 1 AIR CURTAIN MUST BE INSTALLED SO AIR STREAM IS NOT OBSTRUCTED WHEN DEFLECTED 20° TO EITHER SIDE OF  $\phi$ .
- 2 ELECTRICAL CONNECTIONS TO BE FLEXIBLE.
- 3 FIELD VERIFY DIMENSIONS.
- 4 ANCHORS TO SUPPORTING STRUCTURE BY OTHERS.
- 5 ADEQUACY OF SUPPORTING STRUCTURE IS TO BE VERIFIED BY A PROFESSIONAL STRUCTURAL ENGINEER.
- 6 LETTER "A" IN MODEL NUMBER DESIGNATES, AMBIENT UNIT.
- 7 STANDARD CONTROL PANEL LEFT HAND MOUNT, OPTIONAL RIGHT HAND MOUNT, OR REMOTE. PLEASE SPECIFY.
- 8 DIMENSIONS IN INCHES [MILLIMETERS].

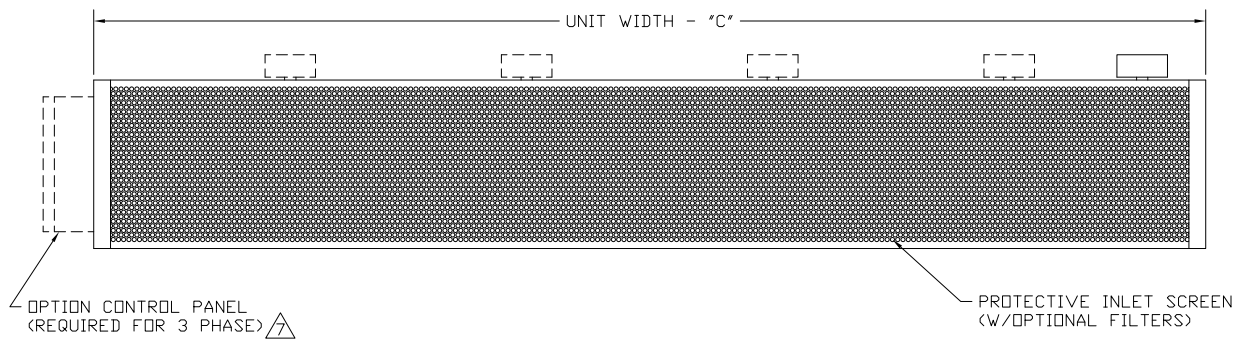
MODEL <sup>6</sup>	NOZZLE WIDTH "A"	MOUNTING WIDTH "B"	UNIT WIDTH "C"
IDC12-1036A	36.00 [914]	37.50 [953]	39.00 [991]
IDC12-1042A	42.00 [1067]	43.50 [1104]	45.00 [1143]
IDC12-1048A	48.00 [1219]	49.50 [1257]	51.00 [1295]
IDC12-2060A	66.00 [1676]	67.50 [1715]	69.00 [1753]
IDC12-2072A	72.00 [1829]	73.50 [1867]	75.00 [1905]
IDC12-2078A	78.00 [1921]	79.50 [2019]	81.00 [2057]
IDC12-2084A	84.00 [2134]	85.50 [2172]	87.00 [2210]
IDC12-2096A/3096A	99.00 [2515]	100.50 [2553]	102.00 [2591]
IDC12-3108A	108.00 [2743]	109.50 [2781]	111.00 [2819]
IDC12-3120A	117.00 [2972]	118.50 [3010]	120.00 [3048]
IDC12-3132A	132.00 [3353]	133.50 [3391]	135.00 [3429]
IDC12-3144A/4144A	144.00 [3658]	145.50 [3696]	147.00 [3734]

PROJECT			
LOCATION			
ARCHITECT			
ENGINEER			REV. A
DWG. NO.	IDC12-AMB1	TITLE:	<b>BERNER</b>
DATE	11DEC2024	MODEL IDC12 AIR CURTAIN AMBIENT SYSTEM	
BY	S. Beil		
REPLACES	28MAY2014		
BY	S. Beil	BERNER INTERNATIONAL CORP. NEW CASTLE, PA.	

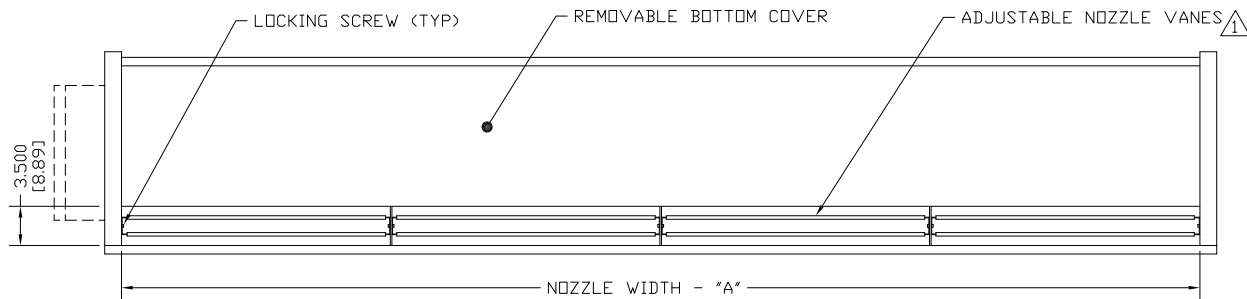
### TOP VIEW



### FRONT VIEW

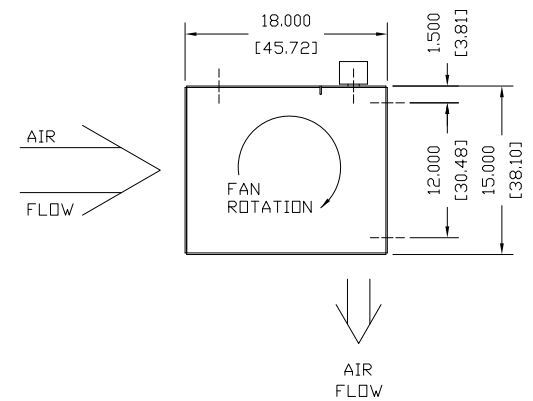


### BOTTOM VIEW



# IDC12 AMBIENT SYSTEM

### END VIEW



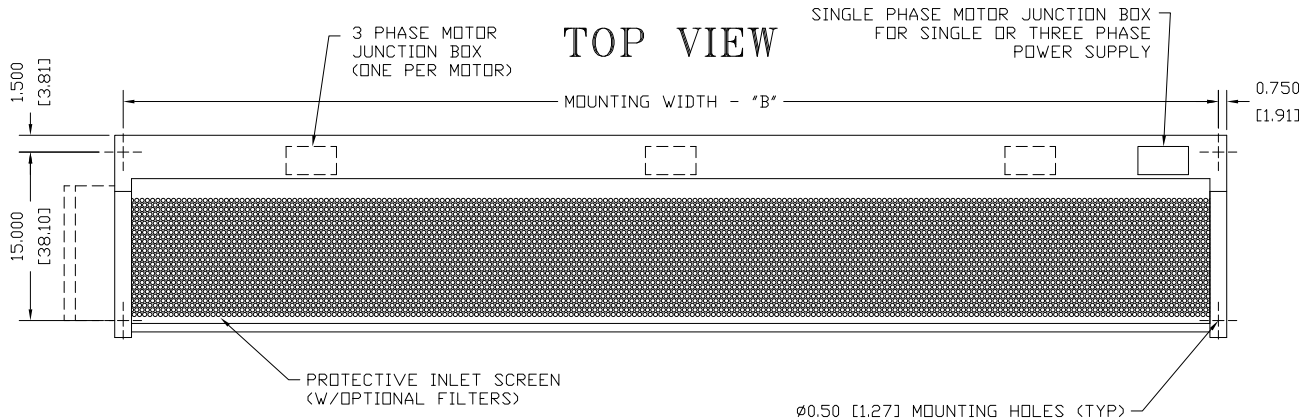
### NOTES:

- ① AIR CURTAIN MUST BE INSTALLED SO AIR STREAM IS NOT OBSTRUCTED WHEN DEFLECTED 20° TO EITHER SIDE OF  $\phi$ .
- ② ELECTRICAL CONNECTIONS TO BE FLEXIBLE.
- ③ FIELD VERIFY DIMENSIONS.
- ④ ANCHORS TO SUPPORTING STRUCTURE BY OTHERS.
- ⑤ ADEQUACY OF SUPPORTING STRUCTURE IS TO BE VERIFIED BY A PROFESSIONAL STRUCTURAL ENGINEER.
- ⑥ LETTER "A" IN MODEL NUMBER DESIGNATES, AMBIENT UNIT.
- ⑦ STANDARD CONTROL PANEL LEFT HAND MOUNT, OPTIONAL RIGHT HAND MOUNT, OR REMOTE. PLEASE SPECIFY.
- ⑧ DIMENSIONS IN INCHES [MILLIMETERS].

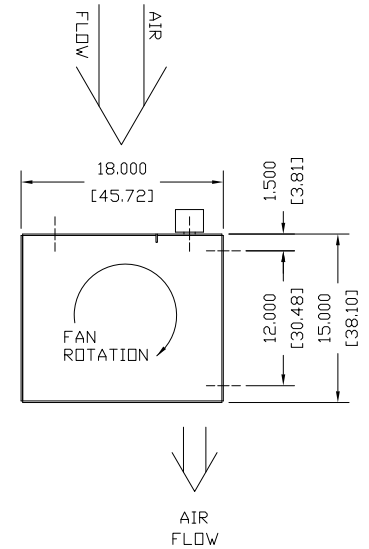
MODEL ⑥	NOZZLE WIDTH "A"	MOUNTING WIDTH "B"	UNIT WIDTH "C"
IDC12-4156A	156.00 [3962]	157.50 [4001]	159.00 [4039]
IDC12-4168A	168.00 [4267]	169.50 [4305]	171.00 [4343]
IDC12-4180A/5180A	180.00 [4572]	181.50 [4610]	183.00 [4648]
IDC12-4192A/5192A	192.00 [4877]	193.50 [4915]	195.00 [4953]

PROJECT			
LOCATION			
ARCHITECT			
ENGINEER			REV. A
DWG. NO.	IDC12-AMB2	TITLE:	<b>BERNER</b>
DATE	11DEC2024	MODEL IDC12 AIR CURTAIN AMBIENT SYSTEM	
BY	S. Beil		
REPLACES	28MAY2014		
BY	S. Beil	BERNER INTERNATIONAL CORP. NEW CASTLE, PA.	

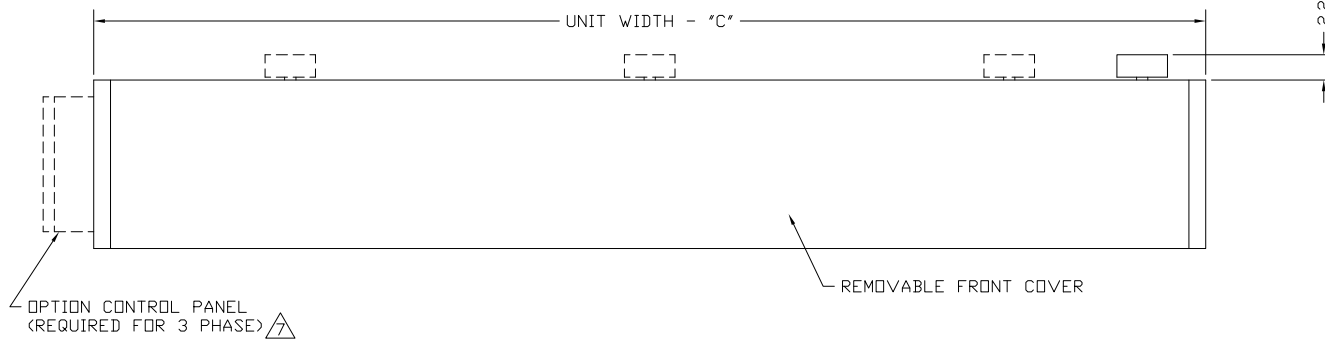
# IDC12 AMBIENT SYSTEM TOP INTAKE



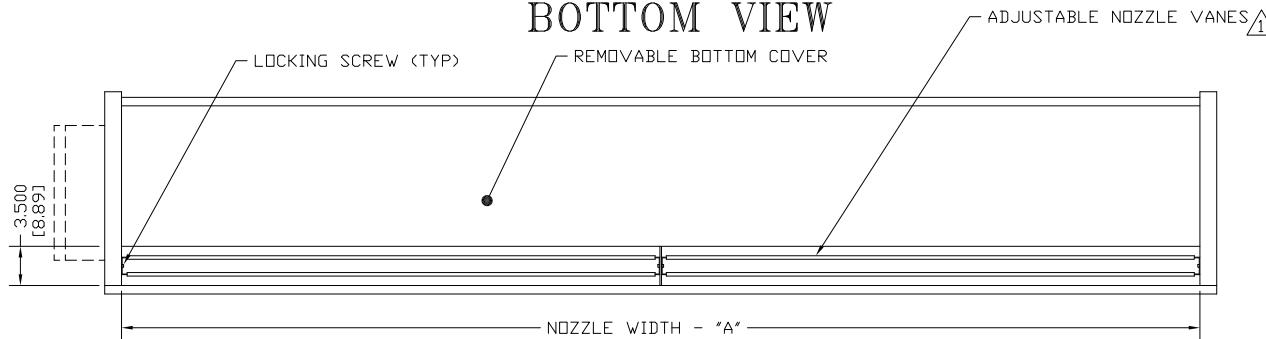
## END VIEW



## FRONT VIEW



## BOTTOM VIEW

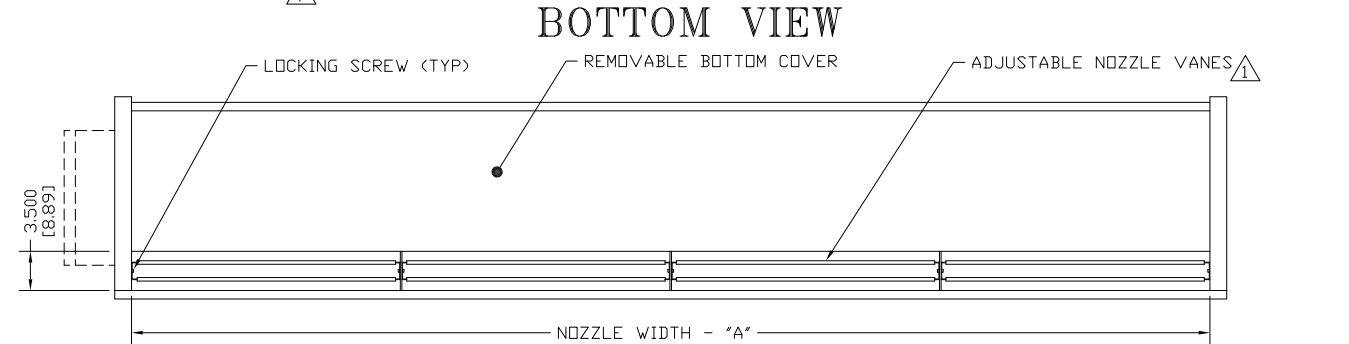
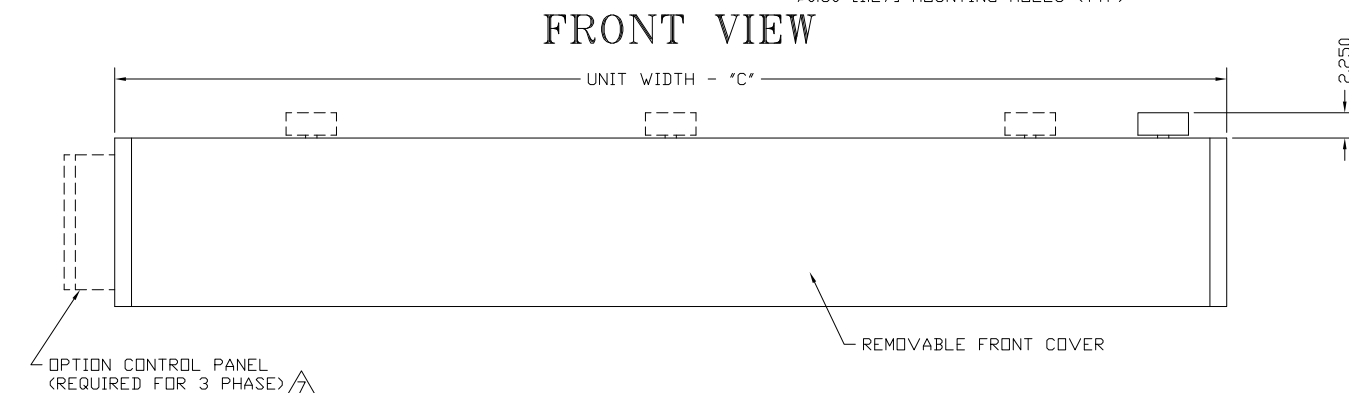
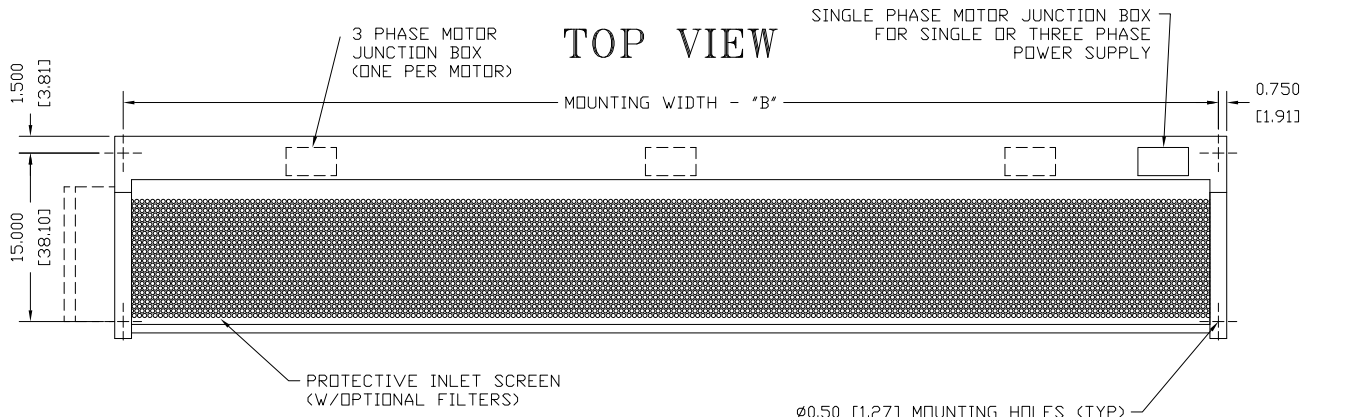


## NOTES:

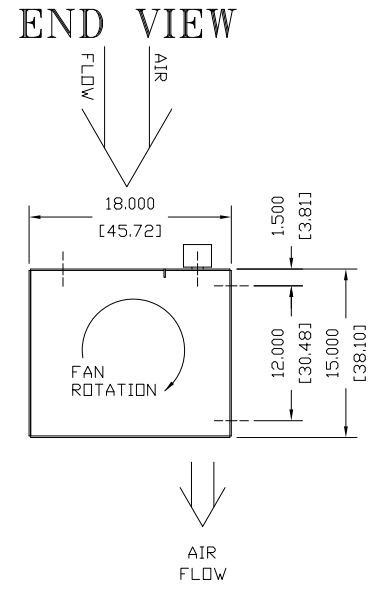
- $\triangle 1$  AIR CURTAIN MUST BE INSTALLED SO AIR STREAM IS NOT OBSTRUCTED WHEN DEFLECTED 20° TO EITHER SIDE OF  $\phi$ .
- $\triangle 2$  ELECTRICAL CONNECTIONS TO BE FLEXIBLE.
- $\triangle 3$  FIELD VERIFY DIMENSIONS.
- $\triangle 4$  ANCHORS TO SUPPORTING STRUCTURE BY OTHERS.
- $\triangle 5$  ADEQUACY OF SUPPORTING STRUCTURE IS TO BE VERIFIED BY A PROFESSIONAL STRUCTURAL ENGINEER.
- $\triangle 6$  LETTER "A" IN MODEL NUMBER DESIGNATES, AMBIENT UNIT.
- $\triangle 7$  STANDARD CONTROL PANEL LEFT HAND MOUNT, OPTIONAL RIGHT HAND MOUNT, OR REMOTE. PLEASE SPECIFY.
- $\triangle 8$  DIMENSIONS IN INCHES [MILLIMETERS].

MODEL $\triangle 6$	NOZZLE WIDTH "A"	MOUNTING WIDTH "B"	UNIT WIDTH "C"
IDC12-1036A	36.00 [914]	37.50 [953]	39.00 [991]
IDC12-1042A	42.00 [1067]	43.50 [1104]	45.00 [1143]
IDC12-1048A	48.00 [1219]	49.50 [1257]	51.00 [1295]
IDC12-2060A	66.00 [1676]	67.50 [1715]	69.00 [1753]
IDC12-2072A	72.00 [1829]	73.50 [1867]	75.00 [1905]
IDC12-2078A	78.00 [1921]	79.50 [2019]	81.00 [2057]
IDC12-2084A	84.00 [2134]	85.50 [2172]	87.00 [2210]
IDC12-2096A/3096A	99.00 [2515]	100.50 [2553]	102.00 [2591]
IDC12-3108A	108.00 [2743]	109.50 [2781]	111.00 [2819]
IDC12-3120A	117.00 [2972]	118.50 [3010]	120.00 [3048]
IDC12-3132A	132.00 [3353]	133.50 [3391]	135.00 [3429]
IDC12-3144A/4144A	144.00 [3658]	145.50 [3696]	147.00 [3734]

PROJECT			
LOCATION			
ARCHITECT			
ENGINEER			REV. A
DWG. NO.	IDC12-AMB3	TITLE:	<b>BERNER</b>
DATE	11DEC2024		MODEL IDC12 AIR CURTAIN AMBIENT SYSTEM - TOP INTAKE
BY	S. Beil		
REPLACES	10JUL2015		
BY	S. Beil		BERNER INTERNATIONAL CORP. NEW CASTLE, PA.



# IDC12 AMBIENT SYSTEM TOP INTAKE



MODEL ⚠	NOZZLE WIDTH "A"	MOUNTING WIDTH "B"	UNIT WIDTH "C"
IDC12-4156A	156.00 [3962]	157.50 [4001]	159.00 [4039]
IDC12-4168A	168.00 [4267]	169.50 [4305]	171.00 [4343]
IDC12-4180A/5180A	180.00 [4572]	181.50 [4610]	183.00 [4648]
IDC12-4192A/5192A	192.00 [4877]	193.50 [4915]	195.00 [4953]

## NOTES:

- ⚠ AIR CURTAIN MUST BE INSTALLED SO AIR STREAM IS NOT OBSTRUCTED WHEN DEFLECTED 20° TO EITHER SIDE OF  $\phi$ .
- ⚡ ELECTRICAL CONNECTIONS TO BE FLEXIBLE.
- ⚠ FIELD VERIFY DIMENSIONS.
- ⚠ ANCHORS TO SUPPORTING STRUCTURE BY OTHERS.
- ⚠ ADEQUACY OF SUPPORTING STRUCTURE IS TO BE VERIFIED BY A PROFESSIONAL STRUCTURAL ENGINEER.
- ⚠ LETTER "A" IN MODEL NUMBER DESIGNATES, AMBIENT UNIT.
- ⚠ STANDARD CONTROL PANEL LEFT HAND MOUNT, OPTIONAL RIGHT HAND MOUNT, OR REMOTE. PLEASE SPECIFY.
- ⚠ DIMENSIONS IN INCHES [MILLIMETERS].

PROJECT			
LOCATION			
ARCHITECT			
ENGINEER			REV. A
DWG. NO.	IDC12-AMB4	TITLE:	<b>BERNER</b>
DATE	11DEC2024	MODEL IDC12 AIR CURTAIN AMBIENT SYSTEM - TOP INTAKE	
BY	S. Beil	BERNER INTERNATIONAL CORP. NEW CASTLE, PA.	
REPLACES	10JUL2015		
BY	S. Beil		