

5 Year Limited Warranty



Tested in accordance with ISO27327-1 in an accredited A2LA laboratory.

MODEL	Nozzle Width (mm)	Max Vel. at Nozzle (m/s)	Avg. Outlet Vel. (m/s)	Air Volume (m³/hr)	Outlet Vel. Uniformity	Power Rating (kW)	Total Motor (kW)	Total AC Motor Amperage (A)	Water Coil Output (kW)	Entering/Leaving Water Temp (°C)	Water Flow Rate (l/s)	Fluid Pressure Drop (kPa)	Air Temp. Rise (°C)	Net Wt. (kg)	
IDC12-1036W	914	21,9	7,3	2141	87%	0,42	0,37	3,50	9,4	60	54	0,4	2,7	13	60
IDC12-1042W	1067	23,5	6,6	2241	89%	0,43	0,37	3,50	10,1	60	53	0,3	2,4	13	52
IDC12-1048W	1219	22,4	5,8	2257	78%	0,44	0,37	3,50	10,4	60	52	0,3	2,0	14	51
IDC12-2060W	1676	20,2	7,7	4150	85%	0,82	0,74	7,00	18,3	60	53	0,6	7,5	13	52
IDC12-2072W	1829	21,9	7,3	4281	87%	0,85	0,74	7,00	19,5	60	52	0,6	8,4	13	52
IDC12-2078W	1981	21,9	6,9	4382	87%	0,86	0,74	7,00	20,4	60	52	0,6	8,5	14	51
IDC12-2084W	2134	23,5	6,6	4482	89%	0,87	0,74	7,00	20,7	60	51	0,6	7,1	14	50
IDC12-2096W	2515	22,4	5,6	4514	78%	0,88	0,74	7,00	22,5	60	51	0,6	8,2	15	50
IDC12-3096W	2515	20,2	7,8	6290	85%	1,25	1,11	10,50	28,5	60	52	0,9	17,3	13	51
IDC12-3108W	2743	21,9	7,3	6422	87%	1,27	1,11	10,50	29,9	60	52	0,9	17,8	14	51
IDC12-3120W	2972	21,9	7,0	6623	87%	1,29	1,11	10,50	31,3	60	51	0,9	18,1	14	51
IDC12-3132W	3353	22,4	6,3	6739	78%	1,31	1,11	10,50	33,5	60	51	0,9	21,5	15	51
IDC12-3144W	3658	22,4	5,8	6770	78%	1,32	1,11	10,50	34,7	60	51	0,9	22,1	15	50
IDC12-4144W	3658	21,9	7,3	8563	87%	1,70	1,48	14,00	40,7	60	52	1,2	34,8	14	51
IDC12-4156W	3962	21,9	6,9	8764	87%	1,72	1,48	14,00	42,5	60	51	1,2	35,7	14	51
IDC12-4168W	4267	23,5	6,6	8965	89%	1,73	1,48	14,00	44,6	60	51	1,3	40,4	15	51
IDC12-4180W	4572	22,4	6,1	8996	78%	1,75	1,48	14,00	45,8	60	51	1,3	41,4	15	50
IDC12-5180W	4572	21,9	7,3	10703	87%	2,12	1,85	17,50	51,2	60	51	1,5	54,2	14	51
IDC12-4192W	4877	22,4	5,8	9027	78%	1,77	1,48	14,00	47,8	60	52	1,4	50,9	16	51
IDC12-5192W	4877	22,4	6,9	10804	78%	2,13	1,85	17,50	53,1	60	51	1,5	60,2	14	51

**NOTES:**

- Performance data based on AMCA licensed data from unheated units.
- Coil performance based on 18°C entering air temperature.
- Standard connection same end supply/return (Optional: opposite end supply/return).
- Coil should be field supplied with a solenoid valve that energizes only when air curtain is energized. Consideration must be taken for freeze protection when necessary.
- Maximum leaving air temperature shall not exceed 49°C
- Consult factory for alternate entering air & water temperatures, Volumetric Flow Rate, opposite end supply/return connections performance data, or vertically mounted

## MODEL NUMBER CONFIGURATION

### IDC12-1 036 W V-F-SS

Series	# of Motors	Opening Width	Heat	Voltage	Intake	Opt. Cabinet Finish
IDC12	1, 2, 3, 4, 5	036" - 192" (914- 4877mm)	W=Hot Water Heated	AC motors only V=230/1/50	T=Top F=Front	SS=Stainless Steel CC=Custom Color

for Standard offering, leave options (Opt.) blank

**STANDARD CONSTRUCTION**

- 0,37 kW single speed motor(s) - direct drive (Optional: three-speed)
- Touchscreen interface with Intelliswitch™ digital controller, includes Berner AIR® BASIC (smart control)
- Gray powder coated exterior with mill aluminum screen and access panels
- Wall & Top Mounting
- Front air intake (Optional: top)
- High efficiency Pro-V Nozzle
- Coil Features:
  - Galvanized steel casing
  - 15,8mm copper tube with 0,9mm wall
  - Aluminum fins
  - Leak tested at 3,1MPa

**OPTIONS**

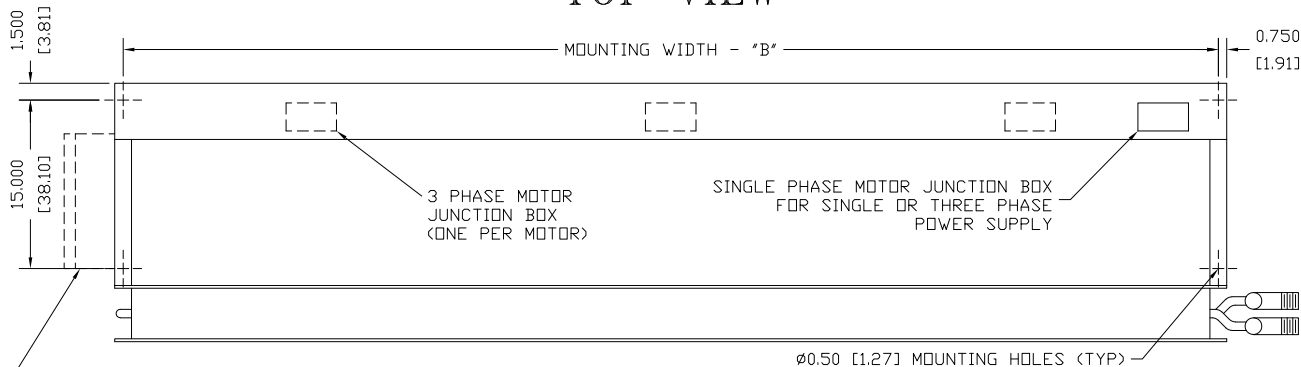
- Custom Color or Stainless
- Berner AIR® BMS (smart control with BACnet and Modbus capabilities)

VELOCITY PROJECTION: Model IDC12-1036W			
Distance from Nozzle (mm)	1000	2000	3000
Core Velocity (m/s)	11,1	7,9	6,7
Uniformity (%)	89%	93%	92%

Sound level measured 10' (3m) from the unit in free field:  
1, 2, 3, 4 & 5 motor(s): 63 dBA, 66 dBA, 68 dBA, 69 dBA & 70 dBA

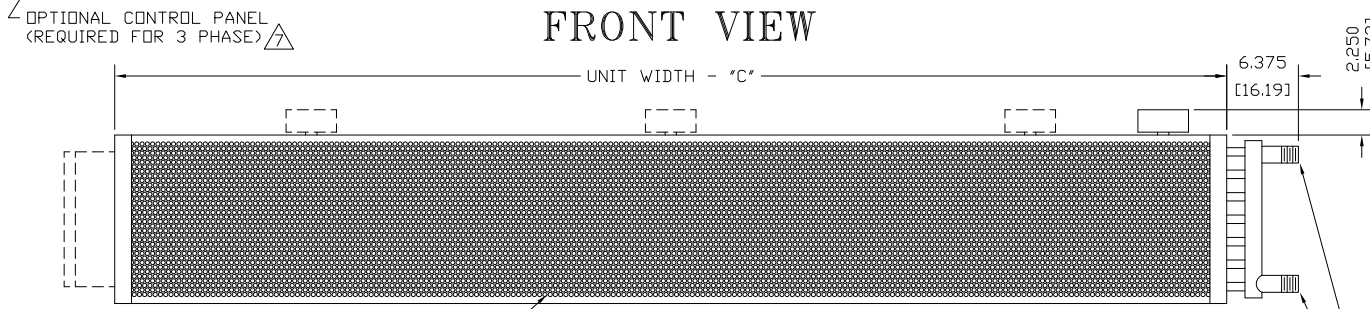
Berner reserves the right to alter specifications without prior notice.

### TOP VIEW

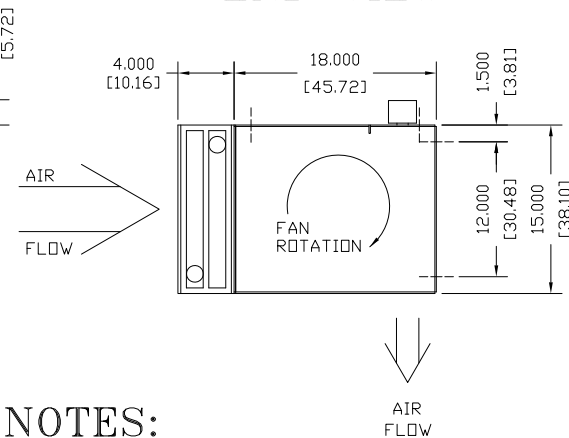


# IDC12 HOT WATER HEATED

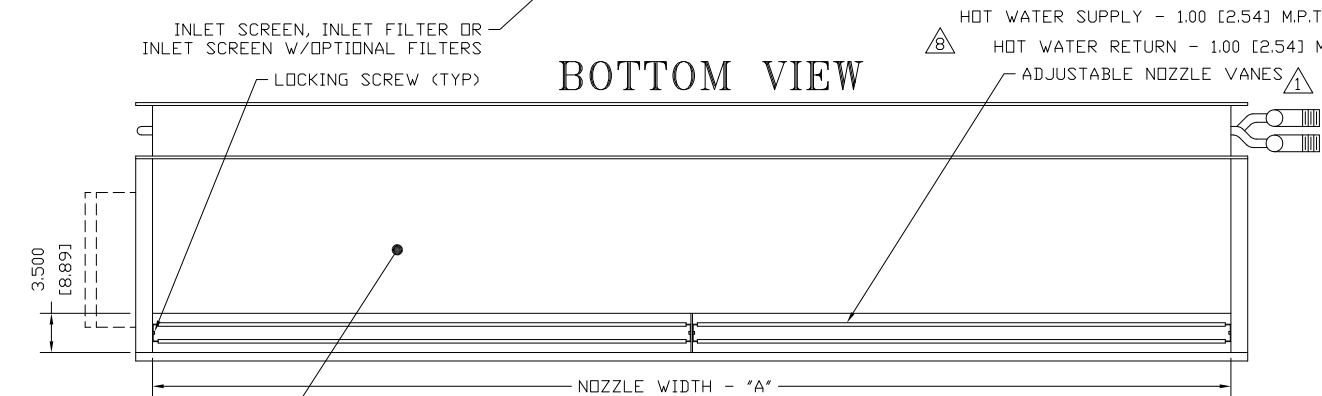
### FRONT VIEW



### END VIEW



### BOTTOM VIEW

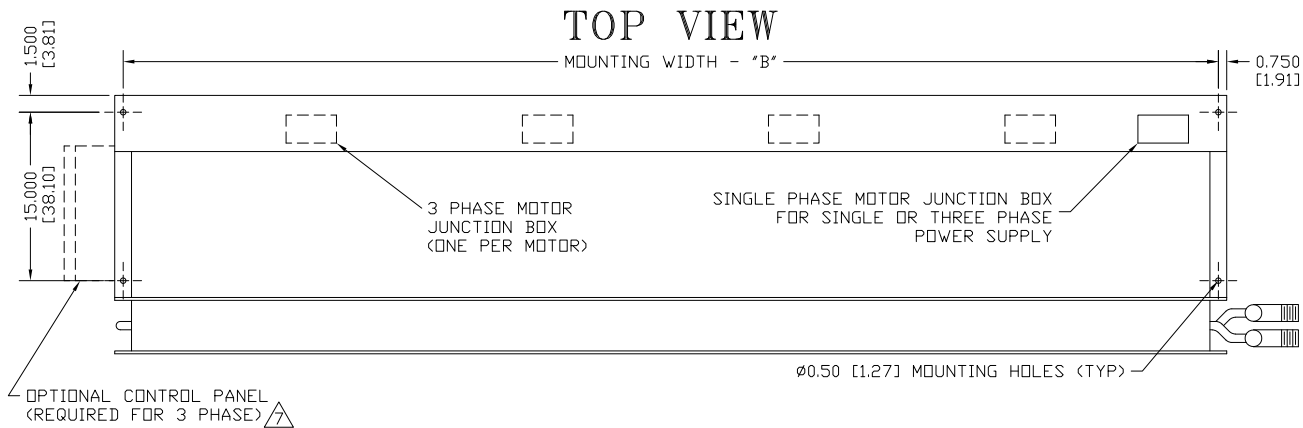


### NOTES:

- ① AIR CURTAIN MUST BE INSTALLED SO AIR STREAM IS NOT OBSTRUCTED WHEN DEFLECTED 20° TO EITHER SIDE OF U.
- ② ELECTRICAL CONNECTIONS TO BE FLEXIBLE.
- ③ FIELD VERIFY DIMENSIONS.
- ④ ANCHORS TO SUPPORTING STRUCTURE BY OTHERS.
- ⑤ ADEQUACY OF SUPPORTING STRUCTURE IS TO BE VERIFIED BY A PROFESSIONAL STRUCTURAL ENGINEER.
- ⑥ LETTER "W" IN MODEL NUMBER DESIGNATES, HOT WATER HEATED UNIT.
- ⑦ STANDARD CONTROL PANEL LEFT HAND MOUNT, OPTIONAL RIGHT HAND MOUNT, OR REMOTE. PLEASE SPECIFY.
- ⑧ COIL CONNECTIONS AS SHOWN, OPPOSITE AND SAME END CONNECTIONS AVAILABLE, PLEASE SPECIFY.
- ⑨ DIMENSIONS IN INCHES (MILLIMETERS).

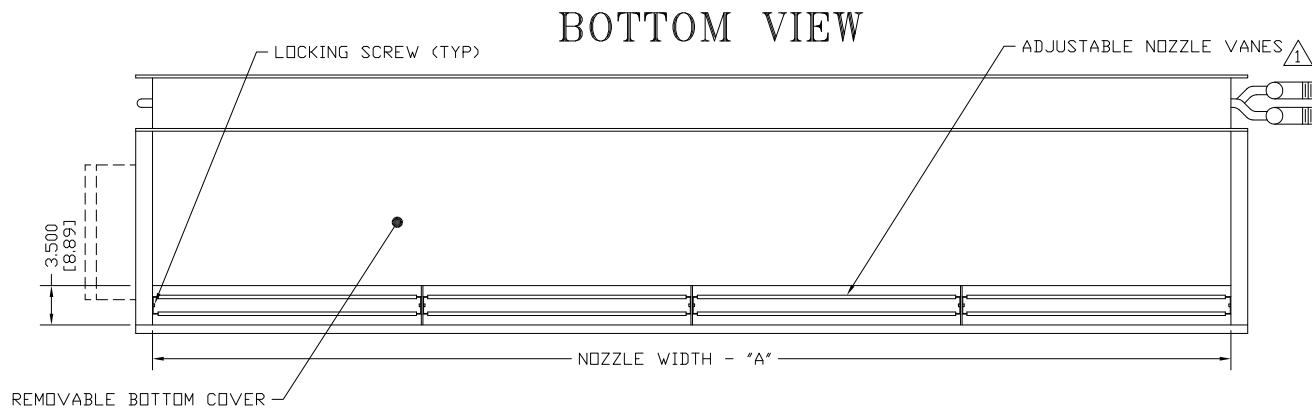
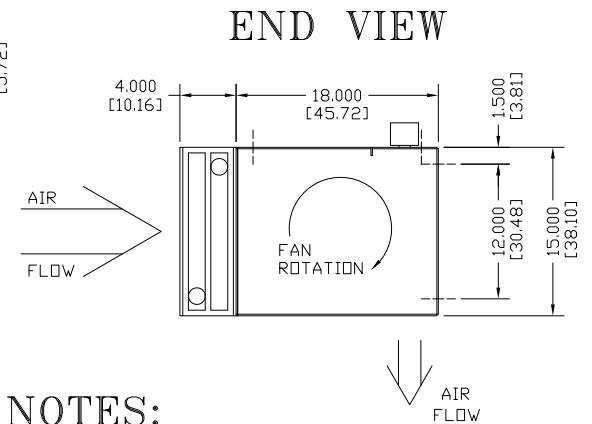
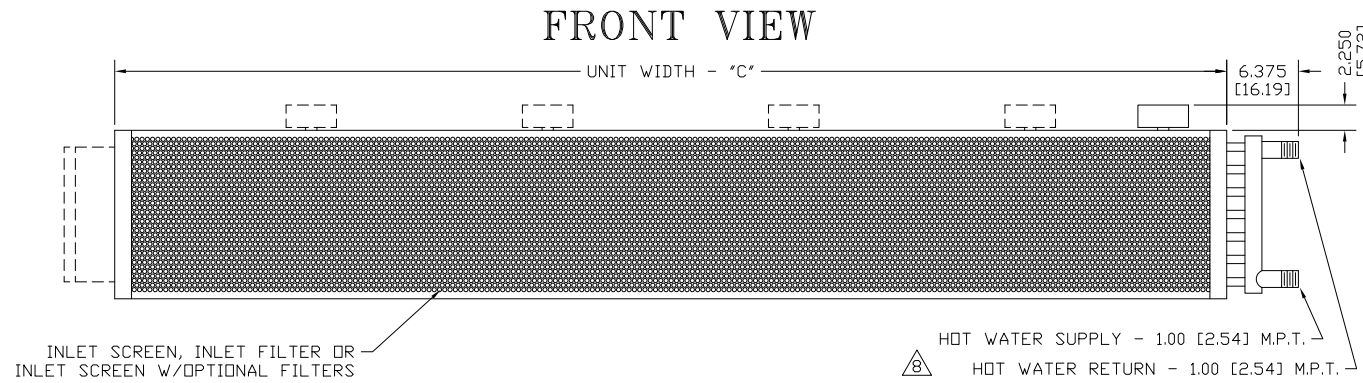
MODEL	NOZZLE WIDTH "A"	MOUNTING WIDTH "B"	UNIT WIDTH "C"
IDC12-1036W	36.00 [914]	37.50 [953]	39.00 [991]
IDC12-1042W	42.00 [1067]	43.50 [1104]	45.00 [1143]
IDC12-1048W	48.00 [1219]	49.50 [1257]	51.00 [1295]
IDC12-2060W	66.00 [1676]	67.50 [1715]	69.00 [1753]
IDC12-2072W	72.00 [1829]	73.50 [1867]	75.00 [1905]
IDC12-2078W	78.00 [1921]	79.50 [2019]	81.00 [2057]
IDC12-2084W	84.00 [2134]	85.50 [2172]	87.00 [2210]
IDC12-2096W/3096W	99.00 [2515]	100.50 [2553]	102.00 [2591]
IDC12-3108W	108.00 [2743]	109.50 [2781]	111.00 [2819]
IDC12-3120W	117.00 [2972]	118.50 [3010]	120.00 [3048]
IDC12-3132W	132.00 [3353]	133.50 [3391]	135.00 [3429]
IDC12-3144W/4144W	144.00 [3658]	145.50 [3696]	147.00 [3734]

PROJECT		
LOCATION		
ARCHITECT		
ENGINEER		REV. A
DWG. NO.	IDC12-WTR1	TITLE: <b>BERNER</b>
DATE	11DEC2024	MODEL IDC12 AIR CURTAIN
BY	S. Beil	HOT WATER HEATED SYSTEM
REPLACES	28MAY2014	BERNER INTERNATIONAL CORP. NEW CASTLE, PA.
BY	S. Beil	



# IDC12

## HOT WATER HEATED



### NOTES:

- ⚠ AIR CURTAIN MUST BE INSTALLED SO AIR STREAM IS NOT OBSTRUCTED WHEN DEFLECTED 20° TO EITHER SIDE OF U.
- ⚠ ELECTRICAL CONNECTIONS TO BE FLEXIBLE.
- ⚠ FIELD VERIFY DIMENSIONS.
- ⚠ ANCHORS TO SUPPORTING STRUCTURE BY OTHERS.
- ⚠ ADEQUACY OF SUPPORTING STRUCTURE IS TO BE VERIFIED BY A PROFESSIONAL STRUCTURAL ENGINEER.
- ⚠ LETTER "W" IN MODEL NUMBER DESIGNATES, HOT WATER HEATED UNIT.
- ⚠ STANDARD CONTROL PANEL LEFT HAND MOUNT, OPTIONAL RIGHT HAND MOUNT, OR REMOTE. PLEASE SPECIFY.
- ⚠ COIL CONNECTIONS AS SHOWN, OPPOSITE AND SAME END CONNECTIONS AVAILABLE, PLEASE SPECIFY.
- ⚠ DIMENSIONS IN INCHES (MILLIMETERS).

MODEL ⚠	NOZZLE WIDTH "A"	MOUNTING WIDTH "B"	UNIT WIDTH "C"
IDC12-4156W	156.00 [3962]	157.50 [4001]	159.00 [4039]
IDC12-4168W	168.00 [4267]	169.50 [4305]	171.00 [4343]
IDC12-4180W/5180W	180.00 [4572]	181.50 [4610]	183.00 [4648]
IDC12-4192W/5192W	192.00 [4877]	193.50 [4915]	195.00 [4953]

PROJECT			
LOCATION			
ARCHITECT			
ENGINEER			REV. A
DWG. NO.	IDC12-WTR2	TITLE:	<b>BERNER</b>
DATE	11DEC2024	MODEL IDC12 AIR CURTAIN	
BY	S. Beil	HOT WATER HEATED SYSTEM	
REPLACES	28MAY2014	BERNER INTERNATIONAL CORP.	
BY	S. Beil	NEW CASTLE, PA.	