

Tested in accordance with ISO27327-1 in an accredited A2LA laboratory.

5 Year Limited Warranty



MODEL	Nozzle Width (mm)	Max Vel. at Nozzle (m/s)	Avg. Outlet Vel. (m/s)	Air Volume (m³/hr)	Outlet Vel. Uniformity	Power Rating (kW)	Total Motor (kW)	Total AC Motor Amperage (A)	Net Wt. (kg)
IDC14-1036A	914	32,0	11,6	3392	87%	0,93	0,74	9,50	47
IDC14-1042A	1067	29,8	10,3	3520	81%	0,93	0,74	9,50	49
IDC14-1048A	1219	30,4	9,2	3589	84%	1,04	0,74	9,50	52
IDC14-2060A	1676	31,8	12,1	6476	97%	1,72	1,48	19,00	79
IDC14-2072A	1829	32,0	11,6	6784	87%	1,87	1,48	19,00	83
IDC14-2078A	1981	29,8	10,9	6912	81%	1,87	1,48	19,00	86
IDC14-2084A	2134	29,8	10,3	7039	81%	1,87	1,48	19,00	88
IDC14-2096A	2515	30,4	8,9	7178	84%	2,08	1,48	19,00	93
IDC14-3096A	2515	32,0	12,3	9868	87%	2,66	2,22	28,50	113
IDC14-3108A	2743	32,0	11,6	10177	87%	2,80	2,22	28,50	132
IDC14-3120A	2972	29,8	11,0	10432	81%	2,80	2,22	28,50	136
IDC14-3132A	3353	29,8	9,9	10628	81%	2,91	2,22	28,50	145
IDC14-3144A	3658	30,4	9,2	10767	84%	3,12	2,22	28,50	151
IDC14-4144A	3658	32,0	11,6	13569	87%	3,73	2,96	38,00	171
IDC14-4156A	3962	29,8	10,9	13824	81%	3,73	2,96	38,00	179
IDC14-4168A	4267	29,8	10,3	14079	81%	3,73	2,96	38,00	184
IDC14-4180A	4572	29,8	9,7	14217	81%	3,95	2,96	38,00	190
IDC14-5180A	4572	32,0	11,6	16961	87%	4,67	3,70	45,00	210
IDC14-4192A	4877	30,4	9,2	14356	84%	4,17	2,96	38,00	195
IDC14-5192A	4877	30,4	10,9	17046	84%	4,74	3,70	45,00	215

MODEL NUMBER CONFIGURATION

IDC14-1 036 A V-F-SS

Series	# of Motors	Opening Width	Heat	Voltage	Intake	Opt. Cabinet Finish
IDC14	1, 2, 3, 4, 5	036" - 192" (914- 4877mm)	A=Ambient	AC motors only V=230/1/50	T=Top F=Front	SS=Stainless Steel CC=Custom Color

STANDARD CONSTRUCTION

- 0,74 kW single speed motor(s) - direct drive (Optional: two-speed)
- Touchscreen interface with Intelliswitch™ digital controller, includes Berner AIR® BASIC (smart control)
- Gray powder coated exterior with mill aluminum screen and access panels
- Wall & Top Mounting
- Front air intake (Optional: top)
- High efficiency Pro-V Nozzle

OPTIONS

- Custom Color or Stainless
- Berner AIR® BMS (smart control with BACnet and Modbus capabilities)

VELOCITY PROJECTION: Model IDC14-1036A

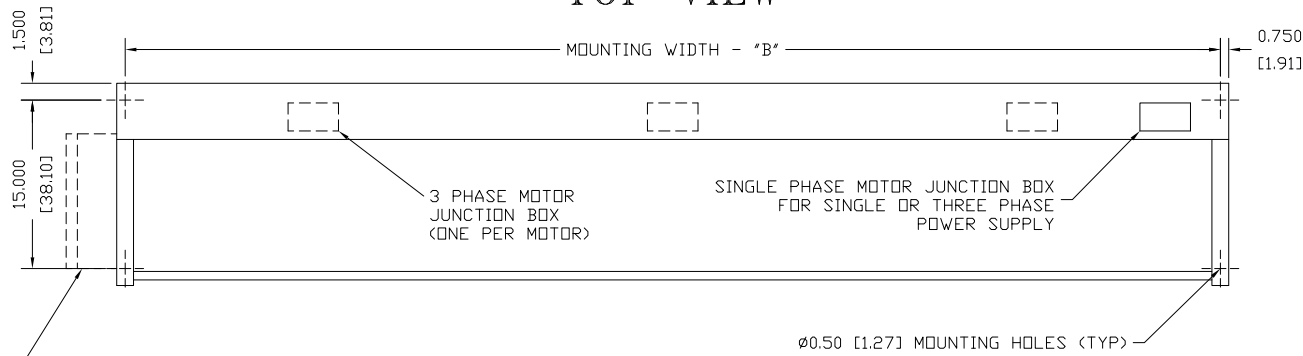
Distance from Nozzle (mm)	1000	2000	3000
Core Velocity (m/s)	16,2	10,4	9,0
Uniformity (%)	95%	85%	96%

Sound level measured 10' (3m) from the unit in free field:
1, 2, 3, 4 & 5 motor(s): 66 dBA, 69 dBA, 71 dBA, 72 dBA & 73 dBA

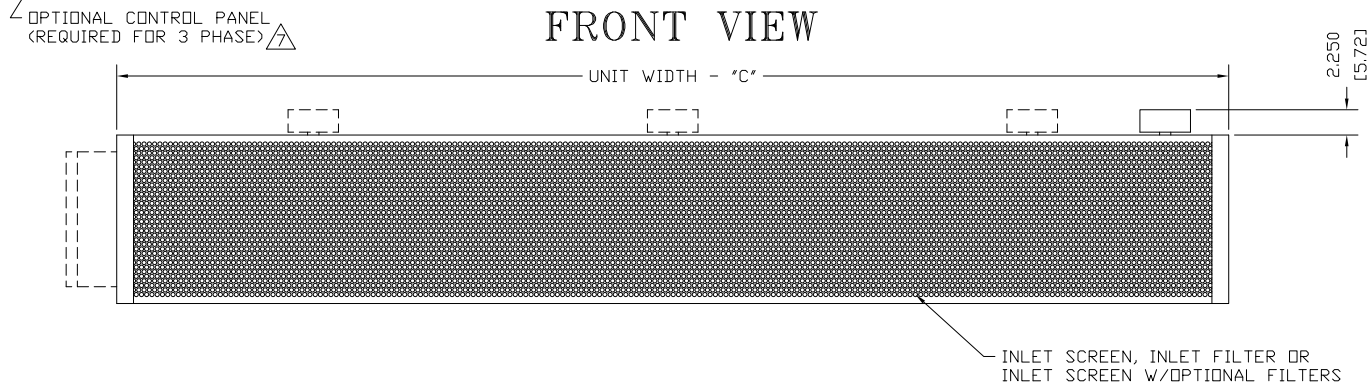
Berner reserves the right to alter specifications without prior notice.

IDC 14 AMBIENT SYSTEM

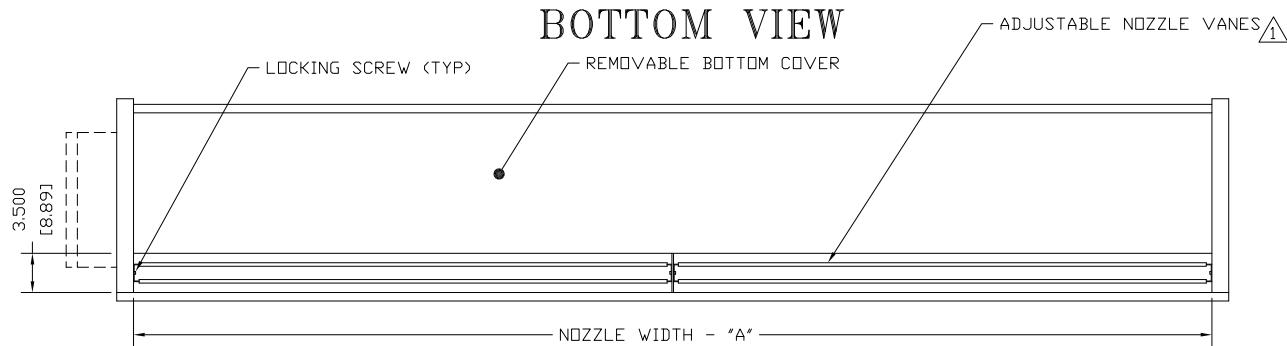
TOP VIEW



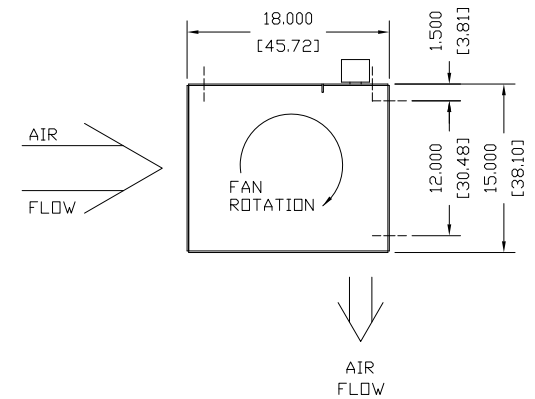
FRONT VIEW



BOTTOM VIEW



END VIEW



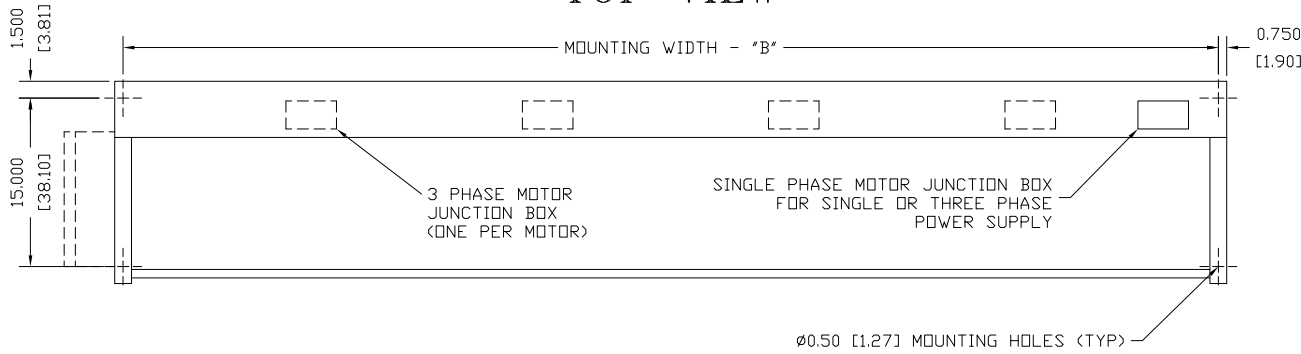
NOTES:

- ① AIR CURTAIN MUST BE INSTALLED SO AIR STREAM IS NOT OBSTRUCTED WHEN DEFLECTED 20° TO EITHER SIDE OF C.
- ② ELECTRICAL CONNECTIONS TO BE FLEXIBLE.
- ③ FIELD VERIFY DIMENSIONS.
- ④ ANCHORS TO SUPPORTING STRUCTURE BY OTHERS.
- ⑤ ADEQUACY OF SUPPORTING STRUCTURE IS TO BE VERIFIED BY A PROFESSIONAL STRUCTURAL ENGINEER.
- ⑥ LETTER "A" IN MODEL NUMBER DESIGNATES, AMBIENT UNIT.
- ⑦ STANDARD CONTROL PANEL LEFT HAND MOUNT, OPTIONAL RIGHT HAND MOUNT, OR REMOTE. PLEASE SPECIFY.
- ⑧ DIMENSIONS IN INCHES (MILLIMETERS).

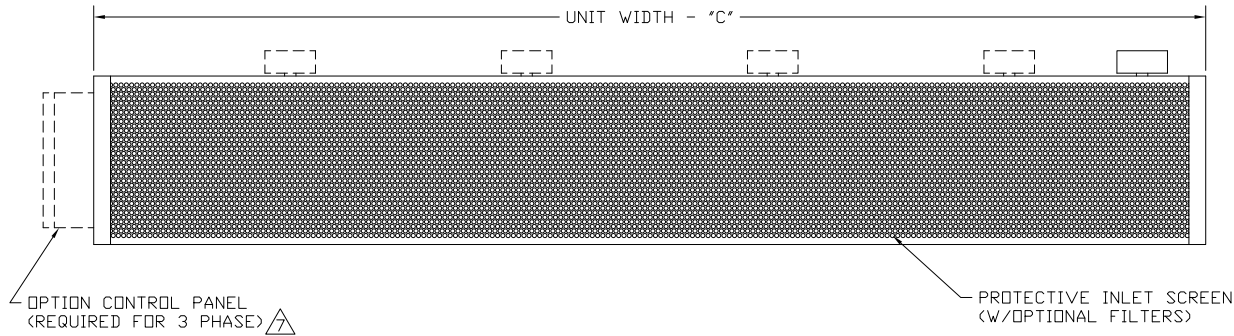
MODEL ⑥	NOZZLE WIDTH "A"	MOUNTING WIDTH "B"	UNIT WIDTH "C"
IDC14-1036A	36.00 [914]	37.50 [953]	39.00 [991]
IDC14-1042A	42.00 [1067]	43.50 [1104]	45.00 [1143]
IDC14-1048A	48.00 [1219]	49.50 [1257]	51.00 [1295]
IDC14-2060A	66.00 [1676]	67.50 [1715]	69.00 [1753]
IDC14-2072A	72.00 [1829]	73.50 [1867]	75.00 [1905]
IDC14-2078A	78.00 [1921]	79.50 [2019]	81.00 [2057]
IDC14-2084A	84.00 [2134]	85.50 [2172]	87.00 [2210]
IDC14-2096A/3096A	99.00 [2515]	100.50 [2553]	102.00 [2591]
IDC14-3108A	108.00 [2743]	109.50 [2781]	111.00 [2819]
IDC14-3120A	117.00 [2972]	118.50 [3010]	120.00 [3048]
IDC14-3132A	132.00 [3353]	133.50 [3391]	135.00 [3429]
IDC14-3144A/4144A	144.00 [3658]	145.50 [3696]	147.00 [3734]

PROJECT			
LOCATION			
ARCHITECT			
ENGINEER			
		REV.	A
DWG. NO.	IDC14-AMB1	TITLE: BERNER	
DATE	11DEC2024	MODEL IDC14 AIR CURTAIN AMBIENT SYSTEM	
BY	S. Beil	BERNER INTERNATIONAL CORP. NEW CASTLE, PA.	
REPLACES	29MAY2014		
BY	S. Beil		

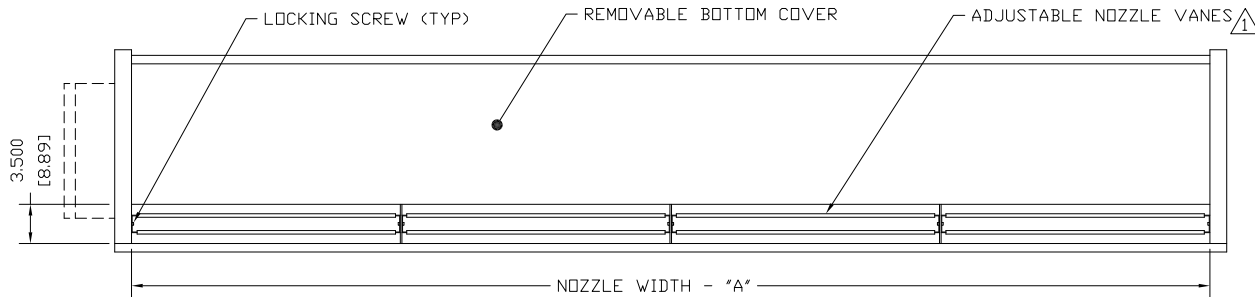
TOP VIEW



FRONT VIEW



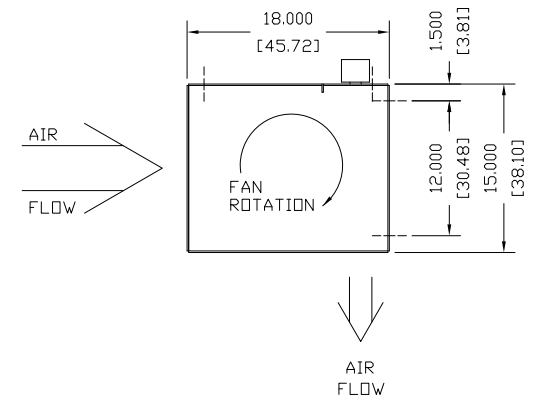
BOTTOM VIEW



MODEL [⚠]	NOZZLE WIDTH "A"	MOUNTING WIDTH "B"	UNIT WIDTH "C"
IDC14-4156A	156.00 [3962]	157.50 [4001]	159.00 [4039]
IDC14-4168A	168.00 [4267]	169.50 [4305]	171.00 [4343]
IDC14-4180A/5180A	180.00 [4572]	181.50 [4610]	183.00 [4648]
IDC14-4192A/5192A	192.00 [4877]	193.50 [4915]	195.00 [4953]

IDC14 AMBIENT SYSTEM

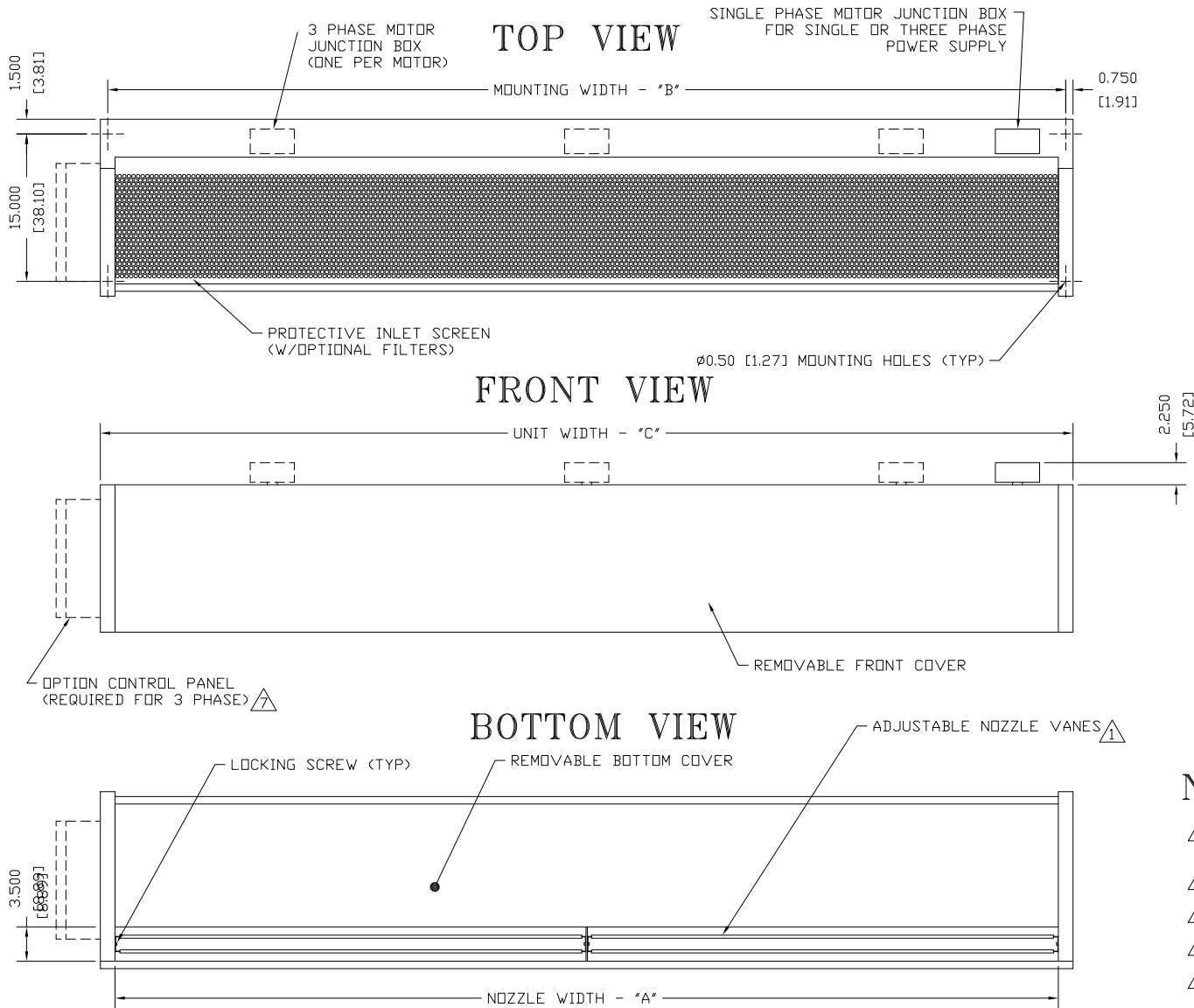
END VIEW



NOTES:

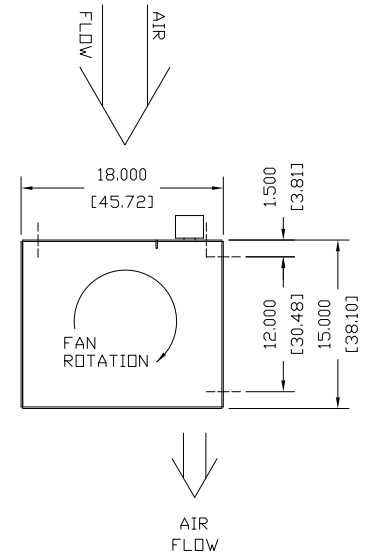
- ⚠ AIR CURTAIN MUST BE INSTALLED SO AIR STREAM IS NOT OBSTRUCTED WHEN DEFLECTED 20° TO EITHER SIDE OF C .
- ⚠ ELECTRICAL CONNECTIONS TO BE FLEXIBLE.
- ⚠ FIELD VERIFY DIMENSIONS.
- ⚠ ANCHORS TO SUPPORTING STRUCTURE BY OTHERS.
- ⚠ ADEQUACY OF SUPPORTING STRUCTURE IS TO BE VERIFIED BY A PROFESSIONAL STRUCTURAL ENGINEER.
- ⚠ LETTER "A" IN MODEL NUMBER DESIGNATES, AMBIENT UNIT.
- ⚠ STANDARD CONTROL PANEL LEFT HAND MOUNT, OPTIONAL RIGHT HAND MOUNT, OR REMOTE. PLEASE SPECIFY.
- ⚠ DIMENSIONS IN INCHES (MILLIMETERS).

PROJECT			
LOCATION			
ARCHITECT			
ENGINEER			REV. A
DWG. NO.	IDC14-AMB2	TITLE:	BERNER
DATE	11DEC2024	MODEL IDC14 AIR CURTAIN AMBIENT SYSTEM	
BY	S. Beil		
REPLACES	29MAY2014		
BY	S. Beil	BERNER INTERNATIONAL CORP. NEW CASTLE, PA.	



IDC14 AMBIENT SYSTEM TOP INTAKE

END VIEW

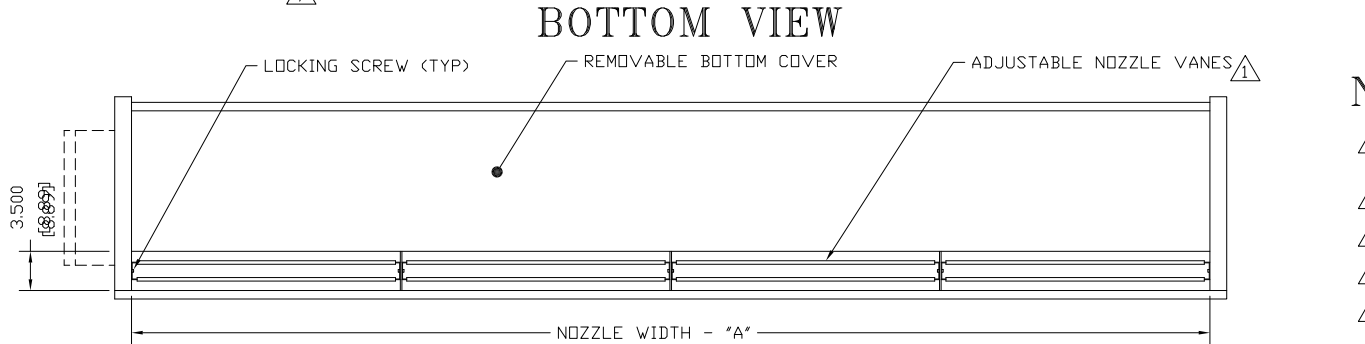
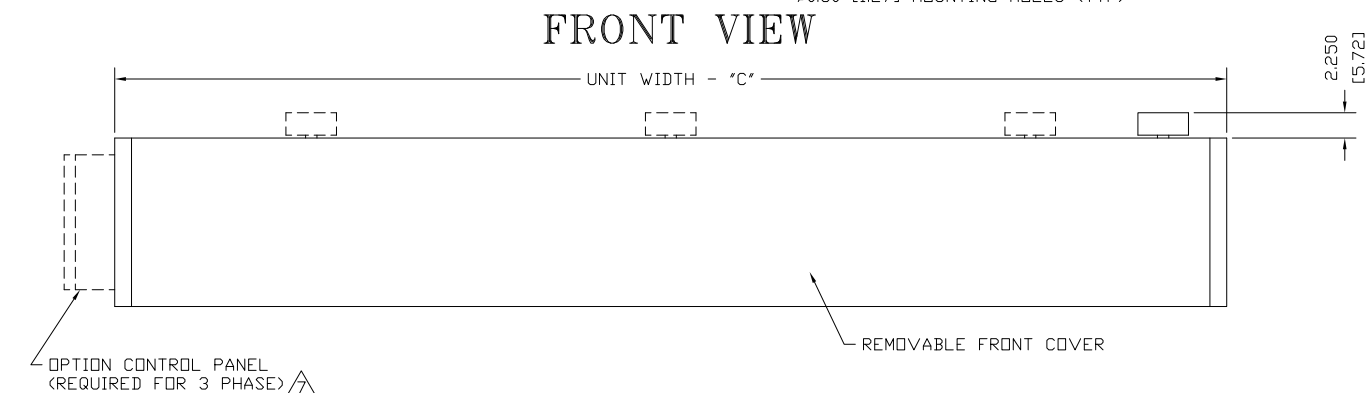
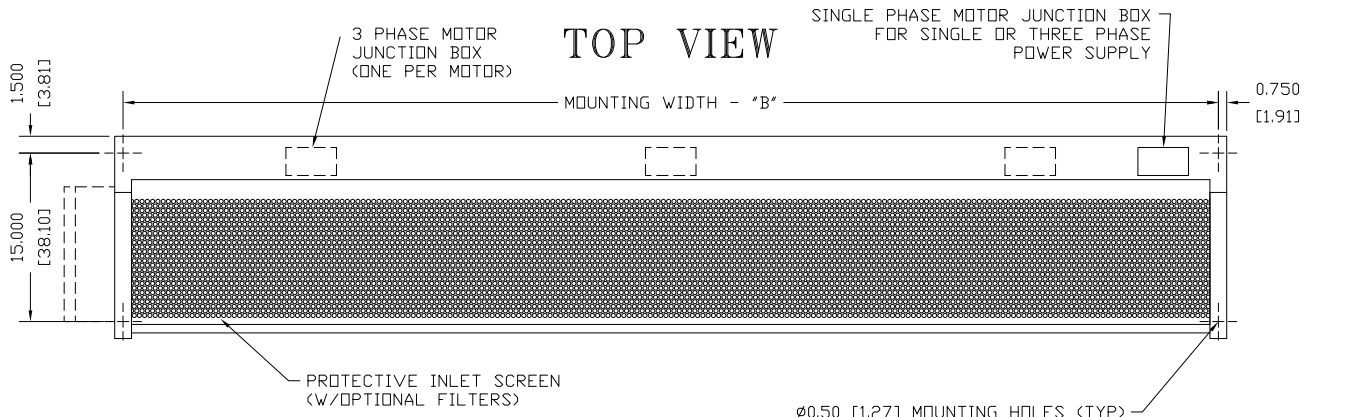


NOTES:

- ① AIR CURTAIN MUST BE INSTALLED SO AIR STREAM IS NOT OBSTRUCTED WHEN DEFLECTED 20° TO EITHER SIDE OF C.
- ② ELECTRICAL CONNECTIONS TO BE FLEXIBLE.
- ③ FIELD VERIFY DIMENSIONS.
- ④ ANCHORS TO SUPPORTING STRUCTURE BY OTHERS.
- ⑤ ADEQUACY OF SUPPORTING STRUCTURE IS TO BE VERIFIED BY A PROFESSIONAL STRUCTURAL ENGINEER.
- ⑥ LETTER "A" IN MODEL NUMBER DESIGNATES, AMBIENT UNIT.
- ⚠ STANDARD CONTROL PANEL LEFT HAND MOUNT, OPTIONAL RIGHT HAND MOUNT, OR REMOTE. PLEASE SPECIFY.
- ⑧ DIMENSIONS IN INCHES (MILLIMETERS).

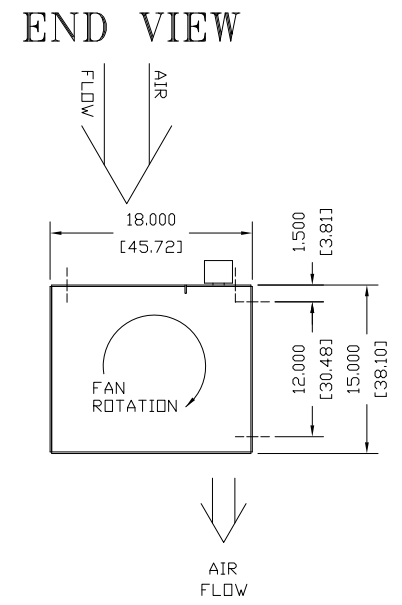
MODEL ⚠	NOZZLE WIDTH "A"	MOUNTING WIDTH "B"	UNIT WIDTH "C"
IDC14-1036A	36.00 [914]	37.50 [953]	39.00 [991]
IDC14-1042A	42.00 [1067]	43.50 [1104]	45.00 [1143]
IDC14-1048A	48.00 [1219]	49.50 [1257]	51.00 [1295]
IDC14-2060A	66.00 [1676]	67.50 [1715]	69.00 [1753]
IDC14-2072A	72.00 [1829]	73.50 [1867]	75.00 [1905]
IDC14-2078A	78.00 [1921]	79.50 [2019]	81.00 [2057]
IDC14-2084A	84.00 [2134]	85.50 [2172]	87.00 [2210]
IDC14-2096A/3096A	99.00 [2515]	100.50 [2553]	102.00 [2591]
IDC14-3108A	108.00 [2743]	109.50 [2781]	111.00 [2819]
IDC14-3120A	117.00 [2972]	118.50 [3010]	120.00 [3048]
IDC14-3132A	132.00 [3353]	133.50 [3391]	135.00 [3429]
IDC14-3144A/4144A	144.00 [3658]	145.50 [3696]	147.00 [3734]

PROJECT			
LOCATION			
ARCHITECT			
ENGINEER			REV. A
DWG. NO.	IDC14-AMB3	TITLE:	BERNER
DATE	11DEC2024	MODEL IDC14 AIR CURTAIN AMBIENT SYSTEM	
BY	S. Beil		
REPLACES	10JULY2015		
BY	S. Beil	BERNER INTERNATIONAL CORP. NEW CASTLE, PA.	



MODEL [△]	NOZZLE WIDTH "A"	MOUNTING WIDTH "B"	UNIT WIDTH "C"
IDC14-4156A	156.00 [3962]	157.50 [4001]	159.00 [4039]
IDC14-4168A	168.00 [4267]	169.50 [4305]	171.00 [4343]
IDC14-4180A/5180A	180.00 [4572]	181.50 [4610]	183.00 [4648]
IDC14-4192A/5192A	192.00 [4877]	193.50 [4915]	195.00 [4953]

IDC 14 AMBIENT SYSTEM TOP INTAKE



NOTES:

- ① AIR CURTAIN MUST BE INSTALLED SO AIR STREAM IS NOT OBSTRUCTED WHEN DEFLECTED 20° TO EITHER SIDE OF C.
- ② ELECTRICAL CONNECTIONS TO BE FLEXIBLE.
- ③ FIELD VERIFY DIMENSIONS.
- ④ ANCHORS TO SUPPORTING STRUCTURE BY OTHERS.
- ⑤ ADEQUACY OF SUPPORTING STRUCTURE IS TO BE VERIFIED BY A PROFESSIONAL STRUCTURAL ENGINEER.
- ⑥ LETTER "A" IN MODEL NUMBER DESIGNATES, AMBIENT UNIT.
- ⑦ STANDARD CONTROL PANEL LEFT HAND MOUNT, OPTIONAL RIGHT HAND MOUNT, OR REMOTE. PLEASE SPECIFY.
- ⑧ DIMENSIONS IN INCHES (MILLIMETERS).

PROJECT		
LOCATION		
ARCHITECT		
ENGINEER		REV. A
DWG. NO.	IDC14-AMB4	TITLE: BERNER
DATE	11DEC2024	MODEL IDC14 AIR CURTAIN AMBIENT SYSTEM
BY	S. Beil	
REPLACES	10JULY2015	
BY	S. Beil	BERNER INTERNATIONAL CORP. NEW CASTLE, PA.