

Tested in accordance with ISO27327-1 in an accredited A2LA laboratory.

5 Year Limited Warranty



MODEL	Nozzle Width (mm)	Max Vel. at Nozzle (m/s)	Avg. Outlet Vel. (m/s)	Air Volume (m³/hr)	Outlet Vel. Uniformity	Power Rating (kW)	Total Motor (kW)	Total AC Motor Amperage (A)	Water Coil Output (kW)	Entering/Leaving Water Temp (°C)	Water Flow Rate (l/s)	Fluid Pressure Drop (kPa)	Air Temp. Rise (°C)	Net Wt. (kg)
IDC14-1036W	914	32,0	11,6	3392	87%	0,93	0,74	9,50	12,5	60 / 55	0,6	6,1	11	62
IDC14-1042W	1067	29,8	10,3	3520	81%	0,93	0,74	9,50	13,7	60 / 54	0,6	6,2	11	54
IDC14-1048W	1219	30,4	9,2	3589	84%	1,04	0,74	9,50	13,9	60 / 52	0,4	3,9	11	52
IDC14-2060W	1676	31,8	12,1	6476	97%	1,72	1,48	19,00	24,8	60 / 54	1,0	20,6	11	54
IDC14-2072W	1829	32,0	11,6	6784	87%	1,87	1,48	19,00	26,0	60 / 53	0,9	18,5	11	53
IDC14-2078W	1981	29,8	10,9	6912	81%	1,87	1,48	19,00	27,2	60 / 53	0,9	18,8	12	52
IDC14-2084W	2134	29,8	10,3	7039	81%	1,87	1,48	19,00	28,4	60 / 53	0,9	19,1	12	52
IDC14-2096W	2515	30,4	8,9	7178	84%	2,08	1,48	19,00	30,7	60 / 52	0,9	19,8	13	51
IDC14-3096W	2515	32,0	12,3	9868	87%	2,66	2,22	28,50	37,8	60 / 53	1,3	38,1	11	53
IDC14-3108W	2743	32,0	11,6	10177	87%	2,80	2,22	28,50	39,6	60 / 53	1,3	37,2	11	52
IDC14-3120W	2972	29,8	11,0	10432	81%	2,80	2,22	28,50	42,1	60 / 53	1,4	43,5	12	52
IDC14-3132W	3353	29,8	9,9	10628	81%	2,91	2,22	28,50	45,0	60 / 52	1,5	49,0	12	52
IDC14-3144W	3658	30,4	9,2	10767	84%	3,12	2,22	28,50	47,4	60 / 52	1,5	54,7	13	52
IDC14-4144W	3658	32,0	11,6	13569	87%	3,73	2,96	38,00	54,1	60 / 53	1,8	73,7	12	52
IDC14-4156W	3962	29,8	10,9	13824	81%	3,73	2,96	38,00	64,3	60 / 52	2,0	71,6	14	52
IDC14-4168W	4267	29,8	10,3	14079	81%	3,73	2,96	38,00	66,7	60 / 52	2,0	72,3	14	51
IDC14-4180W	4572	29,8	9,7	14217	81%	3,95	2,96	38,00	69,2	60 / 52	2,1	77,5	14	51
IDC14-5180W	4572	32,0	11,6	16961	87%	4,67	3,70	45,00	77,1	60 / 52	2,3	97,1	13	51
IDC14-4192W	4877	30,4	9,2	14356	84%	4,17	2,96	38,00	72,1	60 / 52	2,3	92,8	15	52
IDC14-5192W	4877	30,4	10,9	17046	84%	4,74	3,70	45,00	79,5	60 / 52	2,4	103,3	14	51

NOTES:

- Performance data based on AMCA licensed data from unheated units.
- Coil performance based on 18°C entering air temperature.
- Standard connection same end supply/return (Optional: opposite end supply/return).
- Coil should be field supplied with a solenoid valve that energizes only when air curtain is energized. Consideration must be taken for freeze protection when necessary.
- Maximum leaving air temperature shall not exceed 49°C
- Consult factory for alternate entering air & water temperatures, Volumetric Flow Rate, opposite end supply/return connections performance data, or vertically mounted

MODEL NUMBER CONFIGURATION

IDC14-1 036 W V-F-SS

Series	# of Motors	Opening Width	Heat	Voltage	Intake	Opt. Cabinet Finish
IDC14	1, 2, 3, 4, 5	036" - 192" (914- 4877mm)	W=Hot Water Heated	AC motors only V=230/1/50	T=Top F=Front	SS=Stainless Steel CC=Custom Color

for Standard offering, leave options (Opt.) blank

STANDARD CONSTRUCTION

- 0,74 kW single speed motor(s) - direct drive (Optional: two-speed)
- Touchscreen interface with Intelliswitch™ digital controller, includes Berner AIR® BASIC (smart control)
- Gray powder coated exterior with mill aluminum screen and access panels
- Wall & Top Mounting
- Front air intake (Optional: top)
- High efficiency Pro-V Nozzle
- Coil Features:
 - Galvanized steel casing
 - 15,8mm copper tube with 0,9mm wall
 - Aluminum fins
 - Leak tested at 3,1MPa

OPTIONS

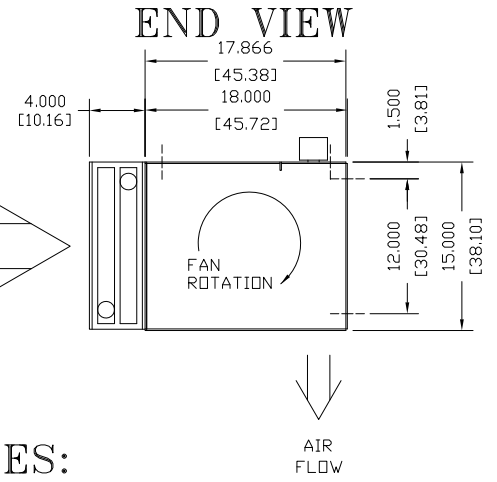
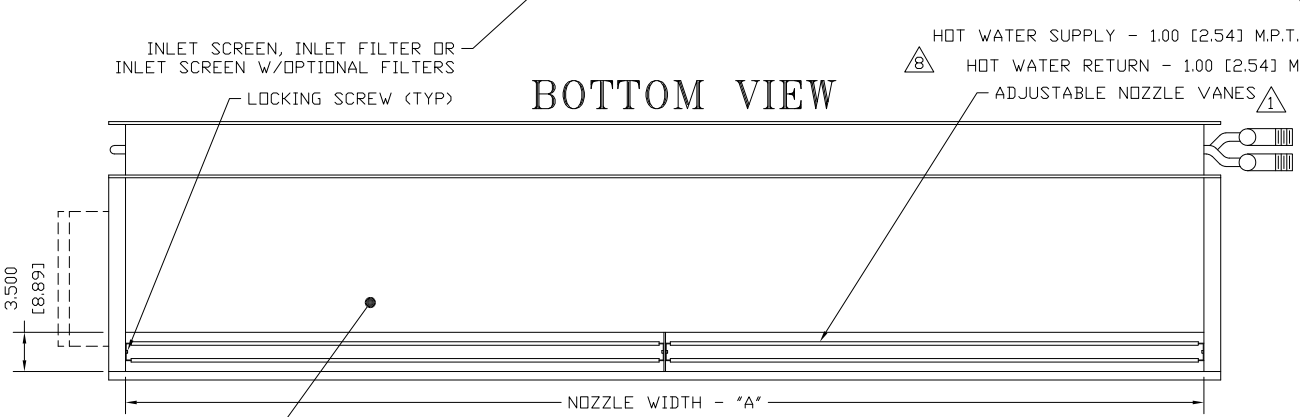
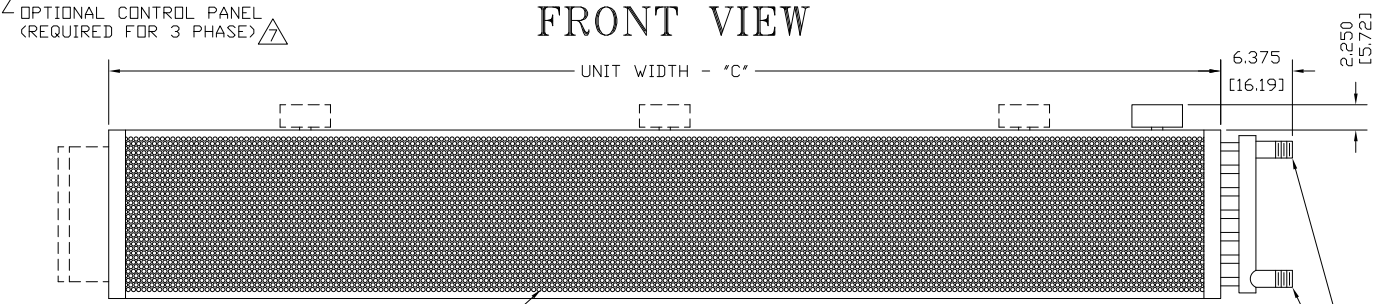
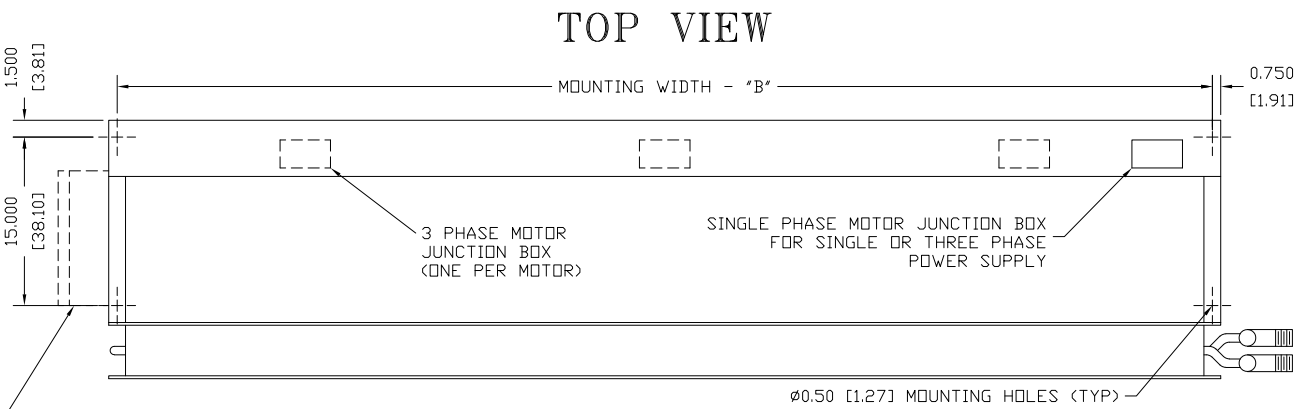
- Custom Color or Stainless
- Berner AIR® BMS (smart control with BACnet and Modbus capabilities)

Berner reserves the right to alter specifications without prior notice.

VELOCITY PROJECTION: Model IDC14-1036W			
Distance from Nozzle (mm)	1000	2000	3000
Core Velocity (m/s)	16,2	10,4	9,0
Uniformity (%)	95%	85%	96%

Sound level measured 10' (3m) from the unit in free field:
1, 2, 3, 4 & 5 motor(s): 66 dBA, 69 dBA, 71 dBA, 72 dBA & 73 dBA

IDC14 HOT WATER HEATED



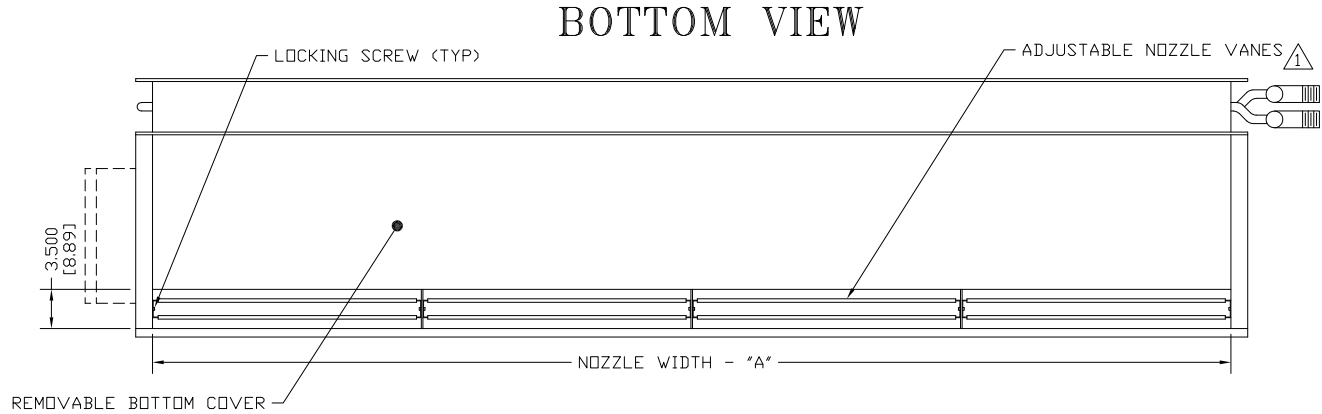
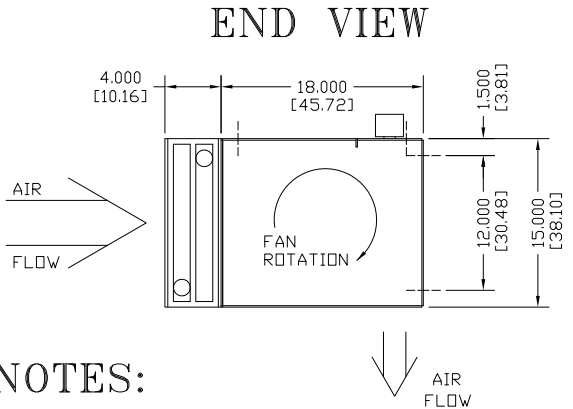
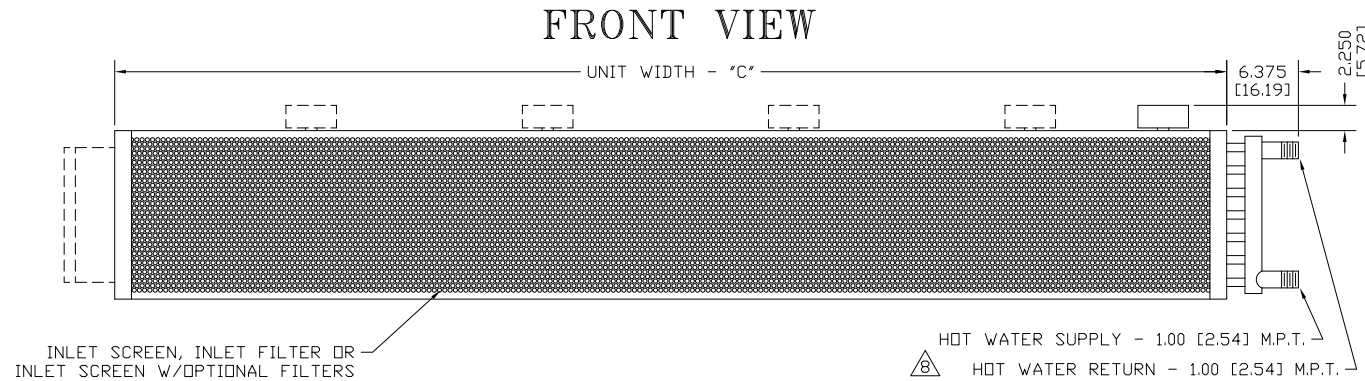
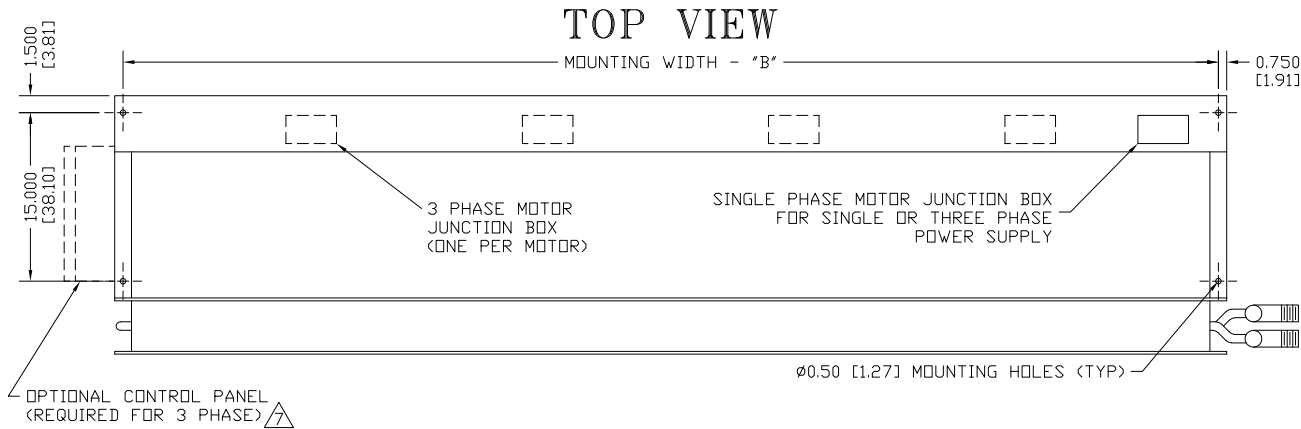
NOTES:

- ① AIR CURTAIN MUST BE INSTALLED SO AIR STREAM IS NOT OBSTRUCTED WHEN DEFLECTED 20° TO EITHER SIDE OF C.
- ② ELECTRICAL CONNECTIONS TO BE FLEXIBLE.
- ③ FIELD VERIFY DIMENSIONS.
- ④ ANCHORS TO SUPPORTING STRUCTURE BY OTHERS.
- ⑤ ADEQUACY OF SUPPORTING STRUCTURE IS TO BE VERIFIED BY A PROFESSIONAL STRUCTURAL ENGINEER.
- ⑥ LETTER "W" IN MODEL NUMBER DESIGNATES, HOT WATER HEATED UNIT.
- ⑦ STANDARD CONTROL PANEL LEFT HAND MOUNT, OPTIONAL RIGHT HAND MOUNT, OR REMOTE. PLEASE SPECIFY.
- ⑧ COIL CONNECTIONS AS SHOWN, OPPOSITE AND SAME END CONNECTIONS AVAILABLE, PLEASE SPECIFY.
- ⑨ DIMENSIONS IN INCHES (MILLIMETERS).

MODEL ⑥	NOZZLE WIDTH "A"	MOUNTING WIDTH "B"	UNIT WIDTH "C"
IDC14-1036W	36.00 [914]	37.50 [953]	39.00 [991]
IDC14-1042W	42.00 [1067]	43.50 [1104]	45.00 [1143]
IDC14-1048W	48.00 [1219]	49.50 [1257]	51.00 [1295]
IDC14-2060W	66.00 [1676]	67.50 [1715]	69.00 [1753]
IDC14-2072W	72.00 [1829]	73.50 [1867]	75.00 [1905]
IDC14-2078W	78.00 [1921]	79.50 [2019]	81.00 [2057]
IDC14-2084W	84.00 [2134]	85.50 [2172]	87.00 [2210]
IDC14-2096W/3096W	99.00 [2515]	100.50 [2553]	102.00 [2591]
IDC14-3108W	108.00 [2743]	109.50 [2781]	111.00 [2819]
IDC14-3120W	117.00 [2972]	118.50 [3010]	120.00 [3048]
IDC14-3132W	132.00 [3353]	133.50 [3391]	135.00 [3429]
IDC14-3144W/4144W	144.00 [3658]	145.50 [3696]	147.00 [3734]

PROJECT		
LOCATION		
ARCHITECT		
ENGINEER		REV. A
DWG. NO.	IDC14-WTR1	TITLE: BERNER
DATE	11DEC2024	MODEL IDC14 AIR CURTAIN
BY	S. Beil	HOT WATER HEATED SYSTEM
REPLACES	29MAY2014	
BY	S. Beil	BERNER INTERNATIONAL CORP. NEW CASTLE, PA.

IDC14 HOT WATER HEATED



- NOTES:**
- ⚠ AIR CURTAIN MUST BE INSTALLED SO AIR STREAM IS NOT OBSTRUCTED WHEN DEFLECTED 20° TO EITHER SIDE OF U.
 - ⚠ ELECTRICAL CONNECTIONS TO BE FLEXIBLE.
 - ⚠ FIELD VERIFY DIMENSIONS.
 - ⚠ ANCHORS TO SUPPORTING STRUCTURE BY OTHERS.
 - ⚠ ADEQUACY OF SUPPORTING STRUCTURE IS TO BE VERIFIED BY A PROFESSIONAL STRUCTURAL ENGINEER.
 - ⚠ LETTER "W" IN MODEL NUMBER DESIGNATES, HOT WATER HEATED UNIT.
 - ⚠ STANDARD CONTROL PANEL LEFT HAND MOUNT, OPTIONAL RIGHT HAND MOUNT, OR REMOTE. PLEASE SPECIFY.
 - ⚠ COIL CONNECTIONS AS SHOWN, OPPOSITE AND SAME END CONNECTIONS AVAILABLE, PLEASE SPECIFY.
 - ⚠ DIMENSIONS IN INCHES (MILLIMETERS).

MODEL ⚠	NOZZLE WIDTH "A"	MOUNTING WIDTH "B"	UNIT WIDTH "C"
IDC14-4156W	156.00 [3962]	157.50 [4001]	159.00 [4039]
IDC14-4168W	168.00 [4267]	169.50 [4305]	171.00 [4343]
IDC14-4180W/5180W	180.00 [4572]	181.50 [4610]	183.00 [4648]
IDC14-4192W/5192W	192.00 [4877]	193.50 [4915]	195.00 [4953]

PROJECT			
LOCATION			
ARCHITECT			
ENGINEER			REV. A
DWG. NO.	IDC14-WTR2	TITLE:	BERNER
DATE	11DEC2024	MODEL IDC14 AIR CURTAIN	
BY	S. Beil	HOT WATER HEATED SYSTEM	
REPLACES	29MAY2014	BERNER INTERNATIONAL CORP.	
BY	S. Beil	NEW CASTLE, PA.	